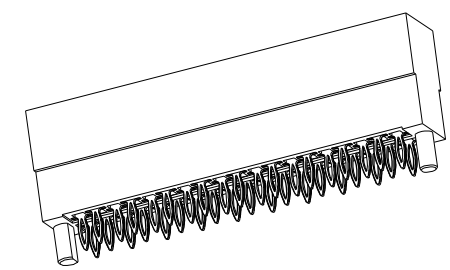
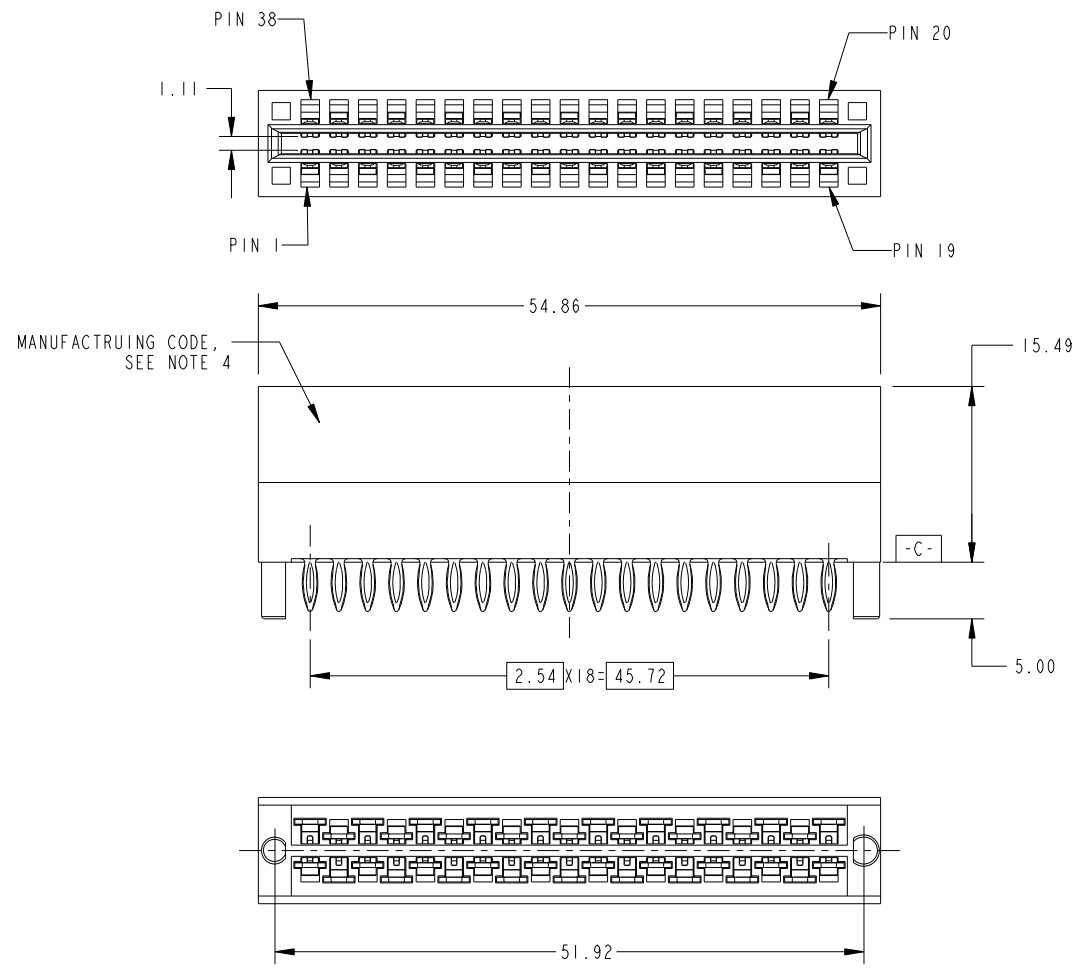




FCI CONFIDENTIAL

This document is the property of and embodies CONFIDENTIAL and PROPRIETARY information of FCI. No part of the information shown on this document may be used in any way or disclosed to others without the written consent of FCI. Copyright FCI.



SCALE 1:1

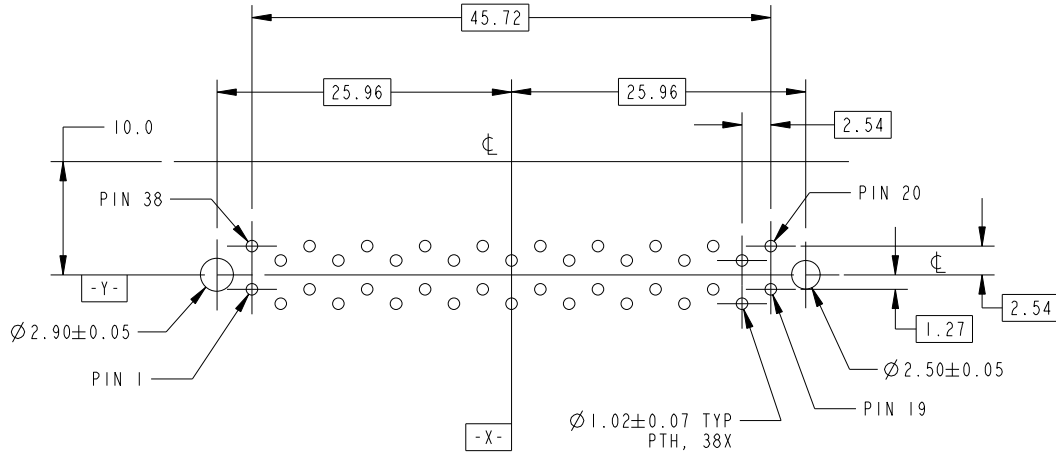
Mark with
10075664-004
REV. 1
in area indicated
by X.....

rev	ecn no	dr	date
A	DG08-0170	JW	07/01/08
-	-	-	-
-	-	-	-

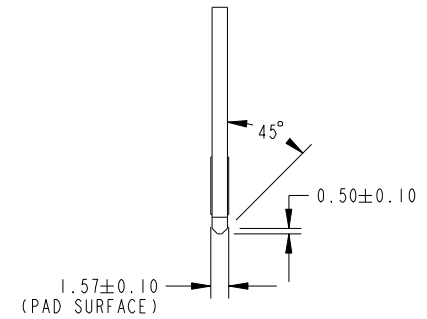
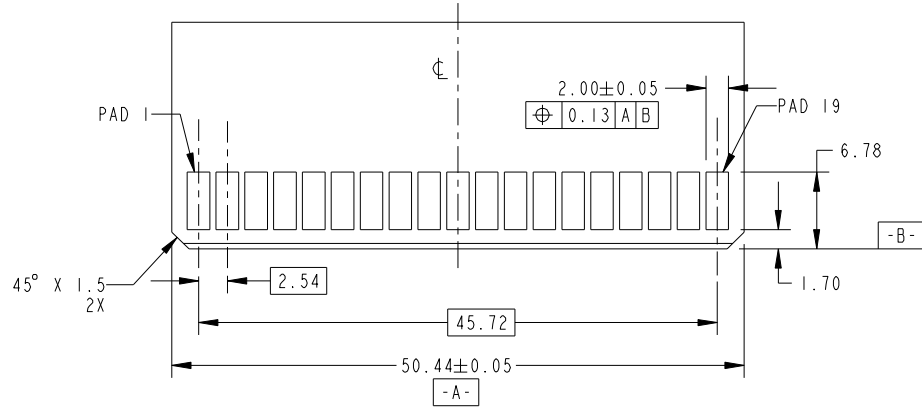
TOLERANCES UNLESS OTHERWISE SPECIFIED			
LINEAR	0.X	±0.5	-
	0.XX	±0.25	-
	0.XXX	±0.050	-
ANGULAR	0°	±2°	-

Material		SEE NOTE		Spec ref		*	
Mat code				tolerance		projection	
Heattreat				ISO 406		MM	
Plating/Finish				ISO 1101		←	
Dr	JULIA WANG	07/01/08			size		Scale
Eng	JULIA WANG	07/01/08	Product family		A4		3:2
Chr	GARY HSIEH	07/01/08	Model Name		10075664-004		ECN
Appr	JOSEPH HSIA	07/01/08	Model Revision		A		REL Level
FCI		title		10075664		Rev.	
Pro/E file		catalog no		10075664		A	
				CUSTOMER COPY		sheet 1 of 2	

REV F: 2006-04-17



RECOMMENDED PCB LAYOUT
PCB THICKNESS: 3.18mm



CONNECTOR NOTE:

1. HOUSING MATERIAL: HIGH TEMPERATURE THERMOPLASTIC
UL 94V-0, FLAME RETARDANT
2. TERMINAL: COPPER ALLOY
3. PLATING:
Ni: 50u"/1.27um UNDER PLATED
Au: 30u"/0.76um ON CONTACT AREA (ONE SIDE)
Sn: 50u"/1.27um ON PRESS FIT TAIL
4. MANUFACTURING CODE PLEASE REFERENCE FCI SPECIFICATION GS-24-007.

PCB NOTE:

5. ALL THROUGH HOLES ARE LOCATED WITH A TRUE POSITION OF 0.1mm.
6. ALL DIAMETERS ARE FINISHED HLD SIZES.
7. Ø1.15mm DRILLED HOLES, PLATED WITH 0.007mm MIN. HASL-FREE Pb.
OVER 1.03mm TO 0.08mm Cu PLATING TO ACHIEVE A 1.02±0.07mm HOLE.

Material		SEE NOTE		Spec ref		*	
Mat code				tolerance		projection	
Heat treat				ISO 1101		MM	
Plating/Finish				ISO 1302		ISO 406	
Dr	JULIA WANG	04/01/08			size		Scale
Eng	JULIA WANG	04/01/08	Product family		A4		2:1
Chr	GARY HSIEH	04/01/08	Model Name		10075664-004		ECN
Appr	JOSEPH HSIA	04/01/08	Model Revision		A		REL Level
FCI		PRESS FIT TYPE		dwg no		10075664-004	
		POWER EDGE CONNECTOR				Rev.	
Pro/E file		catalog no		10075664		CUSTOMER COPY	
						sheet 2 of 2	