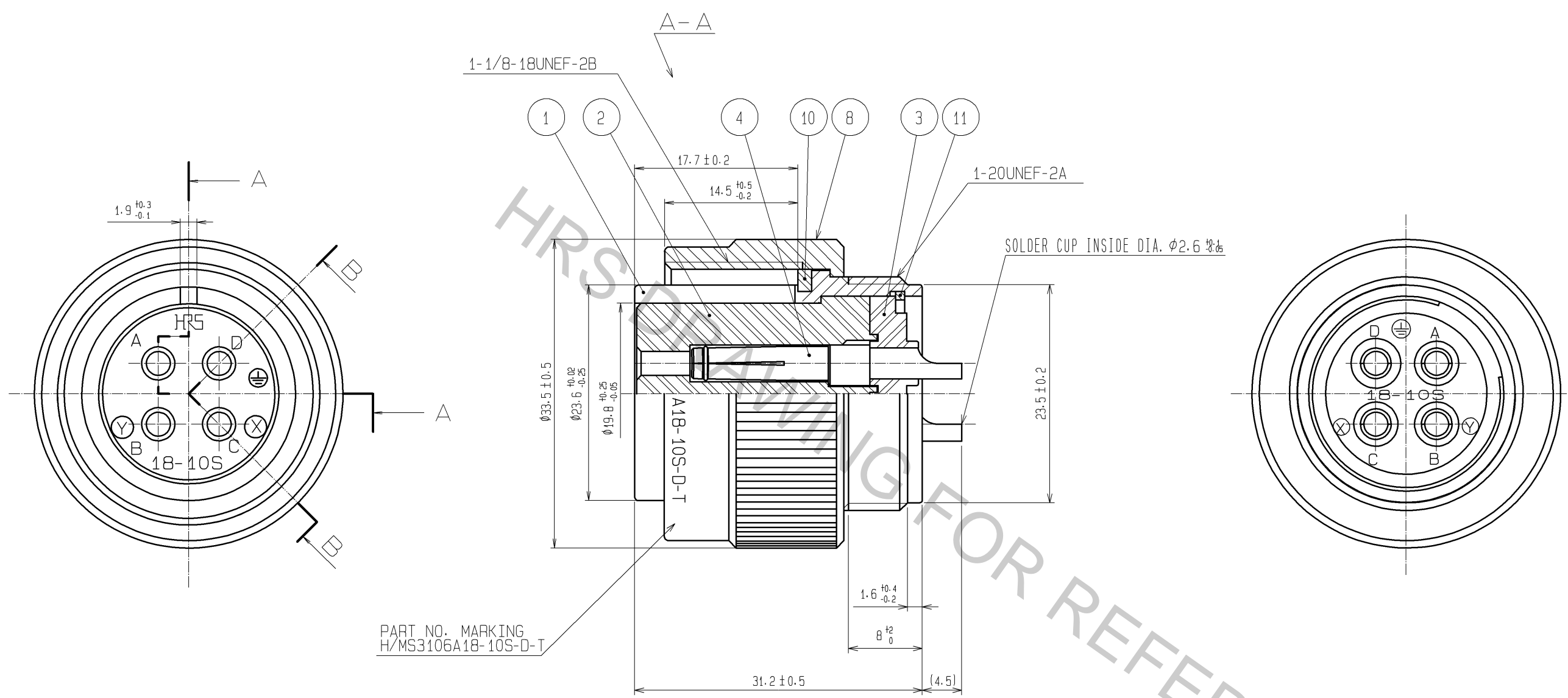
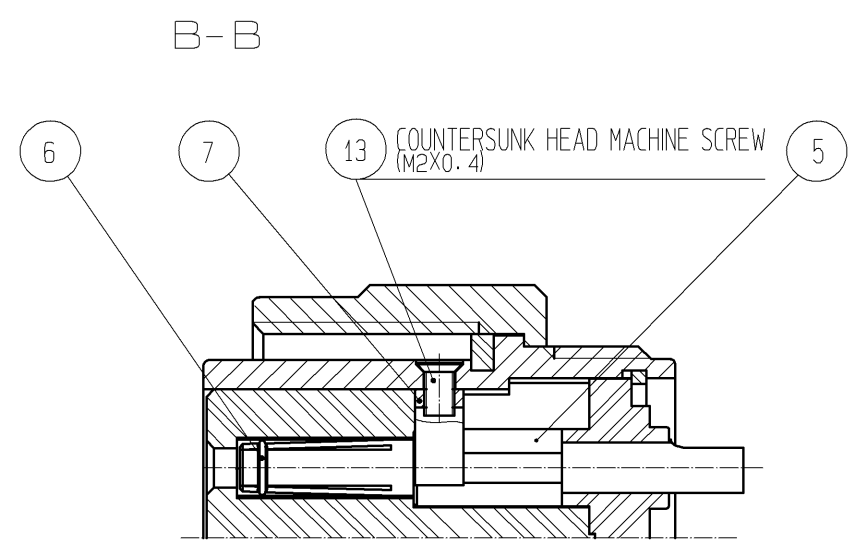


Aug.1.2018 Copyright 2018 HIROSE ELECTRIC CO., LTD. All Rights Reserved.
 In case that the application demands a high level of reliability, such as automotive,
 please contact a company representative for further information.



PART NO. MARKING
 H/MS3106A18-10S-D-T



NO.	MATERIAL	FINISH	REMARKS	NO.	MATERIAL	FINISH	REMARKS
6	STAINLESS STEEL			13	BRASS	NICKEL PLATING	
5	PHOSPHOR BRONZE	SILVER PLATING	4 μm min.	12			
4	PHOSPHOR BRONZE	SILVER PLATING	4 μm min.	11	PHOSPHOR BRONZE	NICKEL PLATING	
3	PPS	(BLACK)	UL94V-0	10	SILICONE RUBBER	(BLACK)	
2	PPS	(BLACK)	UL94V-0	9			
1	ALUMINUM ALLOY	BLACK CHROMATE TREATMENT (TRIVALENT CHROMIUM)		8	ALUMINUM ALLOY	BLACK CHROMATE TREATMENT (TRIVALENT CHROMIUM)	
				7	PHOSPHOR BRONZE	SILVER PLATING	2 μm min.

UNITS	SCALE	COUNT	DESCRIPTION OF REVISIONS	DESIGNED	CHECKED	DATE
mm	2 : 1	△				
APPROVED : SU. OBARA			10.11.08	DRAWING NO. EDC3-048706-76		
CHECKED : HY. KISHI			10.11.08	PART NO. H/MS3106A18-10S-D-T(76)		
DESIGNED : WR. AJIRO			10.11.08	CODE NO. CL120-0323-2-76		
DRAWN : WR. AJIRO			10.11.08	△ 1/1		