

D-SUB sleeve housings - CUC-DST-GPME-A/DSSSC25 - 1419721

Please be informed that the data shown in this PDF Document is generated from our Online Catalog. Please find the complete data in the user's documentation. Our General Terms of Use for Downloads are valid (<http://phoenixcontact.com/download>)




D-SUB sleeve housings, contact inserts: x , degree of protection: IP20, material: ABS, metal-plated, cable outlet: angled, size of housing: 3, color: Bare metallic

Why buy this product

- Easy to mount thanks to pre-assembled locking screws
- Angled conductor entry
- Antimagnetic plastic housing
- Particularly suitable for D-SUB connectors with special contacts thanks to large interior

Key Commercial Data

Packing unit	1 STK
GTIN	 4 055626 188003
GTIN	4055626188003

Technical data

Mechanical characteristics

External cable diameter	4 mm ... 12 mm
Cable outlet	angled
Color	Bare metallic
Mounting type	Screw locking
Screw thread	4-40 UNC
Degree of protection	IP20
Type	D-SUB 25
Size of housing	3
No. of cable outlets	1

Ambient conditions

Ambient temperature (operation)	-35 °C ... 95 °C
---------------------------------	------------------

D-SUB sleeve housings - CUC-DST-GPME-A/DSSSC25 - 1419721

Technical data

Material data

Flammability rating according to UL 94	V0
Housing material	ABS, metal-plated
Housing surface material	metal-plated

Standards and Regulations

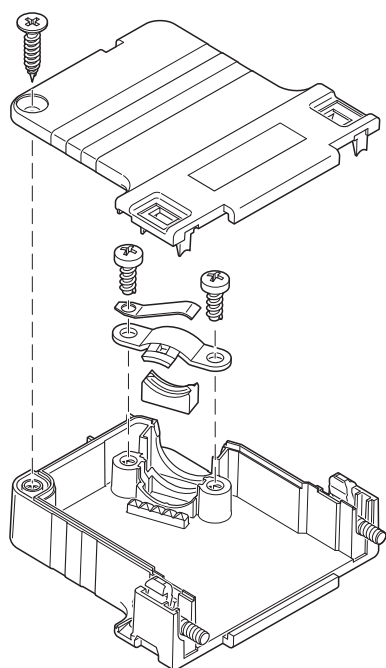
Flammability rating according to UL 94	V0
--	----

Environmental Product Compliance

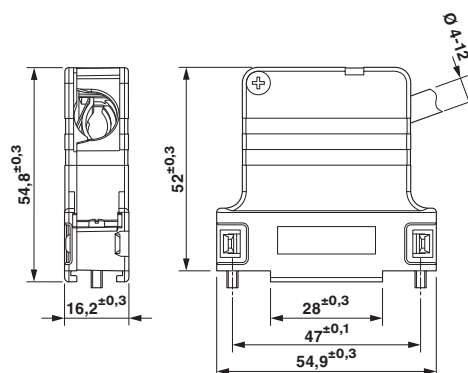
China RoHS	Environmentally friendly use period: unlimited = EFUP-e
	No hazardous substances above threshold values

Drawings

Schematic diagram



Dimensional drawing



D-SUB sleeve housings