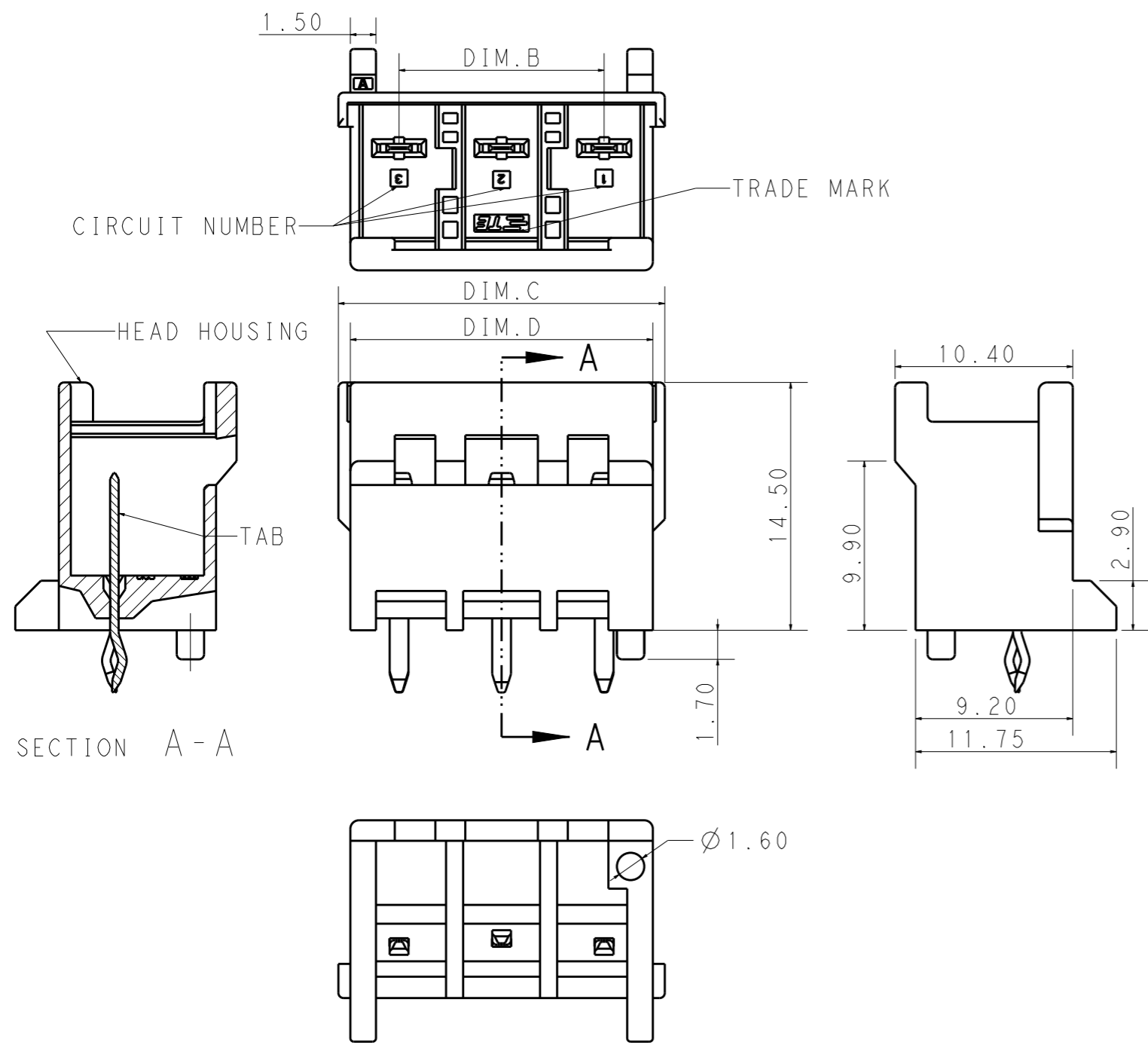


THIS DRAWING IS UNPUBLISHED. RELEASED FOR PUBLICATION 20
 © COPYRIGHT 20 BY - ALL RIGHTS RESERVED.

LOC	DIST	REVISIONS			
P	LTR	DESCRIPTION	DATE	DWN	APVD
-	-	A	FORMAL RELEASE	30JULY2015	A.Q D.Z
-	-	A1	ECR-15-014139	30JULY2015	A.Q D.Z

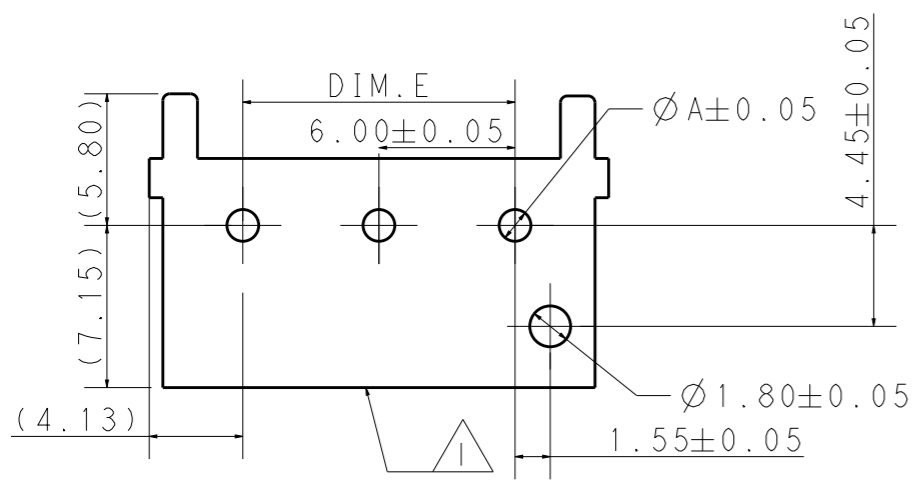



DIM.B	DIM.C	DIM.D	DIM.E	KEYING TYPE	PLG HSG P/N	MATING PARTS	P/N
6.00	13.10	11.70	6.00 ± 0.05	D	2-2232875-4	2-2232876-4	
6.00	13.10	11.70		C	2-2232875-3	2-2232876-3	
6.00	13.10	11.70		B	2-2232875-2	2-2232876-2	
6.00	13.10	11.70		A	2-2232875-1	2-2232876-1	
12.00	19.10	17.70	12.00 ± 0.05	D	3-2232875-4	3-2232876-4	
12.00	19.10	17.70		C	3-2232875-3	3-2232876-3	
12.00	19.10	17.70		B	3-2232875-2	3-2232876-2	
12.00	19.10	17.70		A	3-2232875-1	3-2232876-1	

PROCESS METHOD	ØA
PUNCH	1.25 ± 0.10
DRILL	1.4 ± 0.10

- NOTES:
- RECOMMENDED PCB LAYOUT THICKNESS: 1.60 ± 0.15 MILIMETRE.
 - KEYING FEATURE SEE TABLE 3 & TABLE 4 IN SHEET 2.
 - ØA: SEE TABLE 2.
 - P/N LIST: SEE TABLE 1; Dim.B & Dim.C & Dim.D & DIM.E SEE TABLE 1.

3-2232876-1 AS SHOWN



THIS DRAWING IS A CONTROLLED DOCUMENT.		DWN 30JUL2015 ANNIE QIAN	 TE Connectivity	
DIMENSIONS: mm		CHK 30JUL2015 ANNIE QIAN		
TOLERANCES UNLESS OTHERWISE SPECIFIED:		APVD 30JUL2015 DANIEL ZHANG	NAME GRACE INERTIA CONNECTOR 6.0MM PITCH HEADER ASSEMBLY FOR 2POS. AND 3POS.	
0 PLC ±-		PRODUCT SPEC 108-106193	SIZE A3	
1 PLC ±-		APPLICATION SPEC 114-5292	CAGE CODE -	
2 PLC ±0.13		WEIGHT -	DRAWING NO C-2232876	
3 PLC ±-		MATERIAL -	RESTRICTED TO -	
4 PLC ±-			SCALE N/A	
ANGLES ±1		SHEET 1 OF 2		
FINISH -		REV A1		
CUSTOMER DRAWING				

THIS DRAWING IS UNPUBLISHED.

RELEASED FOR PUBLICATION

20

© COPYRIGHT 20 BY -

ALL RIGHTS RESERVED.

LOC	DIST	REVISIONS					
		P	LTR	DESCRIPTION	DATE	DWN	APVD
-	-	-	-	SEE SHEET 1	-	-	-

TABLE 3 3 POSITION AS SHOWN

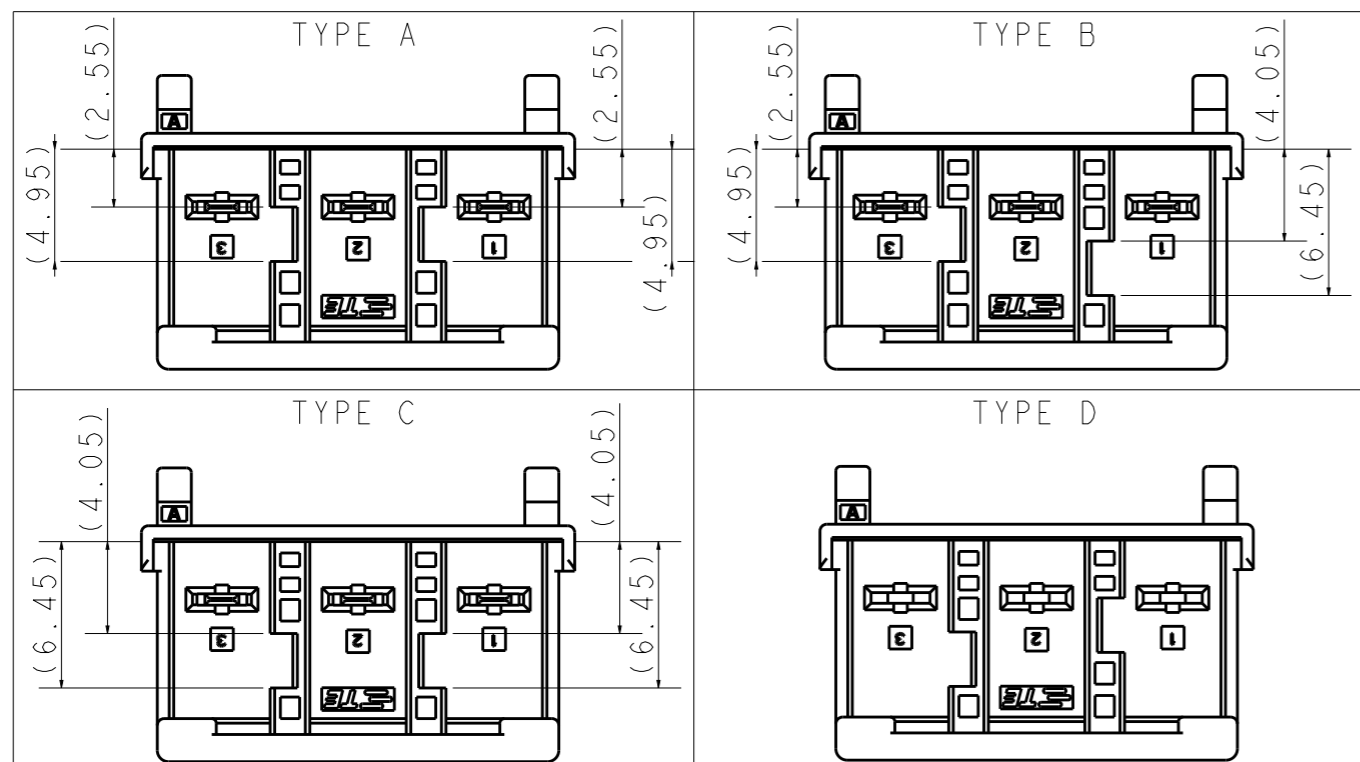
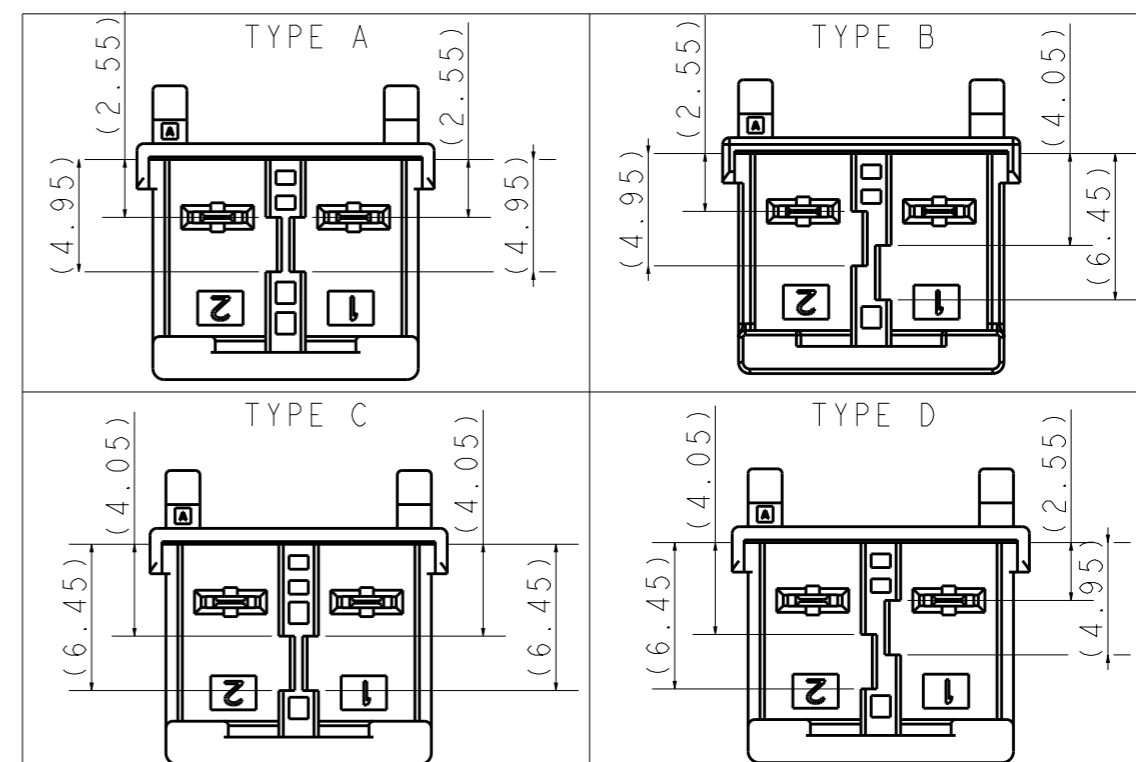
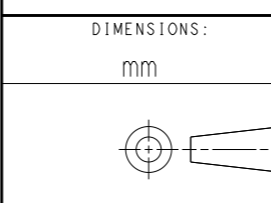


TABLE 4 2 POSITION AS SHOWN



THIS DRAWING IS A CONTROLLED DOCUMENT.



TOLERANCES UNLESS OTHERWISE SPECIFIED:

0 PLC	±-
1 PLC	±-
2 PLC	±0.13
3 PLC	±-
4 PLC	±-
ANGLES	±1

MATERIAL -

FINISH -

DWN	30 JUL 2015
ANNIE QIAN	
CHK	30 JUL 2015
ANNIE QIAN	
APVD	30 JUL 2015
DANIEL ZHANG	
PRODUCT SPEC	108-106193
APPLICATION SPEC	114-5292
WEIGHT	-

TE Connectivity		NAME	
		GRACE INERTIA CONNECTOR 6.0MM PITCH HEADER ASSEMBLY FOR 2POS. AND 3POS.	
SIZE	CAGE CODE	DRAWING NO	RESTRICTED TO
A3	-	©-2232876	-

CUSTOMER DRAWING SCALE N/A SHEET 2 OF 2 REV A1