

LUMAWISE ENDURANCE S MODULES

TE Connectivity (TE) introduces the LUMAWISE Endurance S modules that are designed specifically for LED light sources and drivers in outdoor luminaires. The LUMAWISE Endurance S modules are comprised of IPX6 rated receptacle assembly, sealing cap and two bases sized in 40mm and 80mm diameters that provide a complete electrical interface between the receptacle and associated sensor modules. When used in conjunction with sensor ready certified drivers, the receptacle assembly accepts a twist-to-lock, pluggable sensor module and provides DC power to the module and a DALI 2.0 or derivative two-wire bus for communication and data transfer. The fourth connection is allocated as a digital I/O port. The compact design, with improved sealing capability, facilitates mounting the sensor module upwards, sideways or downward on roadway, street and area lighting luminaires.



Applications

- **Street and Area Lighting**
- **Outdoor Luminaires**
 - Wall Packs
 - Parking Lots
 - Walkways
- **Photo Controls**
- **Central Management System**
- **Other sensor modules e.g. occupancy**

Electrical

- **Contacts rating:** 1.5A, 30V (24V typical)
- **Meets 10kV common mode surge test**
- **Hot pluggable capable**
- **4 pole contacts**
 - **Pin 1:** 24Vdc
 - **Pin 2:** DALI (or DALI based protocol) -/common ground
 - **Pin 3:** DALI (or DALI based protocol) +
 - **Pin 4:** General I/O

Mechanical

- **Mounting:** M20X1.5 thread
- **Height above luminaire:** 10mm
- **IPx5 and IPx6**
- **Receptacle:** Ø30mm
- **Gasket:** Ø36.5mm
- **Thread length:** 18.5mm
- **IK09 capable**

Benefits

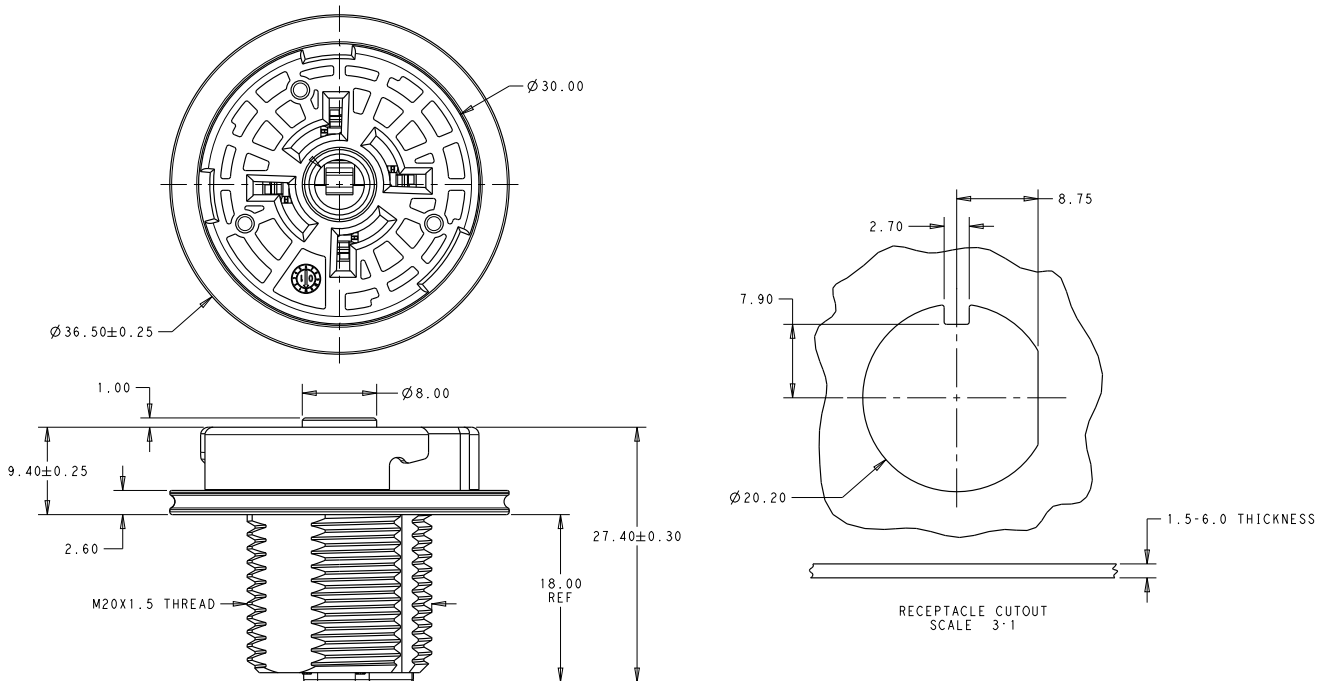
- Standardized interface defined in Zhaga Book 18
- Compact size allowing greater flexibility in luminaire design
- Improved sealing to achieve IPx5 or IPx6 with no mounting screws
- Scalable solution allows use of Ø40mm photocell and a Ø80mm central management system with the same connection interface
- Flexible mounting position, upwards, downwards and sideways facing
- Integrated single gasket that seals to both luminaire and module that minimizes assembly time

Product Selection Information

	Part Number	Description
	2213858-1	LUMAWISE Endurance S receptacle assembly
	2213795-1	LUMAWISE Endurance S receptacle sealing cap
	2213837-1	LUMAWISE Endurance S base, 40mm module
	2213831-1	LUMAWISE Endurance S base, 80mm module

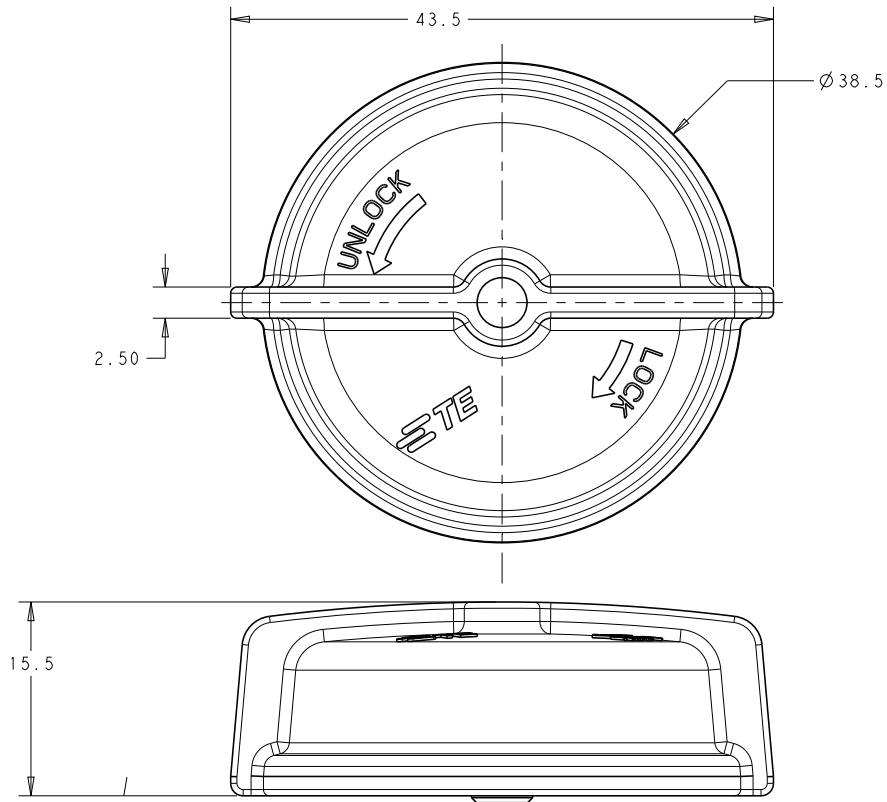
Dimensions

2213858-1 Receptacle Assembly

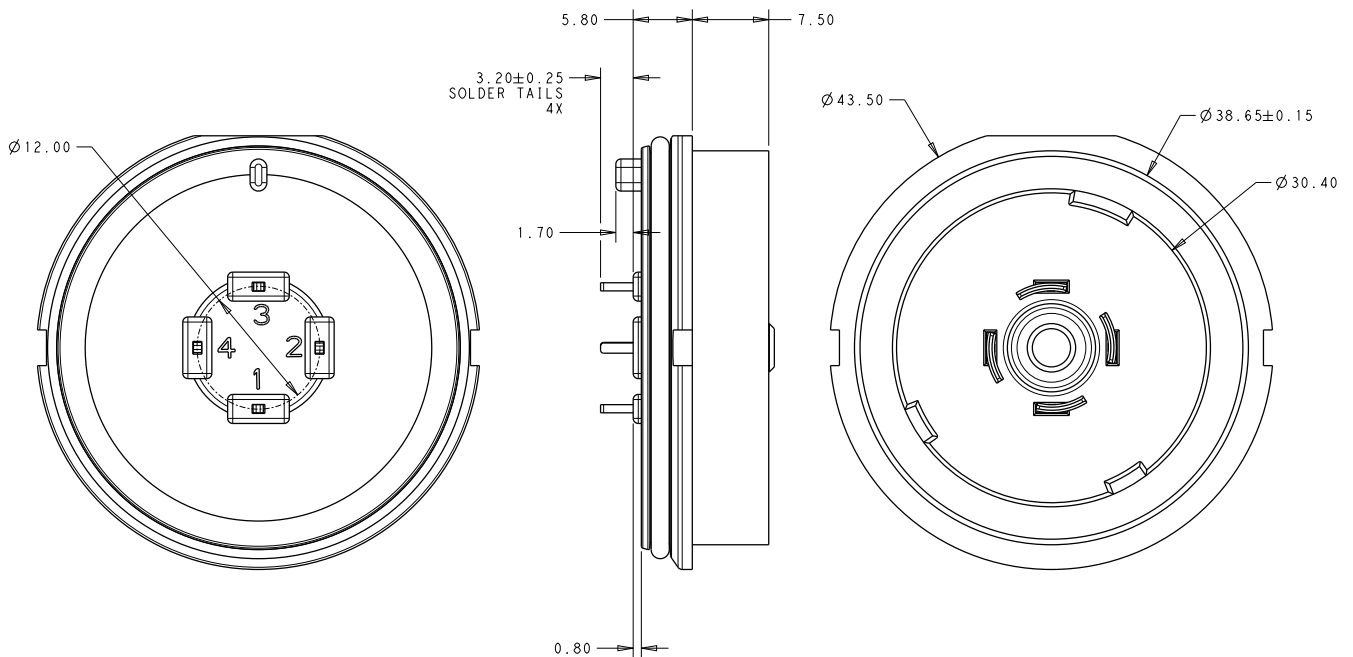


Dimensions

2213795-1 Receptacle Sealing Cap

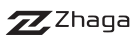
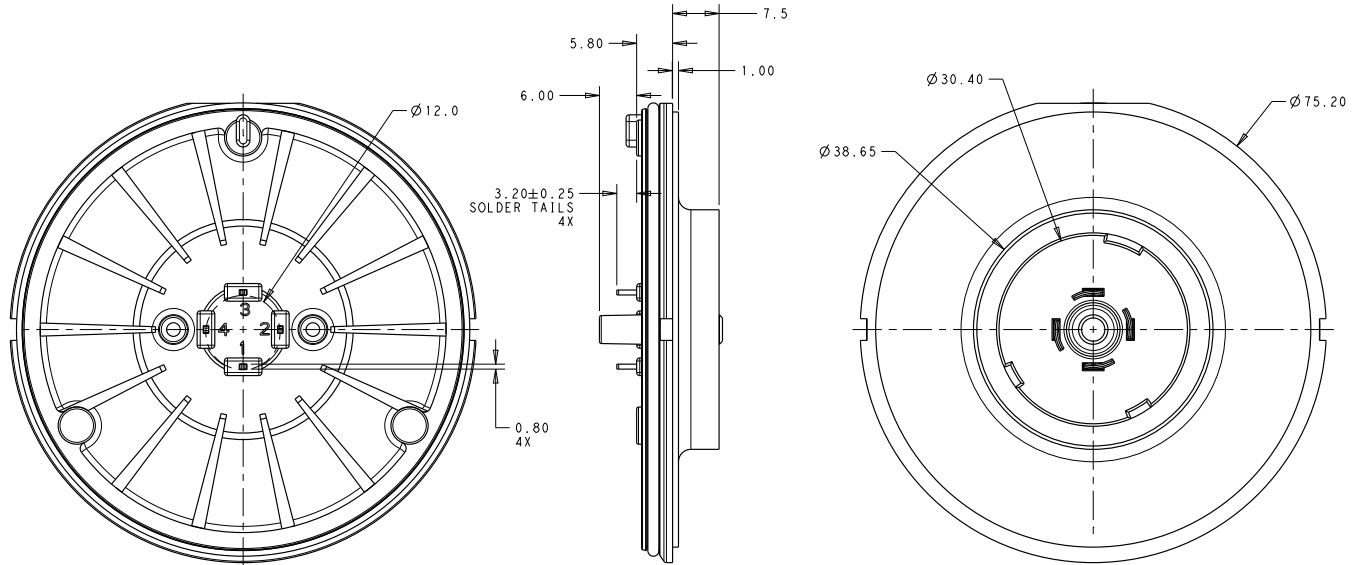


2213837-1 Base, 40mm Module



Dimensions

2213831-1 Base, 80mm Module



TE Connectivity is a participating member of the Zhaga Consortium, an industry-wide cooperation enabling the interchangeability of LED light sources and simplifying LED applications for general lighting.

te.com

© 2017 TE Connectivity. All Rights Reserved. LUMAWISE, TE, TE Connectivity, and the TE connectivity (logo) are trademarks of the TE Connectivity Ltd. family of companies. Other logos, product and Company names mentioned herein may be trademarks of their respective owners. Zhaga is a trademark of the Zhaga Consortium.

While TE has made every reasonable effort to ensure the accuracy of the information in this brochure, TE does not guarantee that it is error-free, nor does TE make any other representation, warranty or guarantee that the information is accurate, correct, reliable or current. TE reserves the right to make any adjustments to the information contained herein at any time without notice. TE expressly disclaims all implied warranties regarding the information contained herein, including, but not limited to, any implied warranties of merchantability or fitness for a particular purpose. The dimensions in this catalog are for reference purposes only and are subject to change without notice. Specifications are subject to change without notice. Consult TE for the latest dimensions and design specifications.

1-1773915-3 BH 03/2017

USA: +1 (800) 522-6752
 Canada: +1 (905) 475-6222
 Mexico: +52 (0) 55-1106-0800
 Latin/S. America: +54 (0) 11-4733-2200
 Germany: +49 (0) 6251-133-1999
 UK: +44 (0) 800-267666
 France: +33 (0) 1-3420-8686
 The Netherlands: +31 (0) 73-6246-999
 China: +86 (0) 400-820-6015