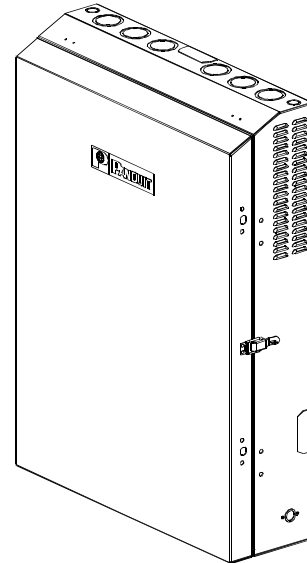


INSTALLATION INSTRUCTIONS PN275

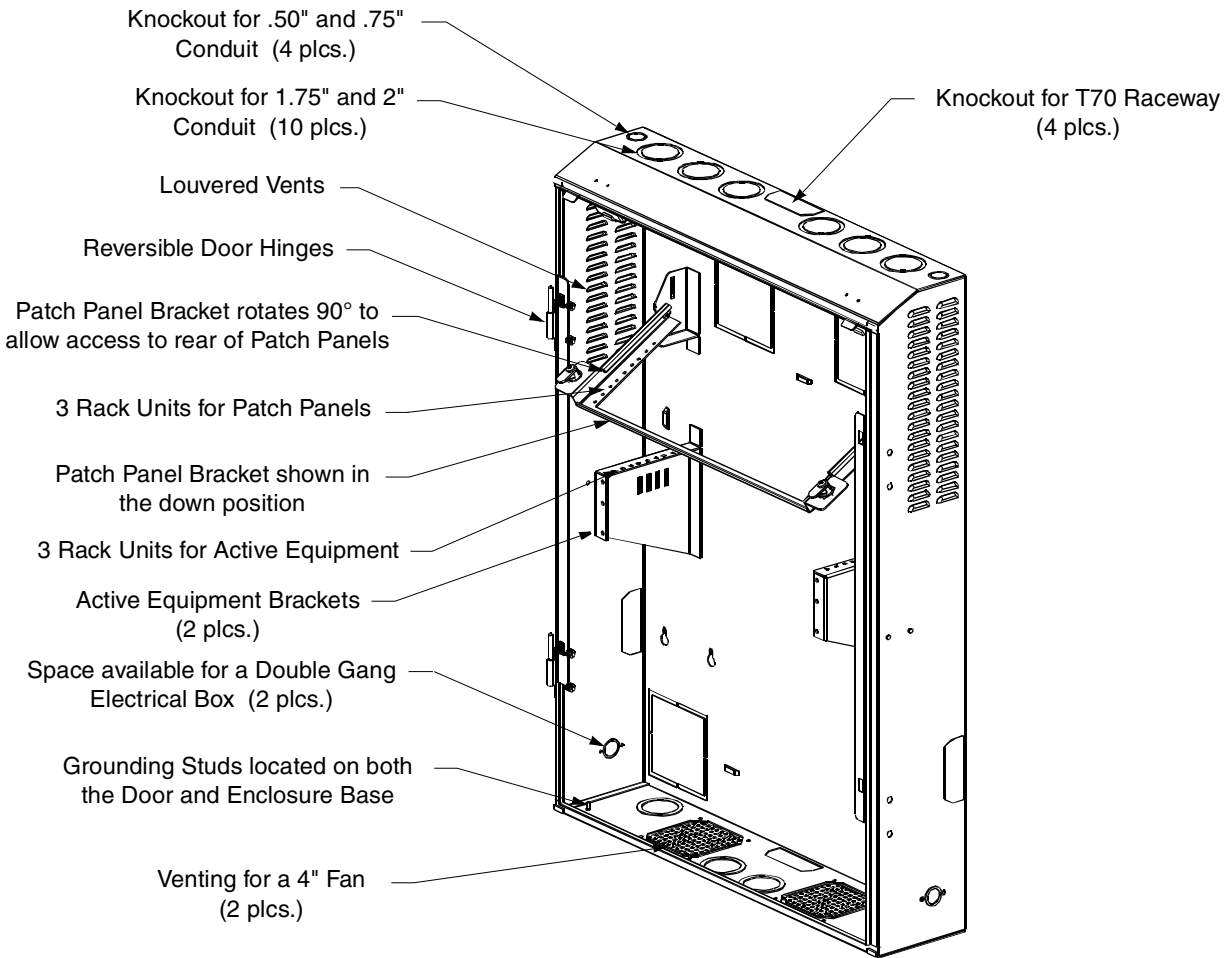
© Panduit Corp. 2003

List of Components:

- (8) Hole Caps
- (1) 36" Edge Grommet
- (10) *TAK-TYS*
- (1) Installation Instruction
- (1) Grounding Strap
- (2) Port ID Labels
- (4) Screw Caps
- (1) Wall Template
- (4) 1 RU Patch Panel Bend Radius Clips



PZAEWM3



(view shown with door removed)

FOR TECHNICAL SUPPORT CALL: 866-405-6654

Step 1: Mounting Enclosure to Wall / Electrical Box Installation

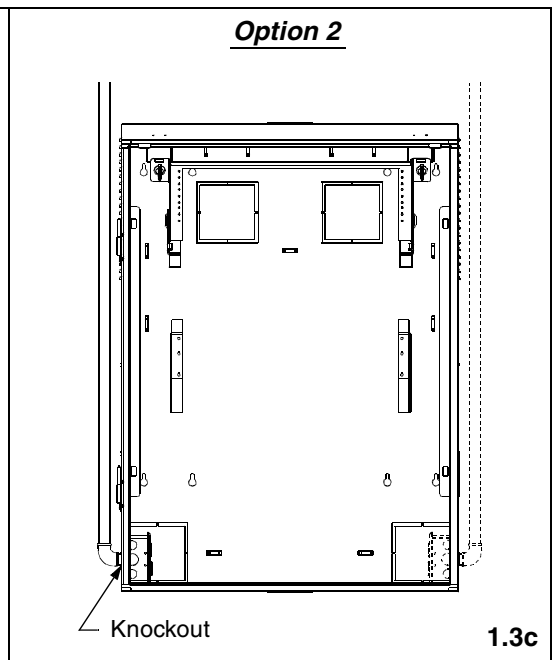
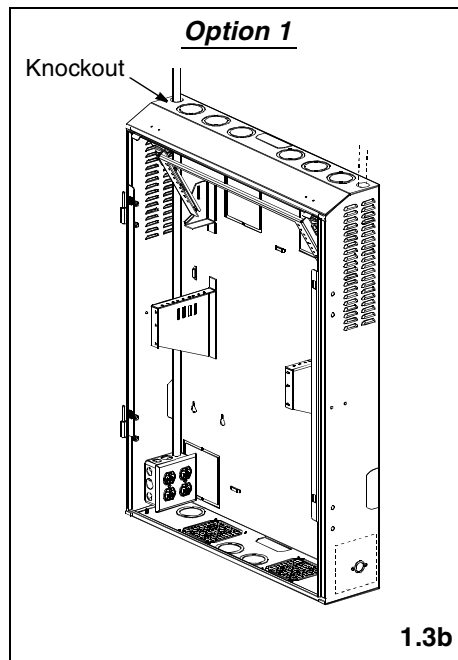
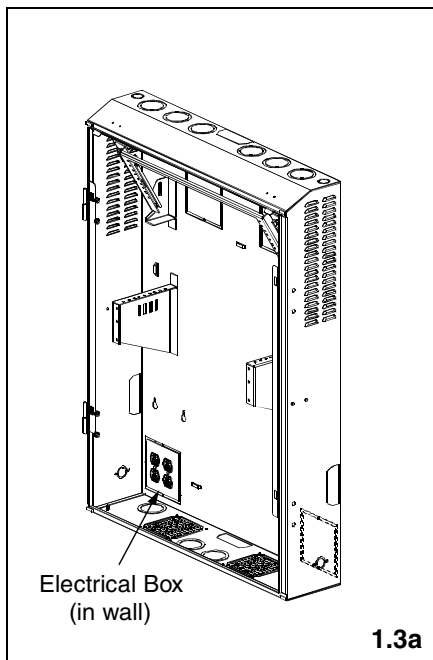
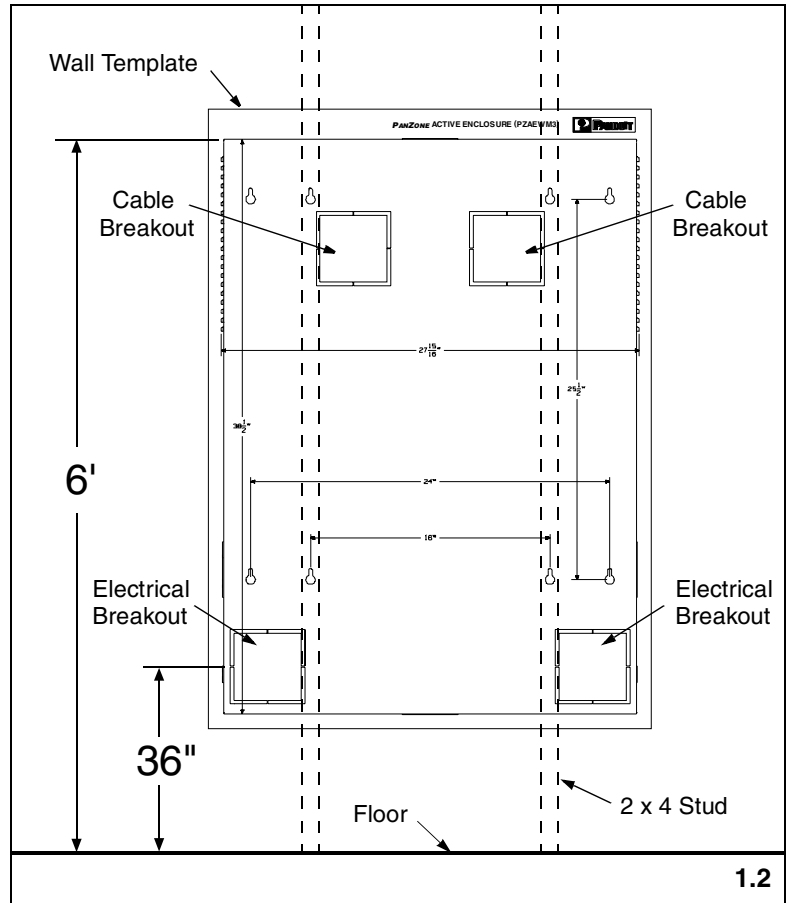
- 1.1 Locate the wall studs (16" on center in most U.S. cases).
- 1.2 Tape the provided wall template in proper location. *PANDUIT* recommends mounting the top of the enclosure at 6' from the floor (See figure 1.2).
- 1.3 Determine if you will be mounting the electrical box in the wall or inside the enclosure.

If Mounting Electrical Box in the Wall: Remove desired breakout from back of enclosure. Using wall template, determine location for mounting electrical box. After electrical box is completely installed, mount enclosure to wall using 4 screws. Enclosure designed to use #14 screws. (See figure 1.3a)

If Mounting Electrical Box inside Enclosure: Determine which side of enclosure the electrical box will be mounted. There are two options for routing the conduit when mounting the electrical box inside the enclosure.

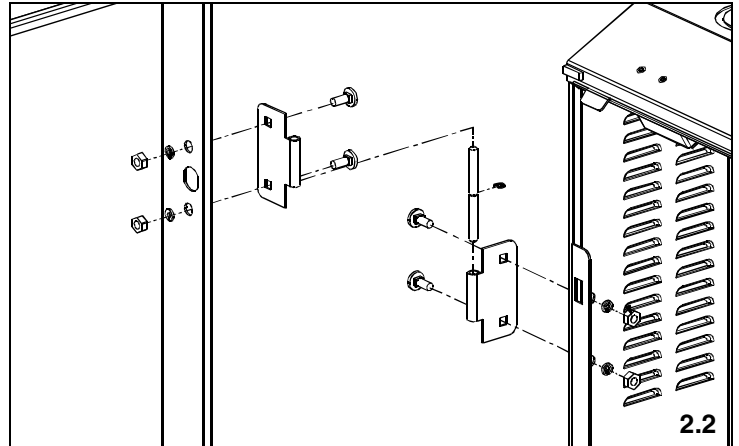
Option 1 - Inside of Enclosure: Mount electrical box on desired side of enclosure using PEM studs (nuts not included). Remove knockout from top of enclosure on corresponding side of mounted electrical box. Run conduit through knockout hole along inside edge of enclosure to the electrical box. (See figure 1.3b)

Option 2 - Outside of Enclosure: Remove knockout from side of enclosure the electrical box will be mounted. Mount the electrical box. Run conduit along the outside of enclosure and connect to electrical box through the knockout hole (See figure 1.3c).



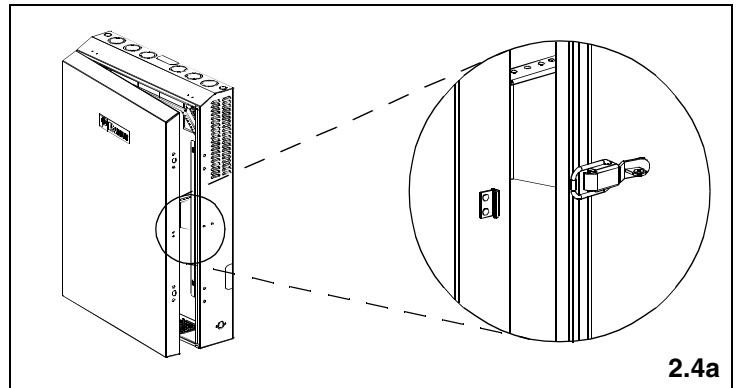
Step 2: Door and Lock Installation

- 2.1 Determine what side the door will hinge from. Pay attention to how close the enclosure is to a corner, a door, or any other object that may obstruct the opening of the door.
 - 2.2 Use the 1/4-20 size screw and nut to attach the hinges. Snap the two retaining rings into the groove on the hinge pin. Insert hinge pins in the base side hinges. (See figure 2.2)
- Note: Hinges can be adjusted to suit door.
- 2.3 Lift door and position perpendicular to the base. Slide door down into place.
 - 2.4 Determine if the installation requires the door lock hasp (supplied) or the keyed locks (sold separately).



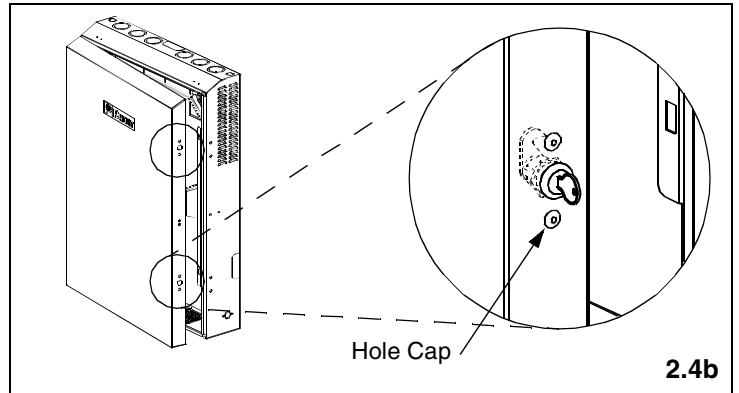
Door Lock Hasp Installation:

Knockout the two holes on the opposite side of the hinges in the middle of the enclosure on both the base and the door (See figure 2.4a). Attach the latch to the base and the catch to the door using supplied #10-32 size screw and nut. Plug 8 existing holes with supplied hole caps.



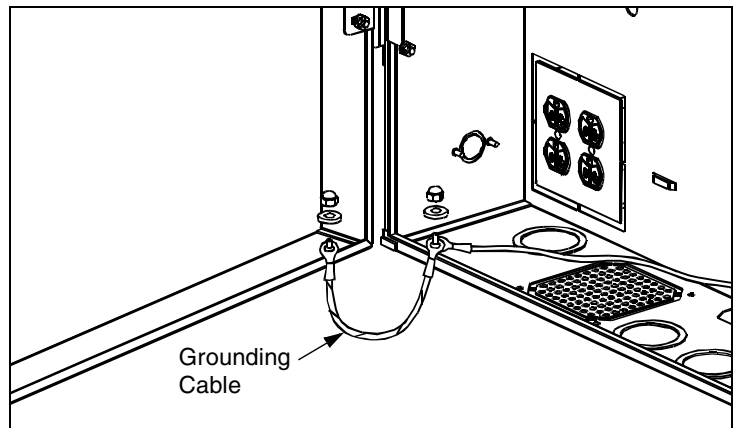
Keyed Locks Installation: (sold separately)

Knockout the two large holes directly opposite from the hinges on the cover. Slide in lock body and attach lock hook with supplied screw. Make sure hook is facing out. (See figure 2.4b). Plug 8 existing holes with supplied hole caps.



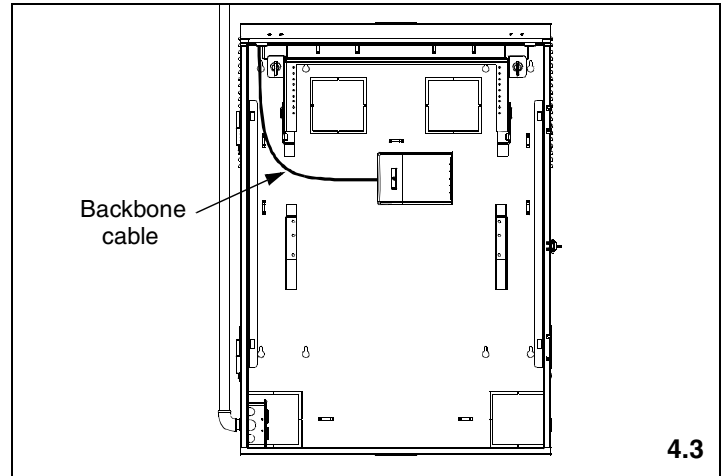
Step 3: Grounding

- 3.1 Run cable from Telecommunications Grounding Busbar (TGB) to enclosure and attach to grounding lug on the enclosure base.
- 3.2 Using supplied grounding cable, attach one end to the grounding lug on the enclosure base (on top of the TGB cable) and the other end to the grounding lug on the enclosure door.
- 3.3 Secure cable ends with washer and acorn nut.



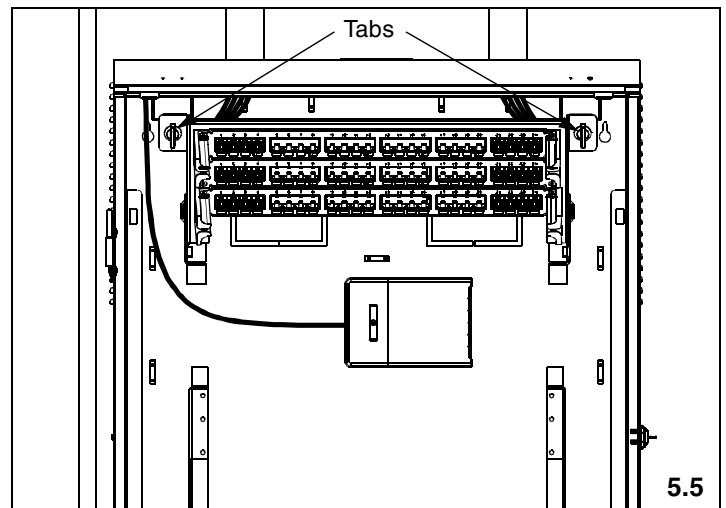
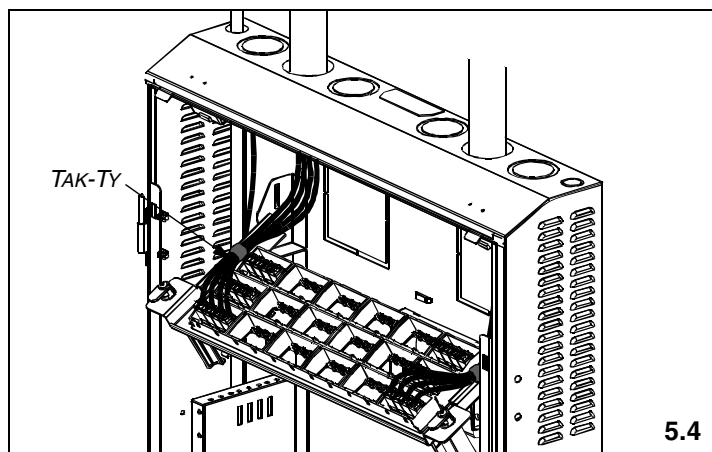
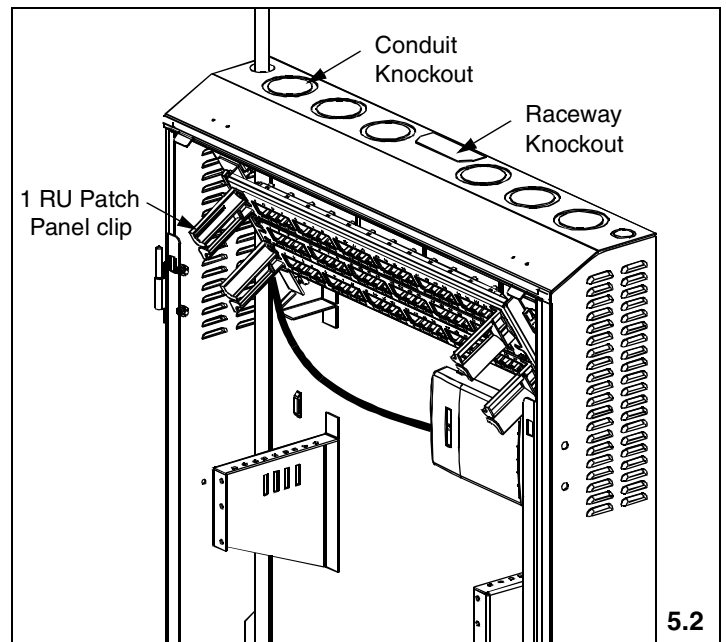
Step 4: Termination of Backbone Cable (Demarcation)

- 4.1 Route cable to enclosure.
- 4.2 Once cable is inside the enclosure, terminate the cable to the appropriate module (fiber or copper).
- 4.3 Place module(s) in a *MINI-COM* Six Position Multi-Media Surface Mount Box (*PANDUIT* Part No. CBXF6IW-A, sold separately). Mount the box to the back wall of the enclosure using supplied adhesive (See figure 4.3). This box has an integrated fiber spool for fiber applications.



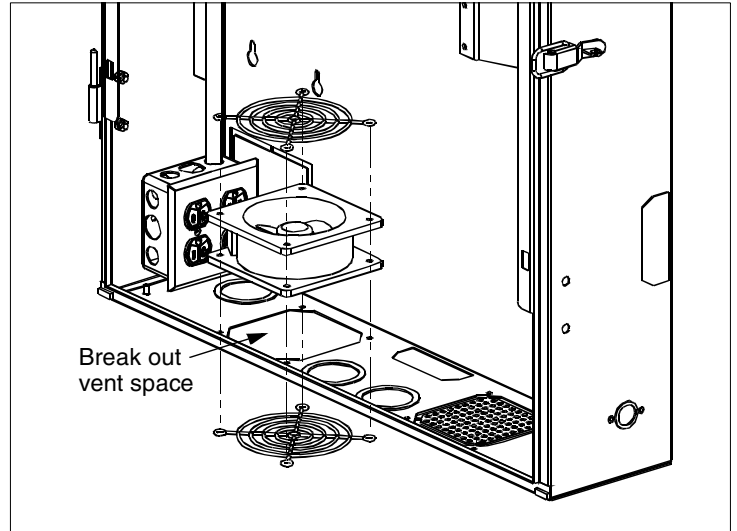
Step 5: Horizontal Cabling and Patch Panel Installation

- 5.1 Route horizontal cable from work area to the enclosure by way of conduit, raceway (TG-70 or T-70), or through the cable breakouts on the back wall of enclosure. Use supplied edge grommet to protect cables from sharp metal edges of raceway knockouts and cable break-outs. Be sure to allow enough slack to route and terminate cable.
- 5.2 With Patch Panel Bracket in up position, install patch panels (suggested *PANDUIT* Part No. CPPL24WBL sold separately) along with the four 1 RU patch panel bend radius clips to the front side of the bracket. (See figure 5.2)
- 5.3 Rotate Patch Panel Bracket down by twisting tabs to release bracket. Terminate cables with *MINI-COM GIGA-TX* style jack modules (sold separately). Snap modules into patch panels. Punchdown Patch Panels can be used.
- 5.4 Secure cables to bracket arm and back wall using supplied *TAK-TYS* (See figure 5.4).
- 5.5 Rotate bracket into up position and rotate tabs to hold bracket in place (See figure 5.5).



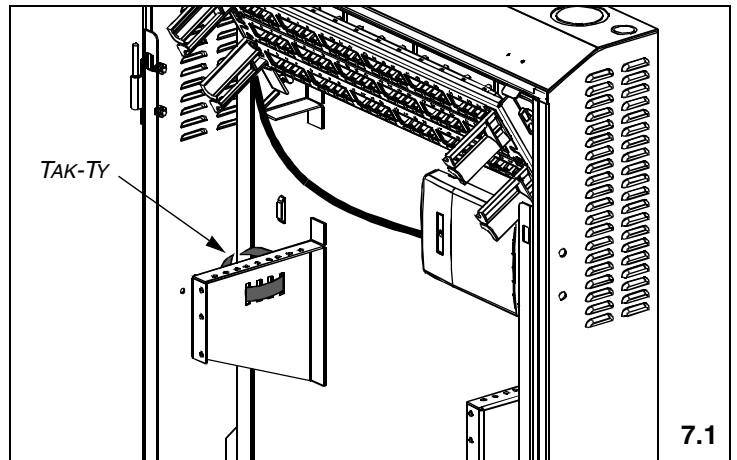
Step 6: Optional Fan Installation (if required, sold separately)

- 6.1 Break out vent space on bottom of enclosure.
- 6.2 Place fan over opening. Line up the bottom fan cover to the outside of enclosure and screw into place.
- 6.3 Line up top fan cover and screw into place.
- 6.4 Determine the length of the power cord that is desired. Strip back the insulation on the cord and terminate to the plug.
- 6.5 Attach the power cord. The fan can be plugged into an Uninterruptible Power Supply (UPS) or the electrical box inside the enclosure.

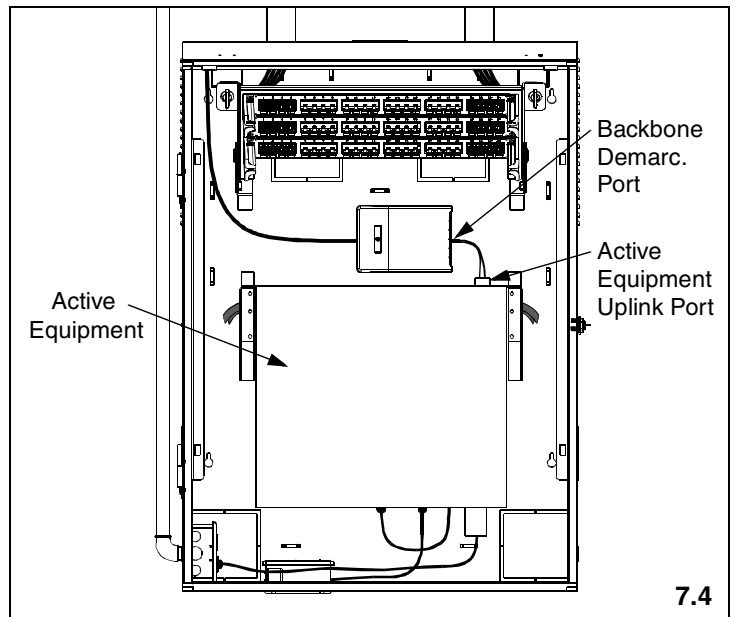


Step 7: Active Equipment Installation

- 7.1 Insert *TAK-TYS* to both active equipment cable tie slots (See figure 7.1).
- 7.2 If Uninterruptible Power Supply (UPS) will be used, install that first in the back most position on the Active Equipment Bracket. Plug power into electrical box inside the enclosure. (UPS sold separately, suggested equipment from APC Powerstack 250 or 450).
- 7.3 Install active network equipment with ports facing up. Plug power cord into UPS if one is available or into electrical box inside the enclosure. (Network equipment sold separately, suggested equipment from Cisco Catalysts 29** series or 35** series. Should be installed by certified installer).
- 7.4 Connect active equipment uplink port to backbone demarcation port with a patch cord (sold separately). (See figure 7.4)



7.1



7.4

Step 8: Patch Cord Installation

- 8.1 Connect horizontal cabling to active network equipment with patch cords (sold separately). *PANDUIT* recommends using 1 meter patch cords.
- 8.2 Connect patch cords starting from the outside of the patch panel working your way towards the middle.
- 8.3 Route patch cords through the 1 RU patch panel bend radius clips and down the side of the enclosure. Plug the other end of the patch cords into the active equipment. (See figure 8.3)
- 8.4 Once all the patch cords are installed, use the *TAK-TYS* located on the side of the active equipment brackets to hold the patch cords in place.
- 8.5 Close and secure door.

