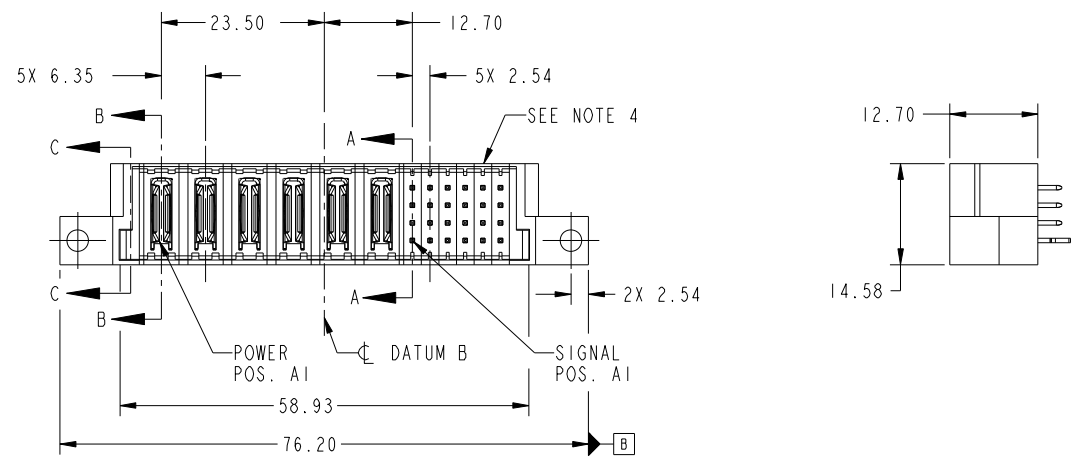
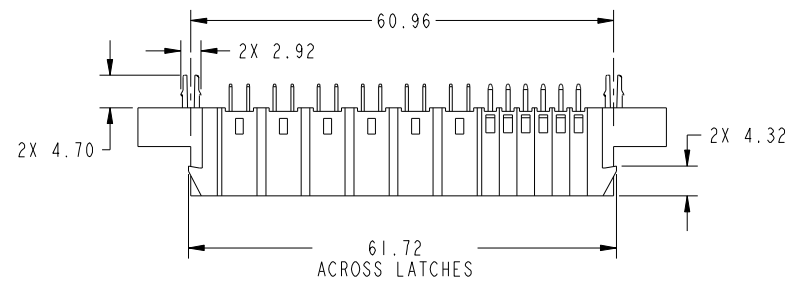
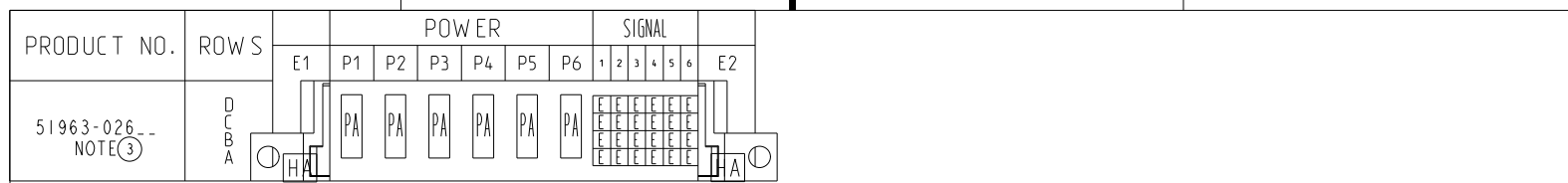


Tous droits strictement réservés. Reproduction ou communication à des tiers interdite, sous quelque forme que ce soit, sans autorisation écrite du propriétaire. Propriété de c FCI. Droits de reproduction FCI.

All rights strictly reserved. Reproduction or issue to third parties in any form, whatever is not permitted without written authority from the proprietor. Property of FCI. Copyright FCI.



| CODE | DIM "M" MATING LENGTH | CONTACT TYPE |
|------|-----------------------|--------------|
| PA | [N/A] | POWER |
| E | [6.86] | SIGNAL |
| HA | [N/A] | HOLD-DOWN |

| | | | | | | | | | |
|-------------|----------------|-----|----------|---------------------------------------|----------------------|------------|--|---------------------------------------|--|
| mat'l code | | | | tolerances unless otherwise specified | | CUSTOMER | | FCI | |
| ltr | ecn no. | dr | date | linear | 0.X ±0.5 | COPY | | www.fciconnect.com | |
| A | DG08-0207 | JC | 08/05/08 | | 0.XX ±0.25 | projection | | title 6P + 24S VERTICAL SOLDER HEADER | |
| B | DG11-0082 | SG | 03/23/11 | angles | 0.XXX ±0.1 | MM | | product family PwrBlade code 213 | |
| | | | | dr | 0° ±2° | scale 1:1 | | size dwg no 51963-026 sheet 1 of 4 | |
| | | | | enr | Jerome Chen 06/11/08 | | | | |
| | | | | chr | Jerome Chen 06/11/08 | | | | |
| | | | | appd | Gary Hsieh 06/11/08 | | | | |
| | | | | | Joseph Hsia 06/11/08 | | | | |
| sheet index | revision sheet | B 1 | B 2 | B 3 | B 4 | | | | |

Pro/E

cage code 22526

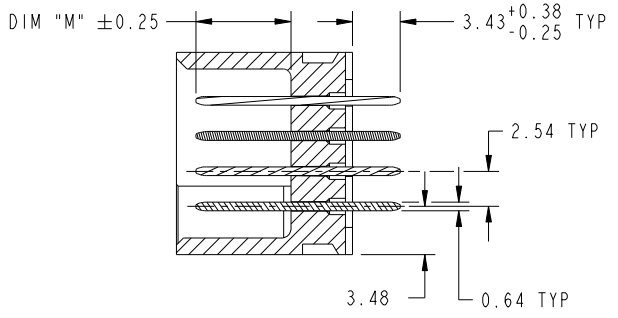
PDM: Rev:B

STATUS:Released

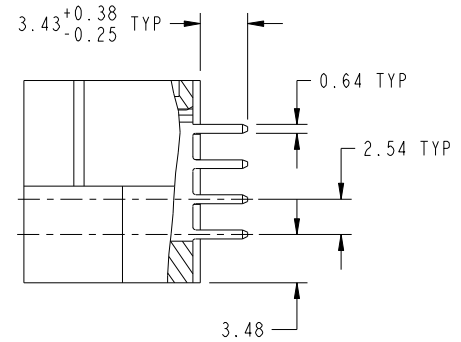
Printed: Mar 29, 2011

Tous droits strictement reserves. Reproduction ou communication a des tiers interdite, sous quelque forme que ce soit, sans autorisation ecrite du proprietaire. Propriete de c FCI. Droits de reproduction FCI.

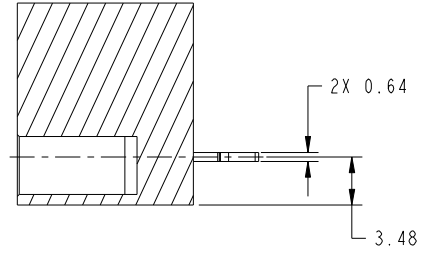
PRODUCT NUMBER
51963-026__
NOTE 3



SECTION A-A
SCALE 2:1



SECTION B-B
SCALE 2:1



SECTION C-C
SCALE 2:1



All rights strictly reserved. Reproduction or issue to third parties in any form, whatever, is not permitted without written authority from the proprietor. Property of FCI. Copyright FCI.

| | | | | | | | | | |
|-------------|----------------|----|------|---------------------------------------|----------------------|------------|--|------------------------------|--|
| mat'l code | | | | tolerances unless otherwise specified | | CUSTOMER | | FCI | |
| ltr | ecn no. | dr | date | linear | 0.X ±0.5 | COPY | | www.fciconnect.com | |
| B | | | | | 0.XX ±0.25 | projection | | title | |
| | | | | angles | 0.XXX ±0.1 | ⊕ | | 6P + 24S | |
| | | | | dr | 0° ±2° | MM | | VERTICAL SOLDER HEADER | |
| | | | | enr | Jerome Chen 06/11/08 | ← | | product family PwrBlade code | |
| | | | | chr | Jerome Chen 06/11/08 | → | | size | |
| | | | | appd | Gary Hsieh 06/11/08 | scale | | 51963-026 | |
| | | | | | Joseph Hsia 06/11/08 | 1:1 | | sheet | |
| sheet index | revision sheet | | | | | | | 213 | |
| | | | | | | | | 2 of 4 | |

cage code 22526

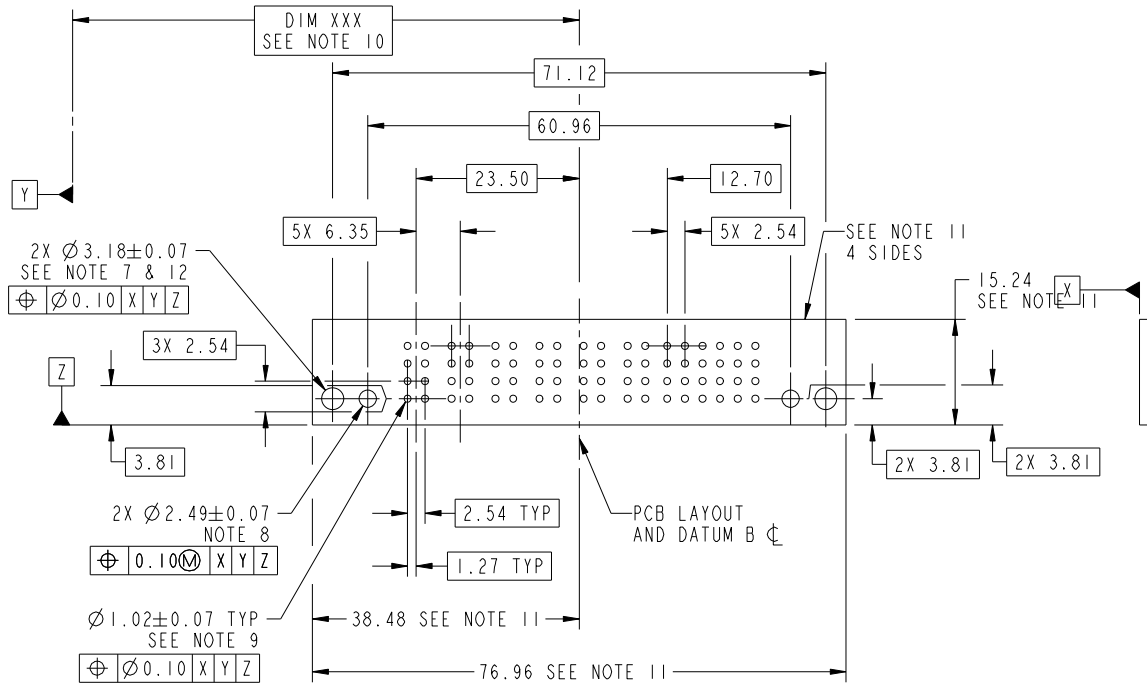
PDM: Rev:B

STATUS:Released

Printed: Mar 29, 2011

Tous droits strictement réservés. Reproduction ou communication à des tiers interdite sous quelque forme que ce soit sans autorisation écrite du propriétaire. Propriété de c FCI. Droits de reproduction FCI.

PRODUCT NUMBER
51963-026__
NOTE 3



RECOMMENDED PCB LAYOUT



All rights strictly reserved. Reproduction or issue to third parties in any form whatever is not permitted without written authority from the proprietor. Property of FCI. Copyright FCI.

| | | | | | | | | | | | | | |
|-------------|----------------|----|------|---------------------------------------|-------------|----------|--|----------|--|----------------|--|------------------------|--|
| mat'l code | | | | tolerances unless otherwise specified | | | | CUSTOMER | | FCI | | www.fciconnect.com | |
| ltr | ecn no. | dr | date | linear | 0.X ± 0.5 | | | COPY | | projection | | title | |
| B | | | | | 0.XX ± 0.25 | | | | | 6P + 24S | | VERTICAL SOLDER HEADER | |
| | | | | angles | 0° ± 2° | | | MM | | product family | | PwrBlade code | |
| | | | | dr | Jerome Chen | 06/11/08 | | scale | | size | | dwg no | |
| | | | | enr | Jerome Chen | 06/11/08 | | 1:1 | | A | | 51963-026 | |
| | | | | chr | Gary Hsieh | 06/11/08 | | | | | | sheet | |
| | | | | appd | Joseph Hsia | 06/11/08 | | | | | | 3 of 4 | |
| sheet index | revision sheet | | | | | | | | | | | | |

cage code 22526

Pro/E

PDM: Rev:B

STATUS:Released

Printed: Mar 29, 2011

Tous droits strictement reserves. Reproduction ou communication a des tiers interdite sous quelque forme que ce soit sans autorisation écrite du propriétaire. Propriete de c FCI. Droits de reproduction FCI.



All rights strictly reserved. Reproduction or issue to third parties in any form whatever is not permitted without written authority from the proprietor. Property of FCI. Copyright FCI.

PRODUCT NUMBER
51963-026__
NOTE 3

NOTES:

1. DIMENSIONS AND TOLERANCES ARE IN ACCORDANCE WITH ASME Y14.5M, 1994 UNLESS OTHERWISE SPECIFIED.

CONNECTOR NOTES:

- ② HOUSING MATERIAL: UL 94 V-0 GLASS FILLED HIGH-TEMP THERMOPLASTIC
POWER CONTACT MATERIAL: COPPER ALLOY
SIGNAL PIN MATERIAL: COPPER ALLOY
 - 3. PLATING:
51963-026 ,51963-026LF PLATING SPEC. WAS SHOWN IN THE PRINT OF 10064183.
 - ④ MANUFACTURER'S NAME, P/N, AND DATE CODE TO APPEAR ON THIS SURFACE.
 - 5. PRODUCT SPECIFICATION GS-12-149.
APPLICATION SPECIFICATION BUS-20-067.
 - 6. PACKAGED IN TRAYS.
- PCB NOTES:
- 7. ALL HOLE DIAMETERS ARE FINISHED HOLE SIZE.
 - 8. MOUNTING HOLES, WHERE APPLICABLE, ARE UNPLATED.
 - ⑨ $\varnothing 1.151 \pm 0.025$ DRILLED HOLES PLATED WITH
0.008 MIN SnPb OR Sn OVER .001 [0.03]
TO 0.08 Cu PLATING TO ACHIEVE
 $\varnothing 1.02 \pm 0.07$ HOLE.
 - ⑩ "DIM XXX" TO BE DETERMINED BY THE CUSTOMER.
 - ⑪ CONNECTOR KEEP-OUT ZONE.
 - 12. CUSTOMER SUPPLIES (2) #4-40 UNC SCREW, HARDWARE TO MOUNT HEADER TO PC BOARD.
 - 13. THIS PART IS DESIGNED ONLY FOR USE WITH CABLE ASSEMBLY 10080594-7RC0060LF.

| mat'l code | | | | tolerances unless otherwise specified | | CUSTOMER | | FCI | |
|-------------|----------------|----|------|---------------------------------------|-----------------------|------------|--|------------------------------------|---|
| ltr | ecn no. | dr | date | linear | $0.X \pm 0.5$ | COPY | | www.fciconnect.com | |
| B | | | | | $0.XX \pm 0.25$ | projection | title 6P + 24S VERTICAL SOLDER HEADER | | |
| | | | | angles | $0.XXX \pm 0.1$ | | | product family PwrBlade code 213 | |
| | | | | dr | $0^\circ \pm 2^\circ$ | MM | | size dwg no 51963-026 sheet 4 of 4 | |
| | | | | engr | Jerome Chen 06/11/08 | scale 1:1 | | A | |
| | | | | chr | Gary Hsieh 06/11/08 | | | | |
| | | | | appd | Joseph Hsia 06/11/08 | | | | |
| sheet index | revision sheet | | | | | | | cage code 22526 | 4 |