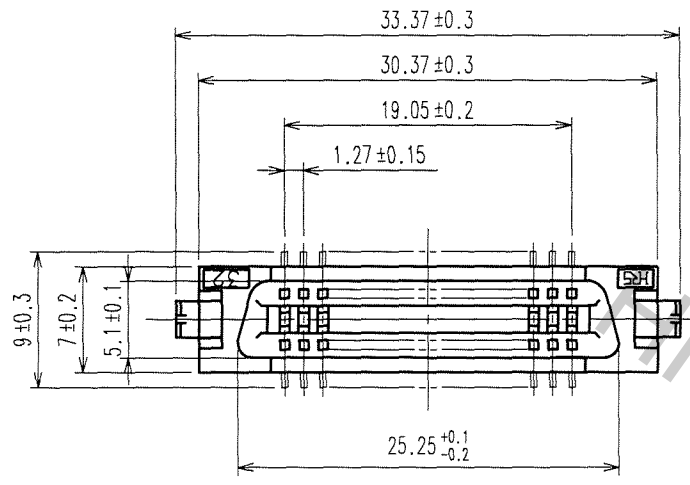


Apr.1.2017 Copyright 2017 HIROSE ELECTRIC CO., LTD. All Rights Reserved.

COUNT	DESCRIPTION OF REVISIONS	BY	CHKD	DATE	COUNT	DESCRIPTION OF REVISIONS	BY	CHKD	DATE
△					△				
△					△				
△					△				



RECOMMENDED LAND PATTERN DIMENSION OF PCB (MOUNTING SIDE)

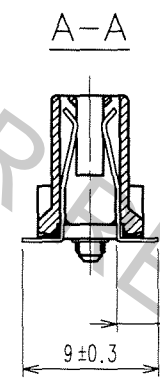
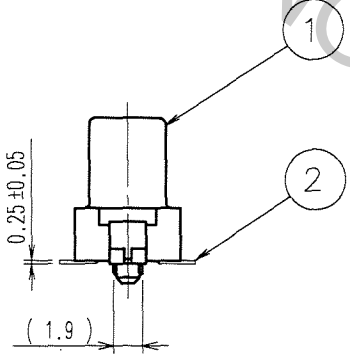
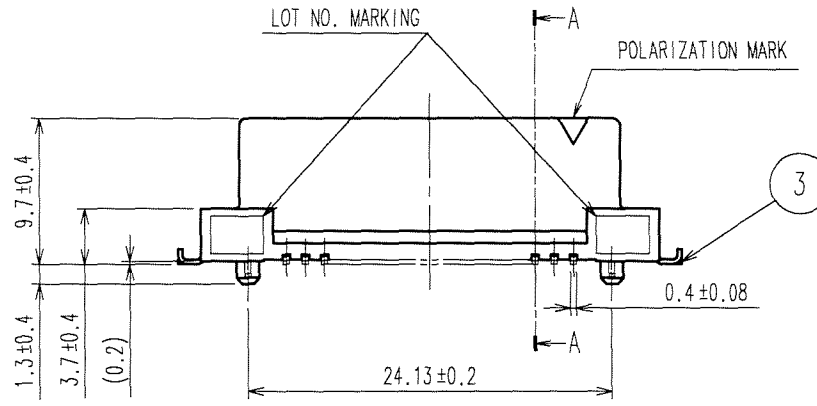
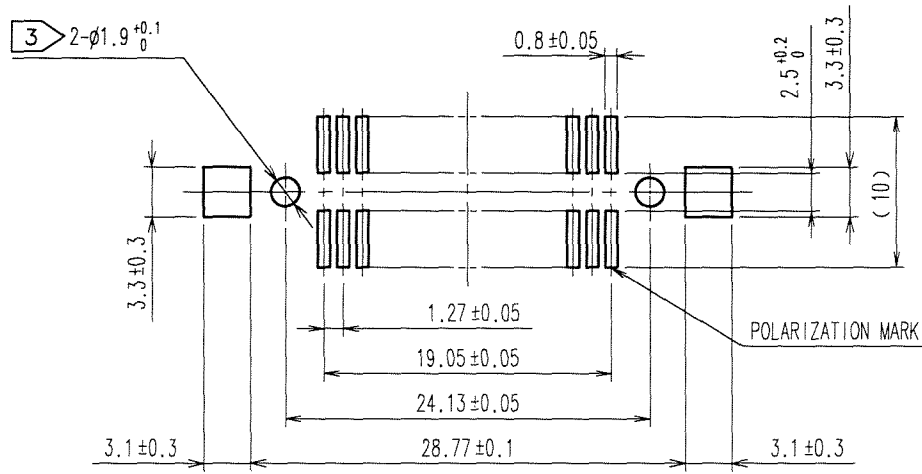
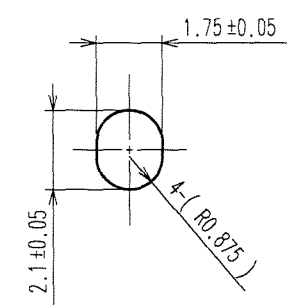
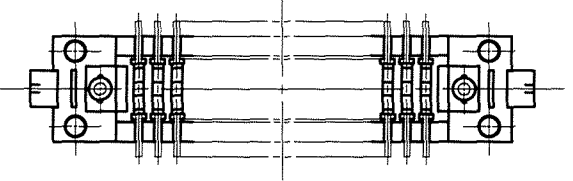


FIG.1 (5:1)



- NOTES
- LEAD CO-PLANARITY SHALL BE 0.15 MAX.
 - THE DIMENSIONS IN PARENTHESES ARE FOR REFERENCE.
 - IN CASE OF THE AUTOMATED MOUNTING, RECOMMENDED HOLE DIAMETER OF BOSS IS SHOWN IN FIG.1.



TO
PCK

1		PPS	LIGHT BROWN (UL94V-0)	3		BRASS	TIN-PLATING
2				2		PHOSPHOR BRONZE	CONTACT AREA:GOLD 0.2μm min. LEAD AREA:TIN-PLATING 2μm min. UNDER PLATING:NICKEL 1.5μm min.
NO.	MATERIAL	FINISH, REMARKS		NO.	MATERIAL	FINISH, REMARKS	
CODE NO. (OLD) CL				DRAWN	DESIGNED	CHECKED	APPROVED
				A.SUZUKAWA 06.07.19	H. Nakamura 06.07.19	T. Ogawa 06.07.19	H. Okawa 06.07.19
DRAWING NO. EDC3-082758-21				PART NO. FX2-32S-1.27SVL(71)			
UNITS mm				CODE NO. CL572-2152-4-71			
				1/1			