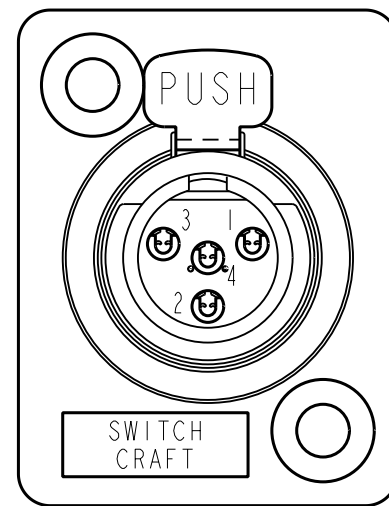
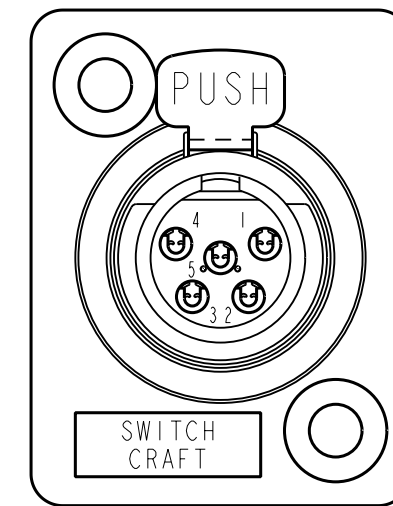


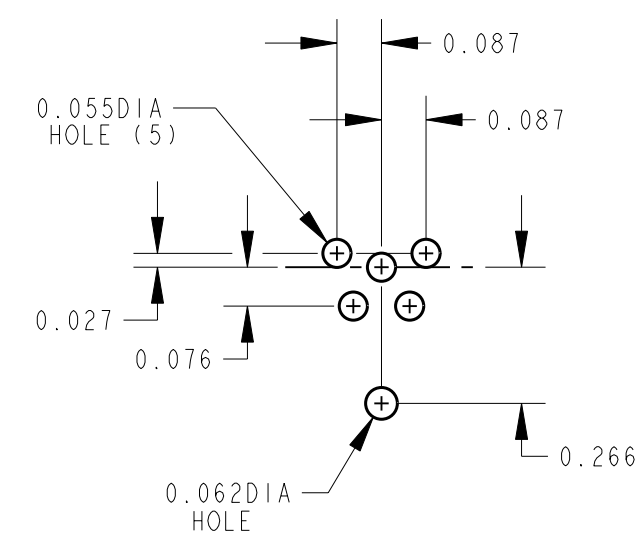
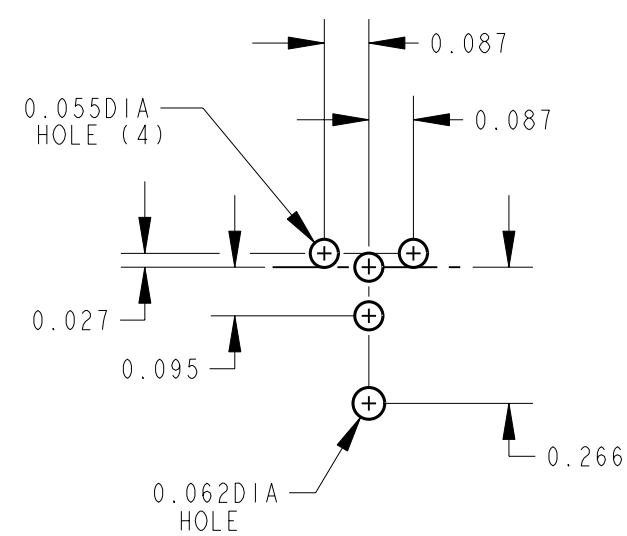
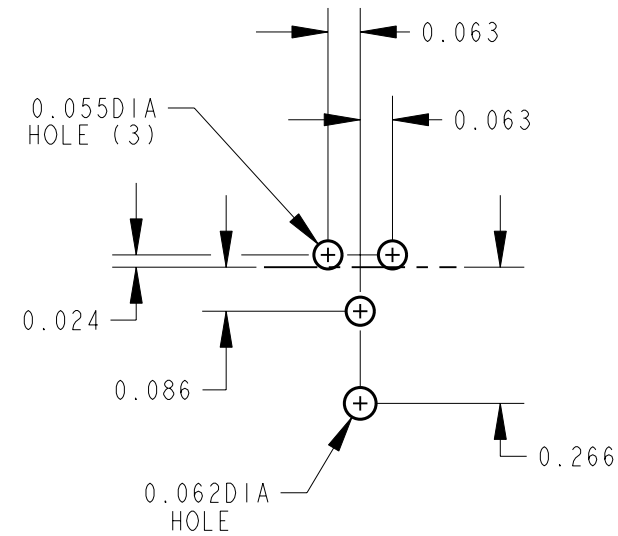
3 PIN



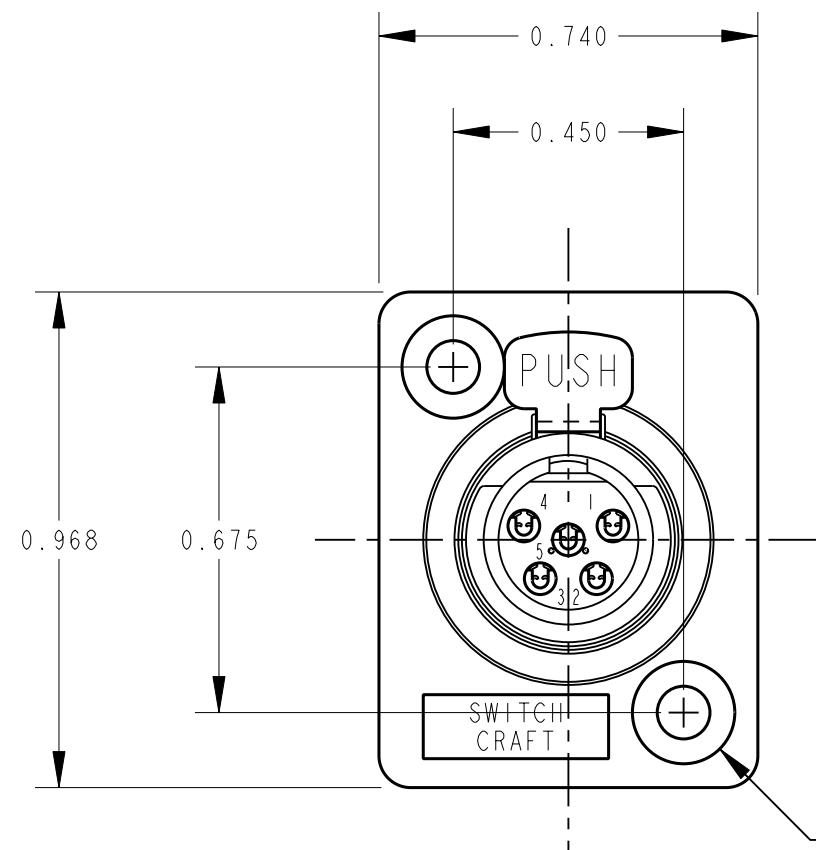
4 PIN



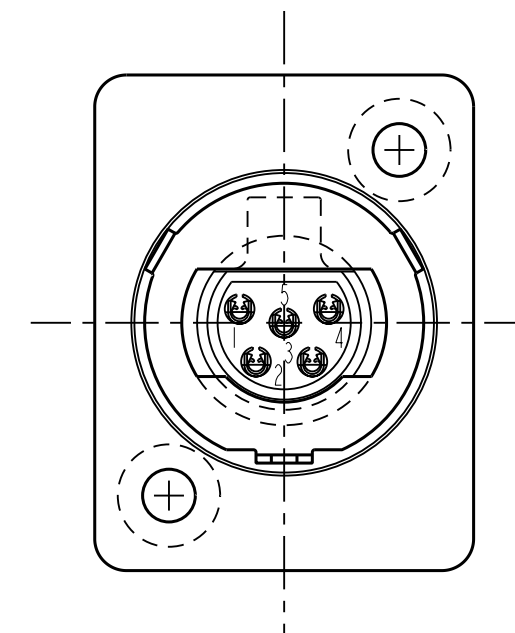
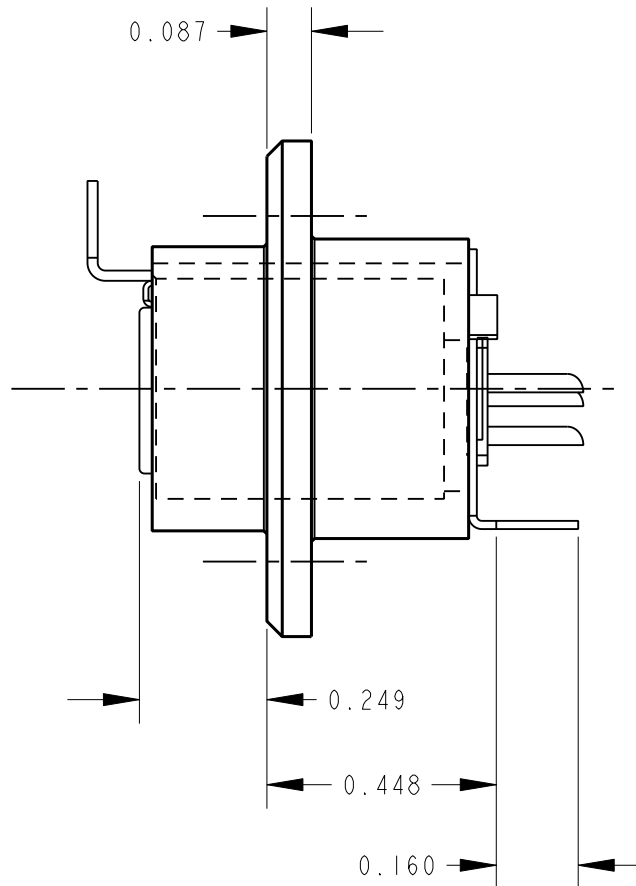
5 PIN



P.C. BOARD LAYOUTS



0.103 DIA. HOLE
C-SINK 0.200 DIA.
TYP



MATERIALS:

- LOCK RING - BRASS, ELECTRO TIN PLATED
- PANEL HOUSING - ZINC, NICKEL PLATED
- INSULATORS - PPS
- HOUSING - BRASS, NICKEL PLATED
- LATCH - BERYLLIUM COPPER, NICKEL PLATED
- RELEASE LEVER - STEEL, NICKEL PLATED
- LEVER SPRING - STEEL, COPPER PLATED
- CONTACTS - BERYLLIUM COPPER, SILVER PLATED

NOTE:

1. ALL DIMENSIONS ARE FOR REFERENCE PURPOSES ONNLY UNLESS OTHERWISE SPECIFIED.

CUSTOMER DRAWING

CAD/CAM DWG. NO.
TY_FPC_CD
SHEET 1 OF 1

<p>★ STAR SYMBOL DENOTES CRITICAL DIMENSION. SEE S/C ENGINEERING STANDARD ES-0001</p>				<p>THIS DRAWING DESCRIBES A DESIGN CONSIDERED PROPRIETARY IN NATURE, DEVELOPED AND MANUFACTURED BY SWITCHCRAFT INC. AND IS RELEASED ON A CONFIDENTIAL BASIS FOR IDENTIFICATION PURPOSE ONLY.</p>					
<p>UNLESS OTHERWISE SPECIFIED</p>				SIZE	WIDTH	MULT	LBS./M	TEMPER	
E	ECO #20090	7-3-97	OM	JJ	FINISH			MATERIAL	
D	ECO #20089	7-3-97	OM	JJ	SPEC. NO.			SPEC. NO.	
C	ECO #20088	7-3-97	OM	JJ	FIRST USED ON			SCALE	
B	ECO #19805	7-10-95	RC	GHJ	DATE DRAWN			BY	
A	FIRST DRAWN ECO #18467	3-30-95	SG	GHJ	3-30-95			SG	
<p>ISSUE CHANGE NO. DATE BY APP'D</p>				<p>1. ALL DIMENSIONS IN INCHES TWO PLACE DECIMAL ±.01 THREE PLACE DECIMAL ±.005 FRACTIONAL DIMENSIONS ±1/64 ANGLES ±1/2° ALL DIA'S CONCENTRIC WITHIN .005 T.I.R. 2. REMOVE ALL BURRS 3. MAKE NO DIMENSIONAL ALLOWANCES FOR APPLIED FINISHES, I.E., PLATING, PAINTING, ETC. 4. HOLES ON THE SAME CENTERLINE MUST BE ALIGNED WITHIN ±.002</p>			<p>SCALE 1 = 0.375</p>		<p>Switchcraft®</p>
<p>REVISIONS</p>				<p>NAME TINI QG SERIES</p>			<p>PART NO. TY*FPC</p>		
				<p>DO NOT SCALE DRAWING</p>			<p>ISSUE E</p>		

