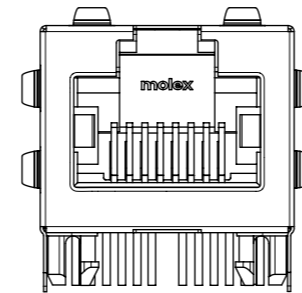
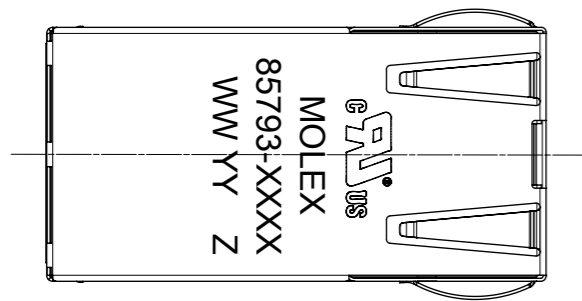


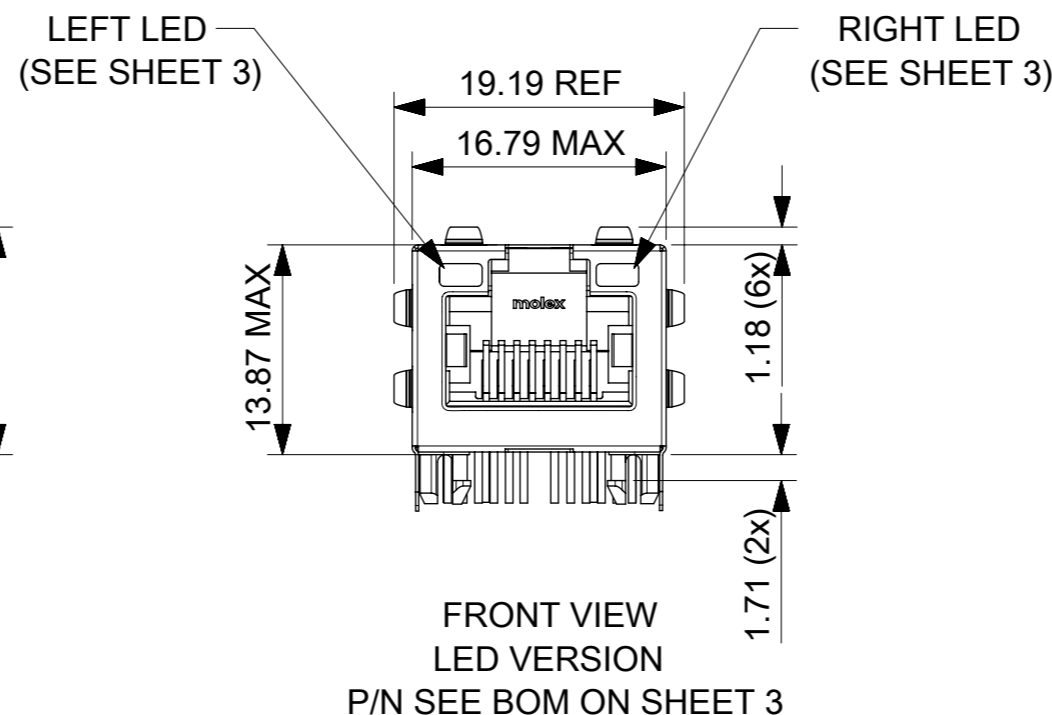
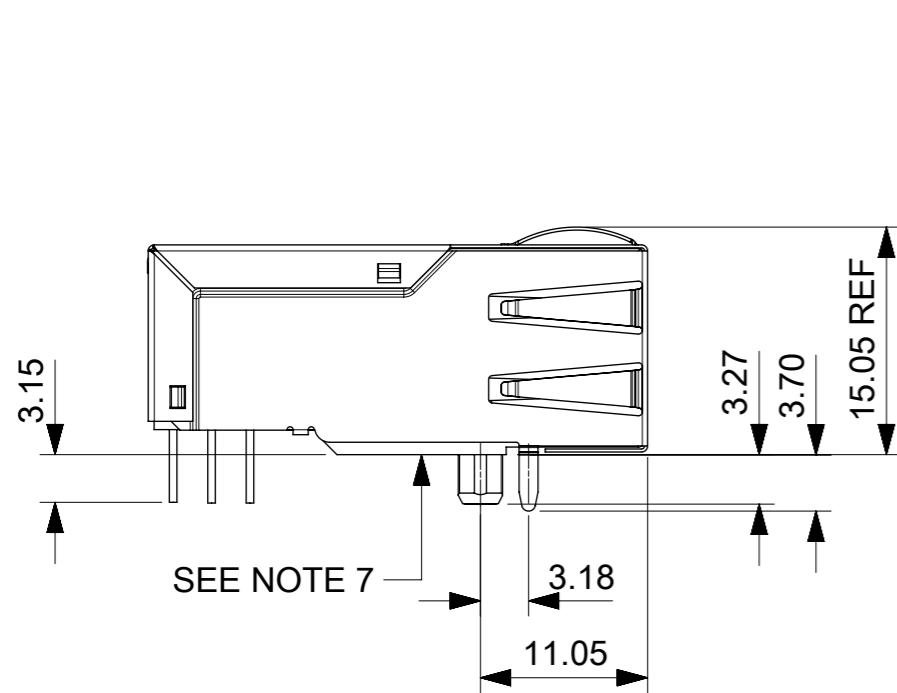
GIGABIT MAGNETIC JACK 1x1 LED

NOTES:

- 1 - SHIELD MATERIAL: STAINLESS STEEL
(GROUND PINS ARE SOLDER DIPPED)
- 2 - PLASTIC MATERIAL: PBT, BLACK, UL 94V-0
- 3 - RJ45 TERMINALS MATERIAL: COPPER ALLOY
CONTACT PLATING: 0.76 MICROMETER GOLD
OVER 1.9 MICROMETER NICKEL
PHY TERMINALS: TIN PLATED
- 4 - MATING INTERFACE ACCORDING TO IEC 60603-7
- 5 - PRODUCT SPECIFICATION: PS-85793-001
- 6 - PACKAGING SPECIFICATION: PK-85759-001
- 7 - STAND OFF TO SYSTEM BOARD
- 8 - RECOMMENDED PCB THICKNESS: 1.6mm
- 9 - SHIELD LATCHES: AVOID TO ROUTE
TRACES OR TO PLACE ANY VIAS OR PADS
BELOW THESE LATCHES
- 10 - INSCRIPTION MARKED BY LASER:
UL LOGO
1st : MOLEX
2st : P/N (SEE BOM)
3rd : DATE CODE(WEEK/YEAR)

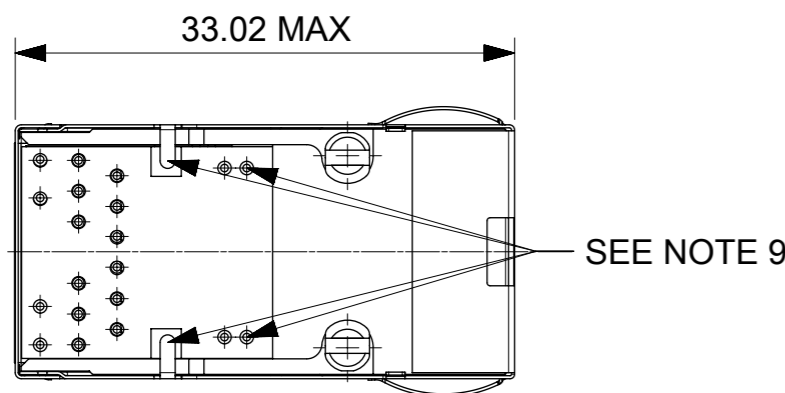
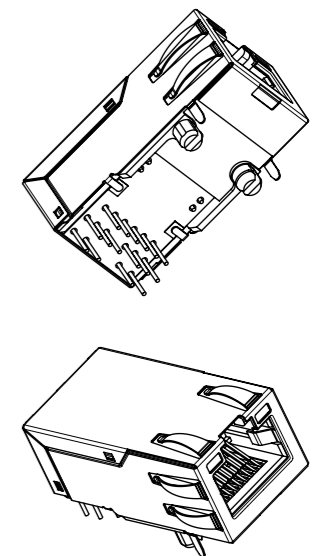


FRONT VIEW
NON LED VERSION
P/N 85793-1020



FRONT VIEW
LED VERSION
P/N SEE BOM ON SHEET 3

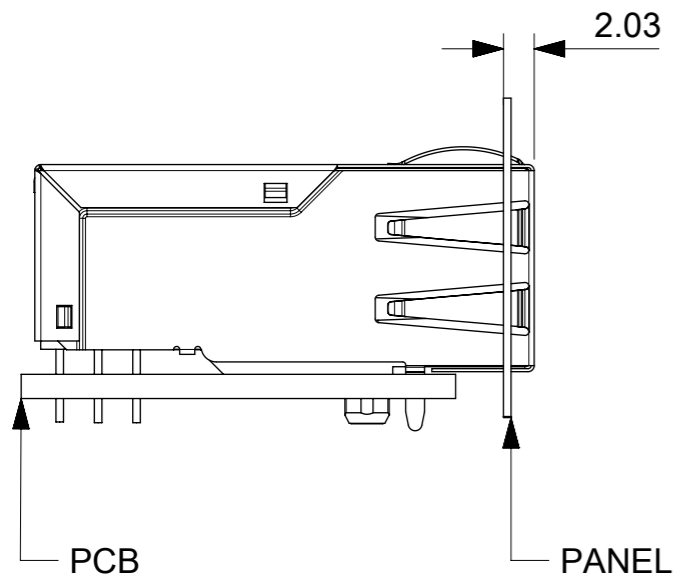
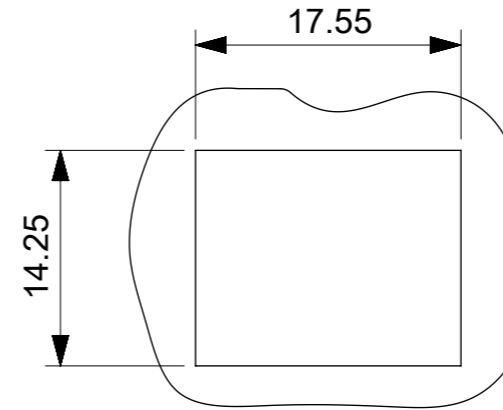
SCALE 1:1



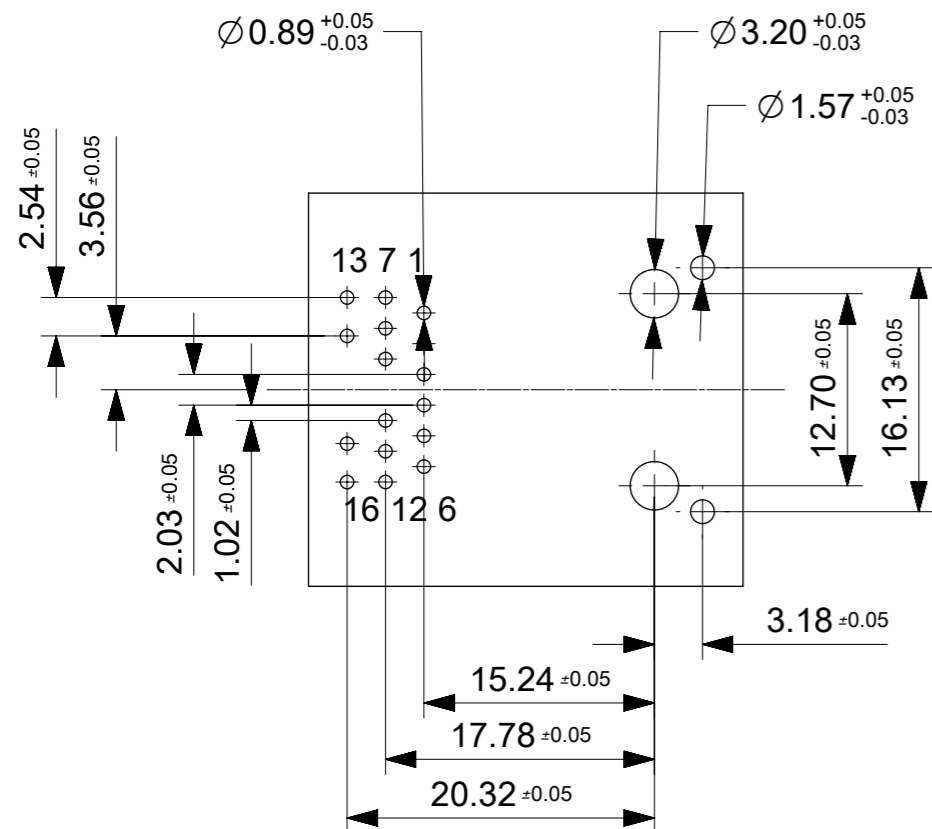
THIS DRAWING CONTAINS INFORMATION THAT IS PROPRIETARY TO MOLEX INCORPORATED AND SHOULD NOT BE USED WITHOUT WRITTEN PERMISSION

EC DESCRIPTION EC NO: 101432 DRWN: MFURKEL CHK'D: APPR: RSILLER	2015/09/24 2016/02/15	QUALITY SYMBOLS ▽ = 0 ▽ = 0 ▽ = 0 ▽ = 0 ▽ = 0 ▽ = 0 ▽ = 0 ▽ = 0	GENERAL TOLERANCES (UNLESS SPECIFIED)		DIMENSION UNITS	SCALE				
			ANGULAR TOL ± 0.5 °		MM	2:1				
			4 PLACES ±	3 PLACES ±	DRWN BY	DATE	GIGABIT MAGNETIC JACK 1X1 LED			
			2 PLACES ± 0.25	1 PLACE ± 0.5	MFURKEL	2015/06/15				
0 PLACES ±	DRAFT WHERE APPLICABLE MUST REMAIN WITHIN DIMENSIONS	CHK'D BY	DATE	PRODUCT CUSTOMER DRAWING						
		RSILLER	2015/07/02							
REV				DRAWING SIZE	THIRD ANGLE PROJECTION	SERIES	MATERIAL NUMBER	CUSTOMER		
D				A3		85793	SEE BOM/ SHEET 3/4			
						DOCUMENT NUMBER	DOC TYPE	DOC PART	SHEET NUMBER	
						857931001	PSD	000	1 OF 4	

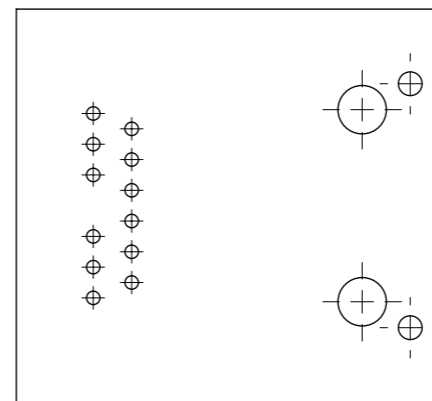
SUGGESTED PANEL CUTOUT



SUGGESTED BOARD LAYOUT- COMPONENT SIDE



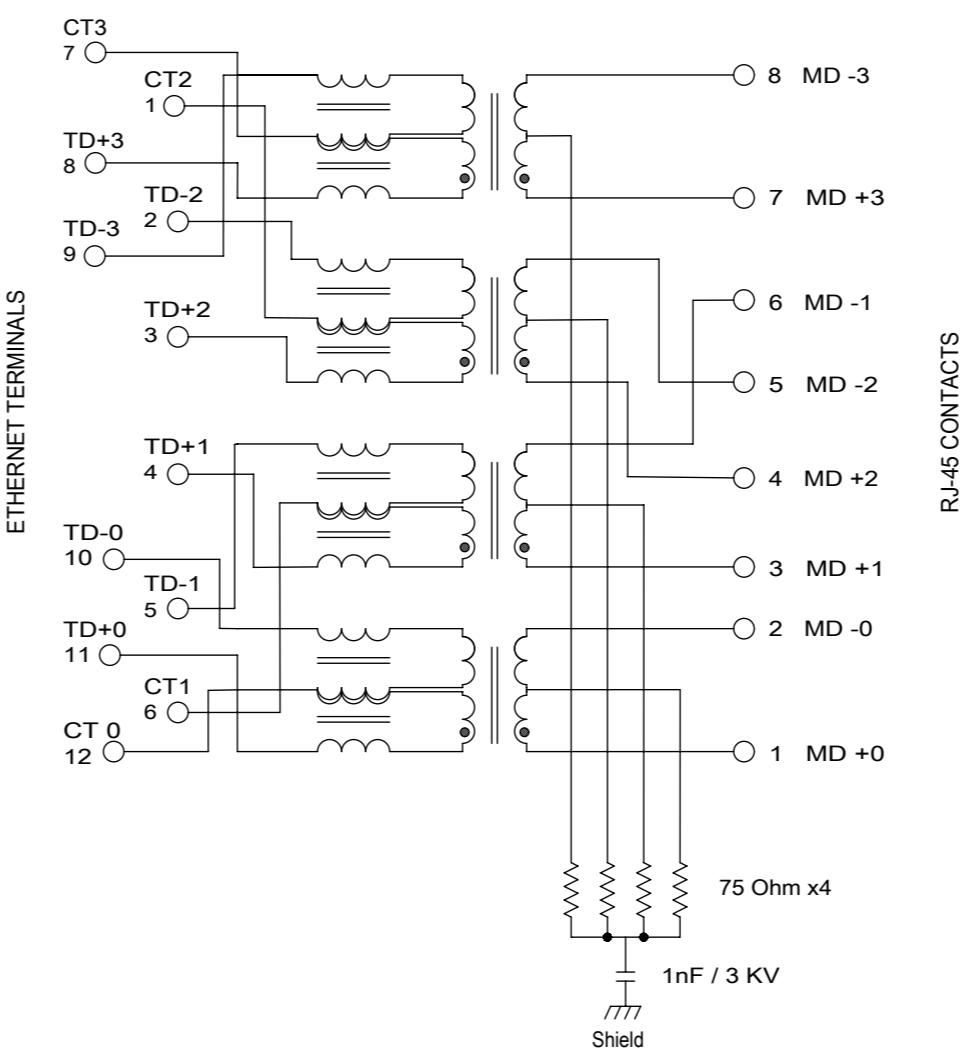
SUGGESTED BOARD LAYOUT FOR NON LED VERSION



THIS DRAWING CONTAINS INFORMATION THAT IS PROPRIETARY TO MOLEX INCORPORATED AND SHOULD NOT BE USED WITHOUT WRITTEN PERMISSION											
EC DESCRIPTION EC NO: 101432 DRWN: MFURKEL CHK'D: REV: D	2015/09/24	2016/02/15	QUALITY SYMBOLS ▽ = 0 ▽ = 0 ▽ = 0 ▼ = 0 ▽ = 0 ☒ = 0 ■ = 0 ▽ = 0	GENERAL TOLERANCES (UNLESS SPECIFIED)		DIMENSION UNITS	SCALE				
				ANGULAR TOL ± 0.5 °		MM	2:1				
				4 PLACES ±		DRWN BY	DATE	GIGABIT MAGNETIC JACK 1X1 LED			
				3 PLACES ±		MFURKEL	2015/06/15				
2 PLACES ± 0.25		CHK'D BY	DATE	PRODUCT CUSTOMER DRAWING							
1 PLACE ± 0.5		APPR BY	DATE								
0 PLACES ±		RSILLER	2015/07/02	SERIES	MATERIAL NUMBER	CUSTOMER		SEE BOM/ SHEET 3/4			
DRAFT WHERE APPLICABLE MUST REMAIN WITHIN DIMENSIONS		DRAWING SIZE	THIRD ANGLE PROJECTION	85793	SEE BOM/ SHEET 3/4						
		A3		DOCUMENT NUMBER	DOC TYPE	DOC PART	SHEET NUMBER	857931001 PSD 000 2 OF 4			
				857931001	PSD	000	2 OF 4				

Electrical Specifications @25°C		
Operating temperature (0°C to +70°C)		
Description	VALUE	
OCL 8mA bias (0°C to +70°C)	350µH min.	
Turns Ratio	1CT:1CT	
Insertion Loss		
Frequency (MHz)	Limits (dB max.)	Typical Values (dB max.)
1.0-9.9 MHz	0.4+0.1*log(F)	0.5 @ 10MHz
10-49.9 MHz	0.5+0.3*log(F/10)	0.7 @ 50MHz
50-79.9 MHz	1+1.4*log(F/80)	1.0 @ 80MHz
80-100 MHz	1.3+3*log(F/100)	1.3 @ 100MHz
Return Loss		
Frequency (MHz)	Limits (dB min.)	TYPICAL Values (dB min.)
1-9.9 MHz	27dB min.	27 @ 10MHz
10-100 MHz	27-17*log(F/10)	10 @ 100MHz
CMR		
Frequency (MHz)	Limits (dB min.)	TYPICAL Values (dB min.)
1-9.9 MHz	34dB min.	34 @ 10MHz
10-79.9 MHz	27dB min.	27 @ 80MHz
80-199.9 MHz	27-14.5*log(F/80)	21.5 @ 200MHz
200-399.9 MHz	21.5-39*log(F/200)	10 @ 400MHz
400-1000 MHz	10	10 @ 1000MHz
NEXT		
Frequency (MHz)	Limits (dB min.)	TYPICAL Values (dB min.)
1-5.9 MHz	50	50 @ 6MHz
6-49.9 MHz	45-16*log(F/10)	34 @ 50MHz
50-100 MHz	25-30*log(F/100)	25 @ 100MHz
Isolation PHY to Wire side	2.25kVDC/60sec	

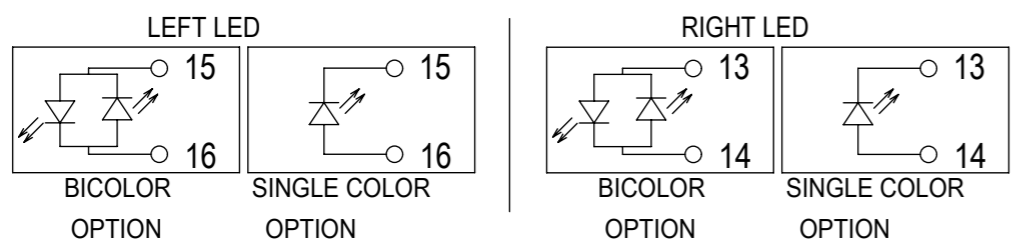
PHY SIDE / PCB SIDE ETHERNET MAGNETICS WIRE SIDE / RJ45



STANDARD VERSION

PART NUMBER	LED1 POLARITY			LED2 POLARITY		
	LEFT LED			RIGHT LED		
	PIN15	PIN16	COLOR	PIN13	PIN14	COLOR
857931001	-	+	GRN	-	+	GRN
0°C~+70°C						
857931003	-	+	GRN	-	+	GRN
0°C~+70°C	+	-	ORG			
857931006	-	+	GRN	-	+	YW
0°C~+70°C						
857931007	-	+	GRN	-	+	GRN
0°C~+70°C	+	-	YW			
857931010	-	+	GRN	-	+	YW
0°C~+70°C	+	-	YW	+	-	GRN
857931012	-	+	YW	-	+	GRN
0°C~+70°C	+	-	GRN			
857931013	-	+	YW	-	+	YW
0°C~+70°C	+	-	GRN	+	-	GRN
857931014	-	+	YW	-	+	GRN
0°C~+70°C						
857931020	NON LED					
0°C~+70°C						

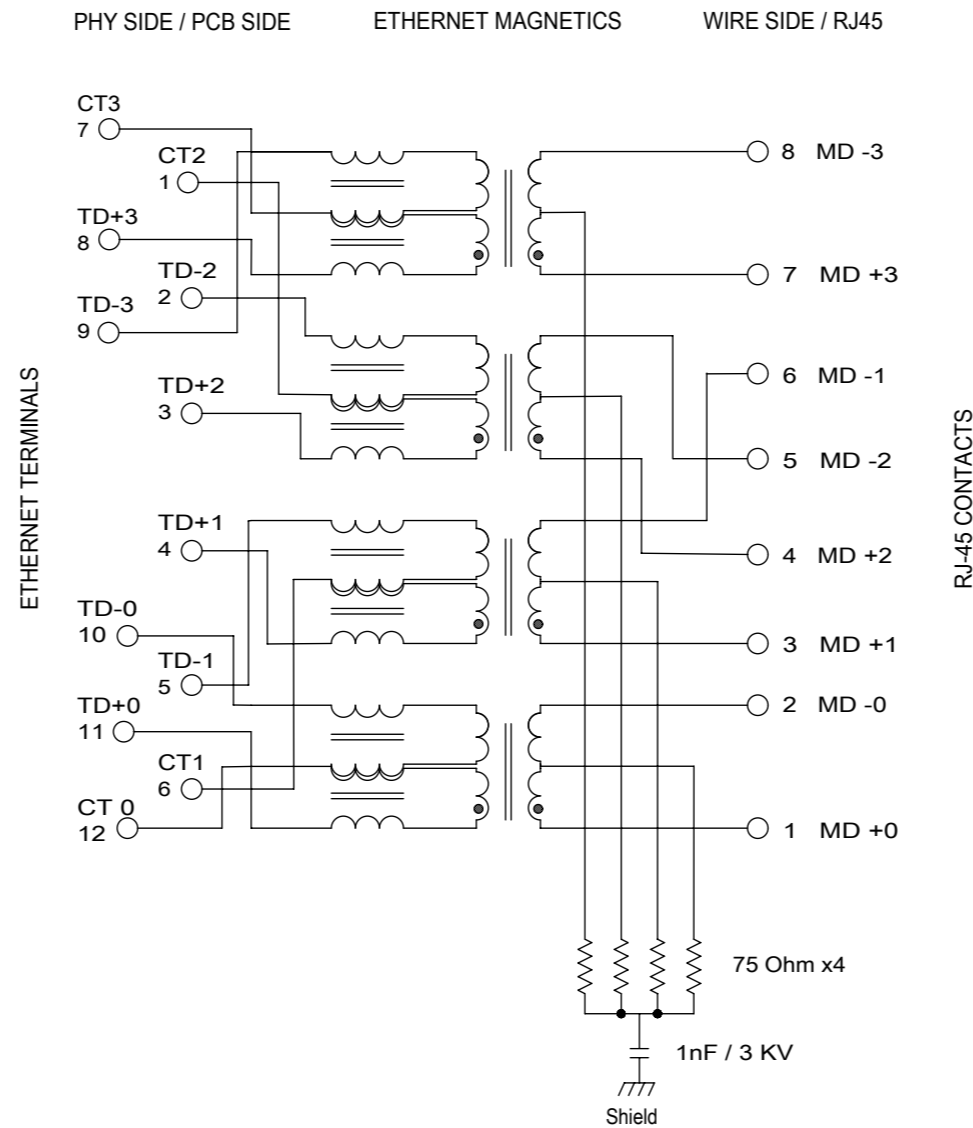
ADDITIONAL LED COLORS AND CONFIGURATIONS ARE AVAILABLE ON REQUEST



THIS DRAWING CONTAINS INFORMATION THAT IS PROPRIETARY TO MOLEX INCORPORATED AND SHOULD NOT BE USED WITHOUT WRITTEN PERMISSION

EC DESCRIPTION EC NO: 101432 DRWN: MFURKEL CHK'D: APPR: RSILLER REV:	2015/09/24	2016/02/15	QUALITY SYMBOLS	GENERAL TOLERANCES (UNLESS SPECIFIED) ANGULAR TOL ± 0.5 ° 4 PLACES ± 3 PLACES ± 2 PLACES ± 0.25 1 PLACE ± 0.5 0 PLACES ± DRAFT WHERE APPLICABLE MUST REMAIN WITHIN DIMENSIONS	DIMENSION UNITS	SCALE			
			▼ = 0 ▽ = 0 ▽ = 0 ▼ = 0 ▽ = 0 ▽ = 0 ▽ = 0 ▽ = 0		MM	5:1			
					DRWN BY	DATE		MFURKEL	2015/06/15
					CHK'D BY	DATE			
					APPR BY	DATE	PRODUCT CUSTOMER DRAWING		
					RSILLER	2015/07/02	SERIES		
							MATERIAL NUMBER		
							CUSTOMER		
							85793		
							SEE BOM/ SHEET 3/4		
							DOCUMENT NUMBER		
							857931001		
							DOC TYPE		
							PSD		
							DOC PART		
							000		
							SHEET NUMBER		
							3 OF 4		

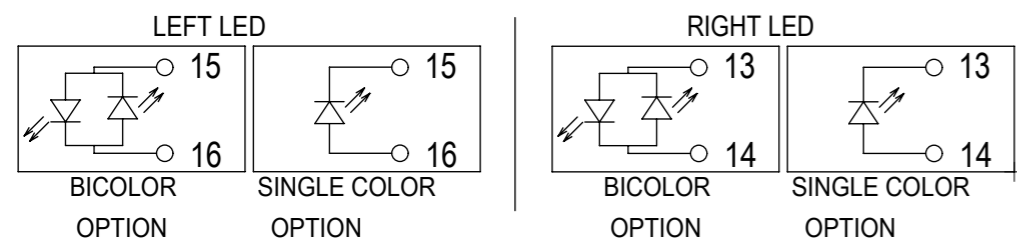
Electrical Specifications @25°C		
Operating temperature (-40°C to +85°C)		
Description	VALUE	
OCL 8mA bias (-40°C to +85°C)	350µH min.	
Turns Ratio	1CT:1CT	
Insertion Loss		
Frequency (MHz)	Limits (dB max.)	Typical Values (dB max.)
1.0-9.9 MHz	0.4+0.1*log(F)	0.5 @ 10MHz
10-49.9 MHz	0.5+0.3*log(F/10)	0.7 @ 50MHz
50-79.9 MHz	1+1.4*log(F/80)	1.0 @ 80MHz
80-100 MHz	1.3+3*log(F/100)	1.3 @ 100MHz
Return Loss		
Frequency (MHz)	Limits (dB min.)	TYPICAL Values (dB min.)
1-9.9 MHz	27dB min.	27 @ 10MHz
10-100 MHz	27-17*log(F/10)	10 @ 100MHz
CMR		
Frequency (MHz)	Limits (dB min.)	TYPICAL Values (dB min.)
1-9.9 MHz	34dB min.	34 @ 10MHz
10-79.9 MHz	27dB min.	27 @ 80MHz
80-199.9 MHz	27-14.5*log(F/80)	21.5 @ 200MHz
200-399.9 MHz	21.5-39*log(F/200)	10 @ 400MHz
400-1000 MHz	10	10 @ 1000MHz
NEXT		
Frequency (MHz)	Limits (dB min.)	TYPICAL Values (dB min.)
1-5.9 MHz	50	50 @ 6MHz
6-49.9 MHz	45-16*log(F/10)	34 @ 50MHz
50-100 MHz	25-30*log(F/100)	25 @ 100MHz
Isolation PHY to Wire side	2.25kVDC/60sec	



INDUSTRIAL VERSION / HIGH TEMP

857933006	-	+	GRN	-	+	YW
-40°C~+85°C						
857933007	-	+	GRN	-	+	GRN
-40°C~+85°C	+	-	YW			

ADDITIONAL LED COLORS AND CONFIGURATIONS ARE AVAILABLE ON REQUEST



THIS DRAWING CONTAINS INFORMATION THAT IS PROPRIETARY TO MOLEX INCORPORATED AND SHOULD NOT BE USED WITHOUT WRITTEN PERMISSION

EC DESCRIPTION EC NO: 101432 DRWN: MFURKEL CHK'D: APPR: RSILLER	2015/09/24	QUALITY SYMBOLS ▽ = 0 ▽ = 0 ▽ = 0 ▼ = 0 ▽ = 0 ☒ = 0 ■ = 0 ▽ = 0	GENERAL TOLERANCES (UNLESS SPECIFIED)		DIMENSION UNITS	SCALE	
			ANGULAR TOL ± 0.5 °		MM	5:1	
			4 PLACES ±	DRWN BY		DATE	
			3 PLACES ±	MFURKEL	2015/06/15		
	2 PLACES ± 0.25	CHK'D BY		DATE	PRODUCT CUSTOMER DRAWING		
	1 PLACE ± 0.5	APPR BY		DATE	SERIES		
	0 PLACES ±	RSILLER		2015/07/02	85793	MATERIAL NUMBER	
	DRAFT WHERE APPLICABLE MUST REMAIN WITHIN DIMENSIONS	DRAWING SIZE		THIRD ANGLE PROJECTION	SEE BOM/ SHEET 3/4		CUSTOMER
		A3			DOCUMENT NUMBER		DOC TYPE
					857931001		PSD
					DOC PART		DOC PART
					000		000
					SHEET NUMBER		SHEET NUMBER
					4 OF 4		4 OF 4