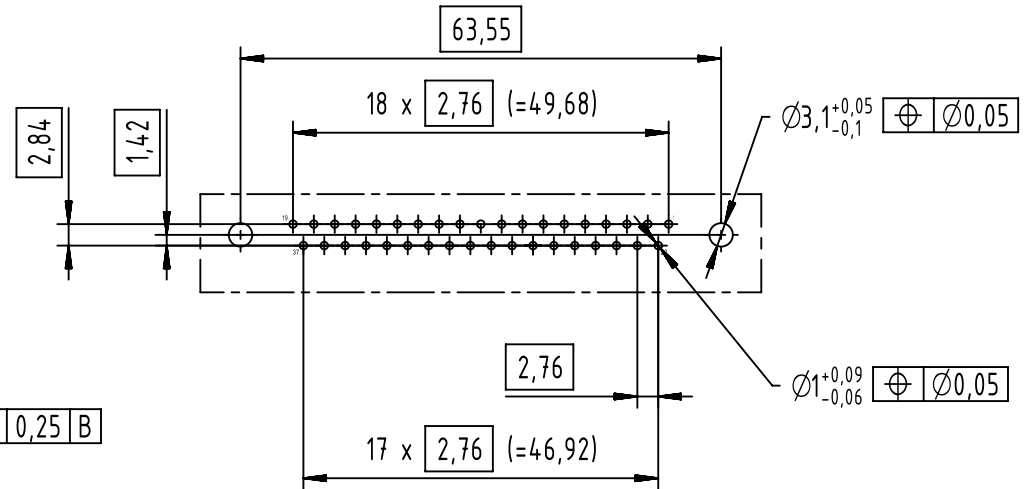
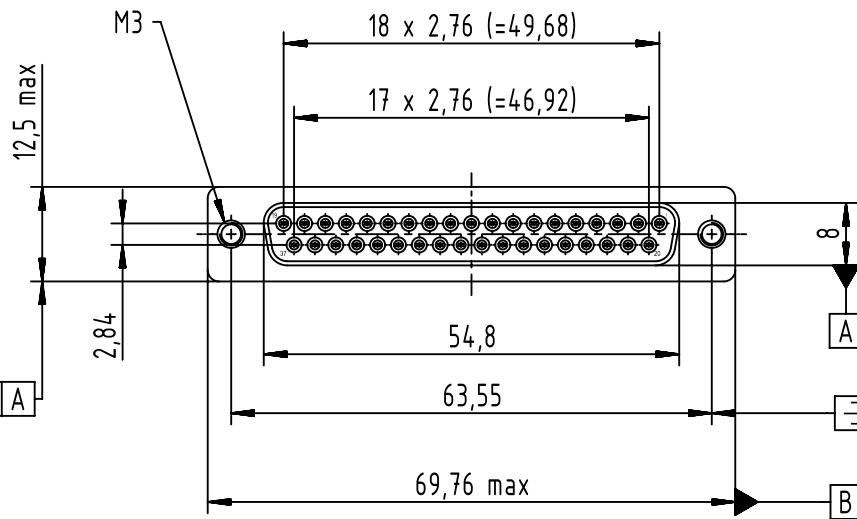


PC-Board layout
view component side
thickness up to 3,2 mm



All Dimensions in mm
Original Size DIN A4

Scale
1:1

Free size tol.

Ref.

Sub.



All rights reserved
Department EC PD - FR

Created by
LAVERGNEC

Inspected by
BAGDIKIAN

Standardisation
HOFFMANN

Date
2014-03-21

State
Final Release

HARTING Electronics GmbH
D-32339 Espelkamp

Title
D-Sub 37-pole straight female press-in

Type
TB

Number
0966454X511

Doc-Key / ECM-Nr.
100571955/UGD/001/A
500000072779

Rev.
A

Page
1/1

D	09664547511	3	6	4,20
	09664546511	2	6	4,20
	09664545511	S4 or PdNi equivalent	6	4,20
	Part number	Performance level	A +/- 0,2	B +/- 0,2