

D-SUB contact support - VS-09-BU-DSUB-2P - 1688421

Please be informed that the data shown in this PDF Document is generated from our Online Catalog. Please find the complete data in the user's documentation. Our General Terms of Use for Downloads are valid (<http://phoenixcontact.com/download>)

D-SUB contact carrier, shell size 1, accommodation for two combined contacts, type of contact socket, straight, fixing with a 3 mm hole, for panel mounting frame and sleeve housing VS-09-...



Key Commercial Data

Packing unit	10 STK
GTIN	
GTIN	4017918818357

Technical data

Mechanical characteristics

Number of positions	2
Insertion/withdrawal cycles	≥ 500
Connection method	Fitting to accept combined contact
Mounting type	Hole
Type	09
Size of housing	1
Type of note	Order information:
Note	The contacts must be ordered separately since they are not included in the scope of supply of the contact carriers. Both one male and one female contact must be mounted in the contact carrier.

Ambient conditions

Ambient temperature (operation)	-55 °C ... 125 °C
---------------------------------	-------------------

Material data

Flammability rating according to UL 94	V0
Housing material	Steel, yellow chromated
Contact carrier material	PBTP
Contact surface material	Gold over nickel

D-SUB contact support - VS-09-BU-DSUB-2P - 1688421

Technical data

Electrical characteristics

Number of positions	2
---------------------	---

Standards and Regulations

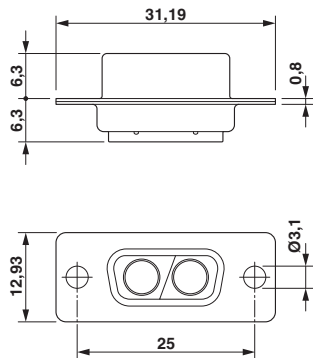
Flammability rating according to UL 94	V0
--	----

Environmental Product Compliance

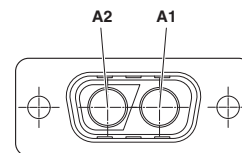
China RoHS	Environmentally friendly use period: unlimited = EFUP-e
	No hazardous substances above threshold values

Drawings

Dimensional drawing



Schematic diagram



D-SUB contact carrier

Approvals

Approvals

Approvals

UL Recognized / EAC

Ex Approvals

Approval details

UL Recognized		http://database.ul.com/cgi-bin/XYV/template/LISEXT/1FRAME/index.htm	FILE E 118976
---------------	--	---	---------------

D-SUB contact support - VS-09-BU-DSUB-2P - 1688421

Approvals

EAC



B.01742

Phoenix Contact 2018 © - all rights reserved
<http://www.phoenixcontact.com>

PHOENIX CONTACT GmbH & Co. KG
Flachsmarktstr. 8
32825 Blomberg
Germany
Tel. +49 5235 300
Fax +49 5235 3 41200
<http://www.phoenixcontact.com>