

PART NAME: KNOB SCALE: 1:1 DATE: 4/6/81 DR. BY NH

THIS DRAWING IS THE PROPERTY OF DAVIES MOLDING COMPANY, IS SUBMITTED SOLELY AS A DESIGN OR ENGINEERING PROJECT. WE ACCEPT NO RESPONSIBILITY WHATSOEVER FOR THE PRACTICAL APPLICATION OF THE PIECES MADE TO THIS DESIGN.

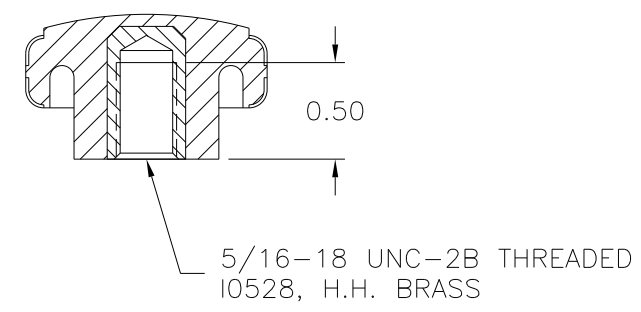
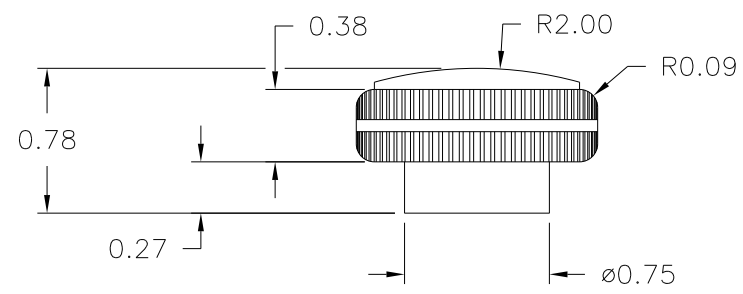
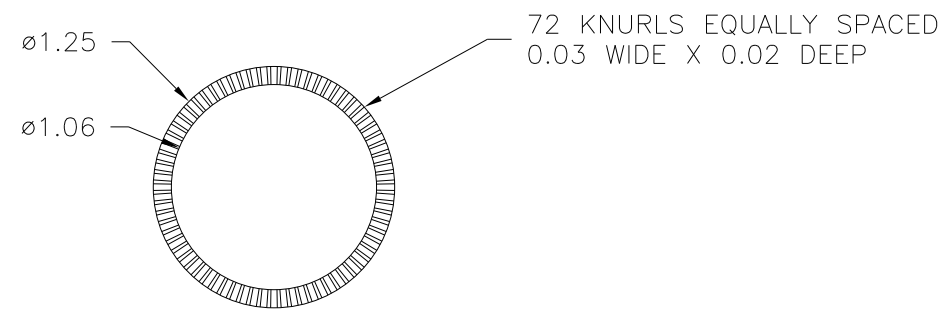


DESIGNERS & MANUFACTURERS OF KNOBS, HANDLES, CASES & CUSTOM PLASTIC COMPONENTS

P/N 3055BA

M^{NO.} 3009

CAVITY	3055
PLUNGER	3055
PIN	3000-K
PIN BAR	3055
PIN BAR	3055
SHIMS (3)	(TOTAL .185)
INSERT	I0528
PLUNGER KEY	1/4x1/8x1-1/4
CAVITY KEY	1/4x1/4x3/4



MATERIAL: G.P. PHENOLIC (B11)
COLOR: BLACK

TOLERANCES: UNLESS OTHERWISE SPECIFIED	DO NOT SCALE DRAWING			
DECIMALS: X.XXX ± .005 X.XX ± .015	MM: X.XX ± 0.15MM X.X ± 0.4MM	-	RE-DID REDRAW	TL 12/1/99
FRACTIONS ± 1/64	ANG. ± 1°	-	CAD REDRAW	?? ?/??/??
CHANGES				