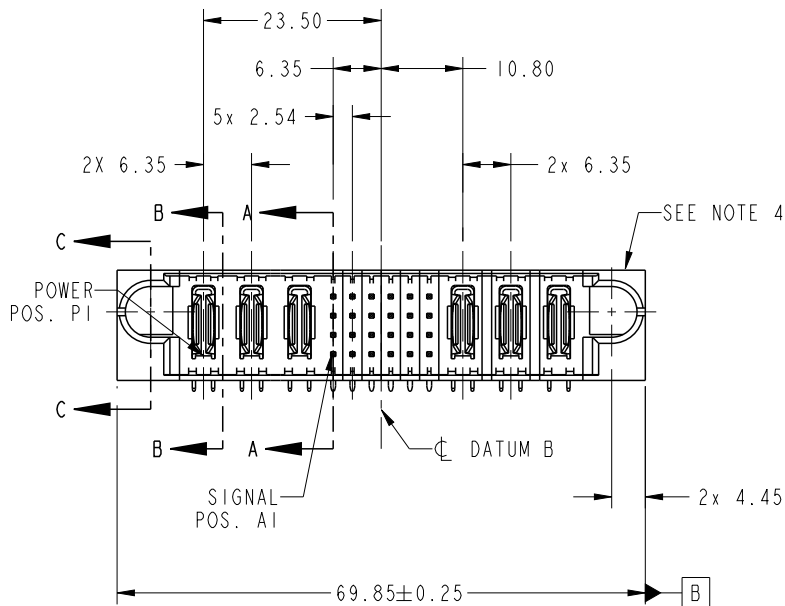


PRODUCT NO.	ROWS	POWER			SIGNAL						POWER			E2	
		E1	P1	P2	P3	1	2	3	4	5	6	P4	P5		P6
51730-215-- NOTE 3	DCBA		PA	PA	PA	UUUUUU	TTTTTT	SSSSSS	RRRRRR			PA	PA	PA	

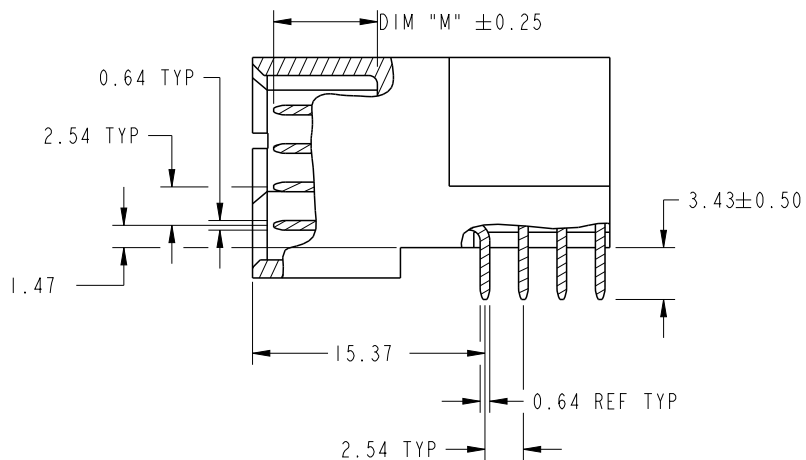


CODE	DIM "M" MATING LENGTH	CONTACT TYPE
U	[6.86]	SIGNAL
T	[6.86]	SIGNAL
S	[6.86]	SIGNAL
R	[6.86]	SIGNAL
F	[5.59]	SIGNAL
PA	[N/A]	POWER

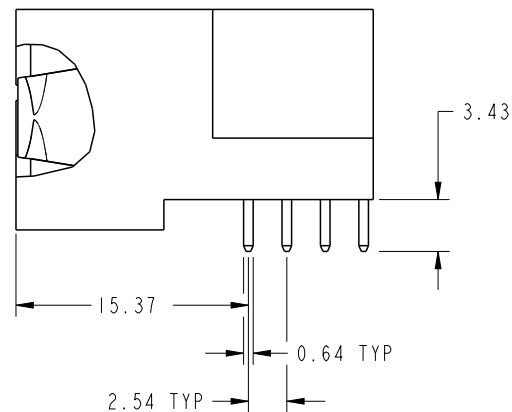
spec ref	*	dr	Ruan MT	2013/11/07	projection	MM	size	A4	scale	1:1
tolerance std	ASME Y14.5	eng	Ruan MT	2014/06/04		←→	ecn no	-	rel level	Released
TOLERANCES UNLESS OTHERWISE SPECIFIED		chr	-	-						
surface	✓	appr	Pei-Ming Zheng	2014/06/04	product family	PwrBlade				
ASME Y14.5	linear	0.X	±0.5		title	3P + 24S + 3P	dwg no	51730-215	rev	A
		0.XX	±0.25							
		0.XXX	±0.1							
	angular	0°	±2°	www.fci.com	cat. no.	-	Product - Customer Drw	sheet 1 of 4		

PRODUCT NUMBER

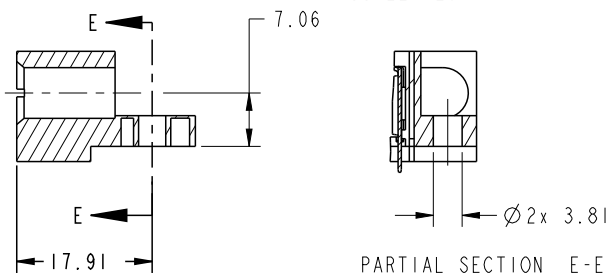
51730-215--
NOTE: 3



BROKEN-OUT SECTION A-A
SCALE 2:1



BROKEN-OUT SECTION B-B
SCALE 2:1



SECTION C-C

PARTIAL SECTION E-E

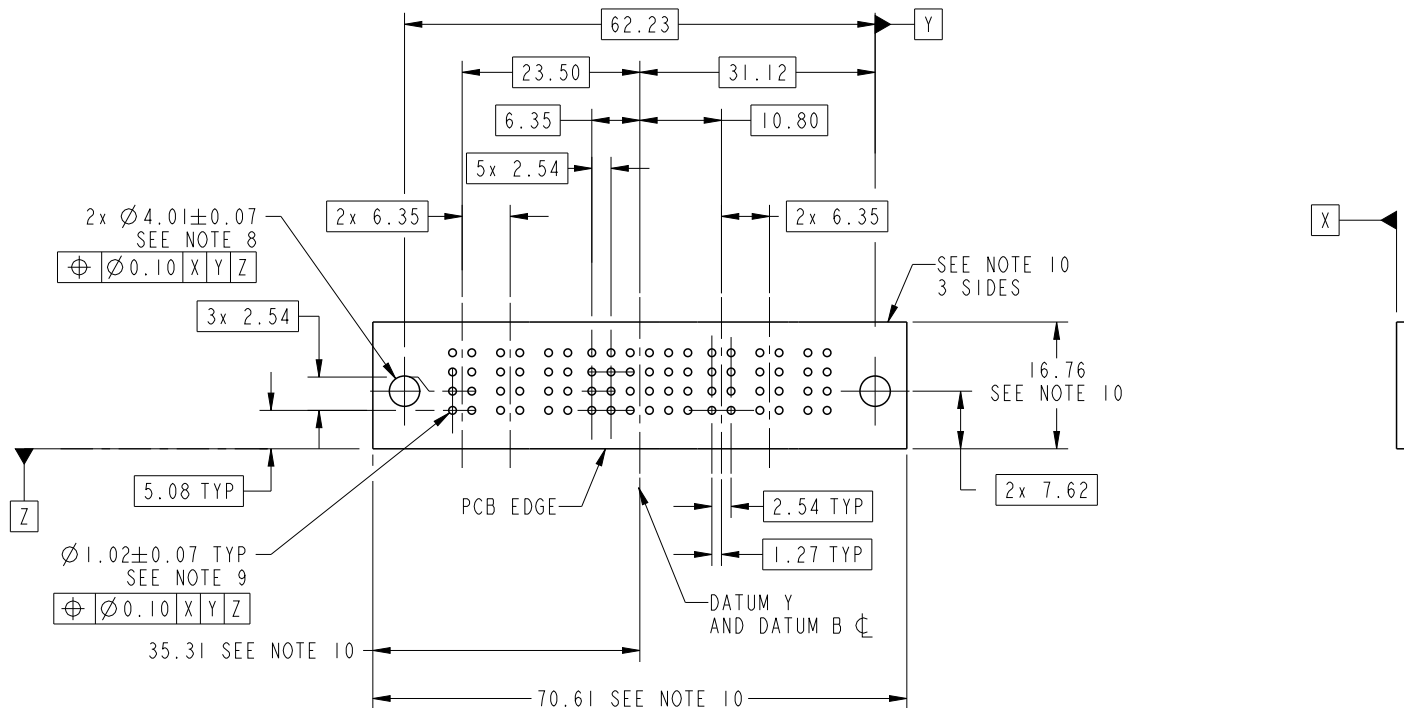
dr	Ruan MT	2013/11/07	projection 	MM 	size	A4	scale	1:1
eng	Ruan MT	2014/06/04			ecn no	-		
chr	-	-			rel level	Released		
appr	Pei-Ming Zheng	2014/06/04	product family	PwrBlade	rev	A		
		title 3P + 24S + 3P RIGHT ANGLE SOLDER HEADER	dwg no 51730-215	rev A				
www.fci.com	cat. no.	-	Product - Customer Drw	sheet 2 of 4				



Copyright FCI.

PRODUCT NUMBER

51730-215__
NOTE: 3



RECOMMENDED PCB LAYOUT

dr	Ruan MT	2013/11/07	projection 	MM 	size	A4	scale	1:1	
eng	Ruan MT	2014/06/04			ecn no	-			
chr	-	-			rel level	Released			
appr	Pei-Ming Zheng	2014/06/04	product family	PwrBlade					
		title	3P + 24S + 3P RIGHT ANGLE SOLDER HEADER		dwg no	51730-215		rev	A
www.fci.com		cat. no.	-		Product - Customer Drw			sheet 3 of 4	

PRODUCT NUMBER
51730-215--
NOTE: 3

NOTES:

1. DIMENSIONS AND TOLERANCES ARE IN ACCORDANCE WITH ASME Y14.5M, 1994 UNLESS OTHERWISE SPECIFIED.

CONNECTOR NOTES:

- 2. HOUSING MATERIAL: UL 94 V-0 GLASS FILLED HIGH-TEMP THERMOPLASTIC
POWER CONTACT MATERIAL: COPPER ALLOY
SIGNAL PIN MATERIAL: COPPER ALLOY
- 3. SEE ITEM 1 & 2 IN PRINT 10064183 FOR PLATING SPEC OF 51730-215 AND 51730-215LF RESPECTIVELY.
- 4. MANUFACTURER'S NAME, DATE CODE AND OPTIONAL P/N TO APPEAR ON THIS SURFACE. THE MARK CAN BE OMITTED IF THERE IS NOT ENOUGH SPACE ON THIS SURFACE.
- 5. PRODUCT SPECIFICATION GS-12-149.
APPLICATION SPECIFICATION BUS-20-067.
- 6. PACKAGED IN TRAYS.

PCB NOTES:

- 7. ALL HOLE DIAMETERS ARE FINISHED HOLE SIZE.
- 8. MOUNTING HOLES, WHERE APPLICABLE, ARE UNPLATED.
- 9. $\varnothing 1.151 \pm 0.025$ DRILLED HOLES PLATED WITH
0.008 MIN SnPb OR Sn OVER 0.03
TO 0.08 Cu PLATING TO ACHIEVE
 $\varnothing 1.02 \pm 0.07$ HOLE.
- 10. CONNECTOR KEEP-OUT ZONE.



Copyright FCI.

dr	Ruan MT	2013/11/07	projection 	MM 	size	A4	scale	1:1			
eng	Ruan MT	2014/06/04			ecn no	-					
chr	-	-			product family	PwrBlade	rel level	Released			
appr	Pei-Ming Zheng	2014/06/04			title	3P + 24S + 3P RIGHT ANGLE SOLDER HEADER		dwg no	51730-215	rev	A
www.fci.com		cat. no.	-	Product - Customer Drw			sheet 4 of 4				