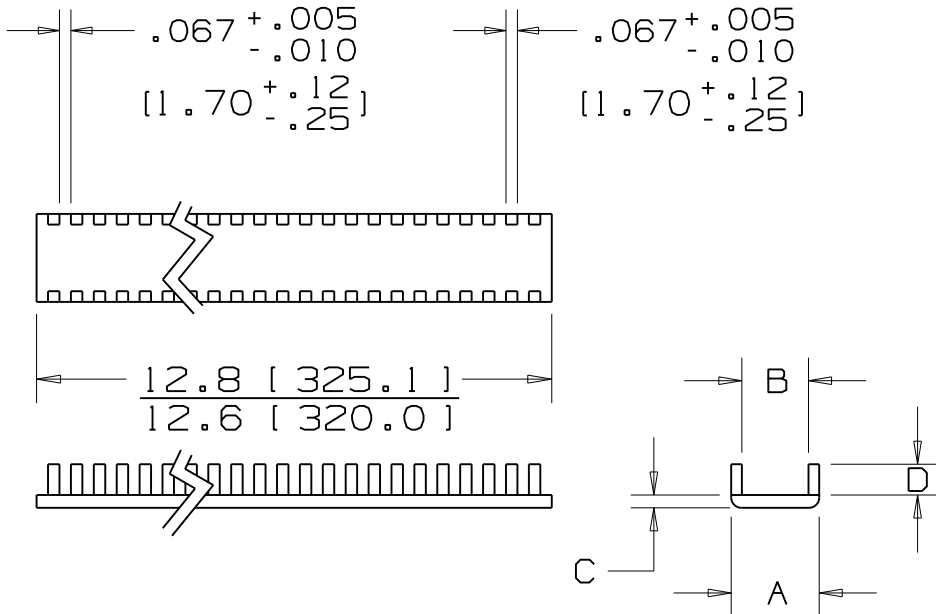


THIS COPY IS PROVIDED ON A RESTRICTED BASIS AND IS NOT TO BE USED IN ANY WAY DETRIMENTAL TO THE INTERESTS OF PANDUIT CORP.



PANDUIT PART NO. *	PLASTIC DIM. in(mm)				PANEL THICKNESS RANGE	WEIGHT lbs (g) /100 pcs
	A +.015 -.005	B +.015 -.005	C +.015 -.005	D +.020 -.005		
GE52-69	.150 (3.81)	.056 (1.42)	.055 (1.40)	.100 (2.54)	.015-.052 (.38-1.32)	.64 (292)
GE85-69	.175 (4.45)	.090 (2.29)	.055 (1.40)	.100 (2.54)	.052-.085 (1.32-2.16)	.69 (312)
GE128-69	.220 (5.59)	.131 (3.33)	.055 (1.40)	.100 (2.54)	.085-.128 (2.16-3.25)	.82 (371)
GE192-69	.325 (8.26)	.195 (4.95)	.070 (1.78)	.160 (4.06)	.128-.192 (3.25-4.88)	1.69 (766)

NOTES:

- 1) SEE CURRENT PRICE SHEET FOR PART NUMBER SUFFIX DESIGNATION FOR PACKAGE SIZE.
- * 2) COLOR--IVORY.
- 3) SLOTTED WALL NYLON EDGING SHOULD BE USED TO DRESS INSIDE PANEL CUT OUTS, AND IS NOT RECOMMENDED FOR OUTSIDE PANEL EDGES.

(DIMENSIONS IN PARENTHESES ARE IN METRIC.)

CAD FILENAME/LAYERS G00239FB_DC_02

PANDUIT CORP. TINLEY PARK, ILLINOIS

GROMMET EDGING--GE
(FLAME RETARDANT)

UNLESS OTHERWISE SPECIFIED,
DIMENSIONAL TOLERANCES ARE:
(.X) ±0.1(2.5) (.XXX) ±0.02(0.5)
(.XX) ±0.05(1.3) ANGLES ±5°

UNLESS OTHERWISE SPECIFIED,
ALL DIMENSIONS ARE GIVEN
IN INCHES, THIRD ANGLE PROJECTION.

REV	DATE	BY	CHK	DESCRIPTION	ECN	R	CUST	SUP
2	8-13-98	CGSM		REMOVED REFERENCE TO NOTE 4	GB0239FB	2		
1	8-5-98	CPE		ADDED NOTE #3, UPDATED FILE NAME	GB0239FB	1		
R	7-15-97	CGSM		INITIAL RELEASE	GB0239FB	R		

DRAWN BY
CGSM
DATE
7-15-97
CHK'D

MAT'L:
NYLON

SCALE NONE
DRAWING NO.
GB0239FB
DWG
A
SIZE