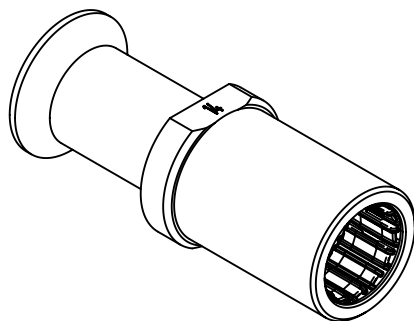



assembly notes see catalog  
 crimp zone acc. to DIN EN 46235; indicator 14  
 for stranded fine wire acc. to VDE 0295 class 5/IEC 60228 class 5  
 wire gauge: 50mm<sup>2</sup>  
 stripping length: 28mm



	All rights reserved Department EL PD - DE	All Dimensions in mm Original Size DIN A4		Scale 2:1	Free size tol.	Ref. Sub.	
		Created by FINKEV	Inspected by SCHNIEDER	Standardisation SCHMIDTM	Date 2015-01-19	State Final Release	
HARTING Electric GmbH & Co. KG D-32339 Espelkamp		Title Han TC350 female contact 50mm <sup>2</sup>				Doc-Key / ECM-Nr. 100175134/UGD/006/A 500000083632	
		Type TB	Number 09 11 000 6241			Rev. A	Page 1/1