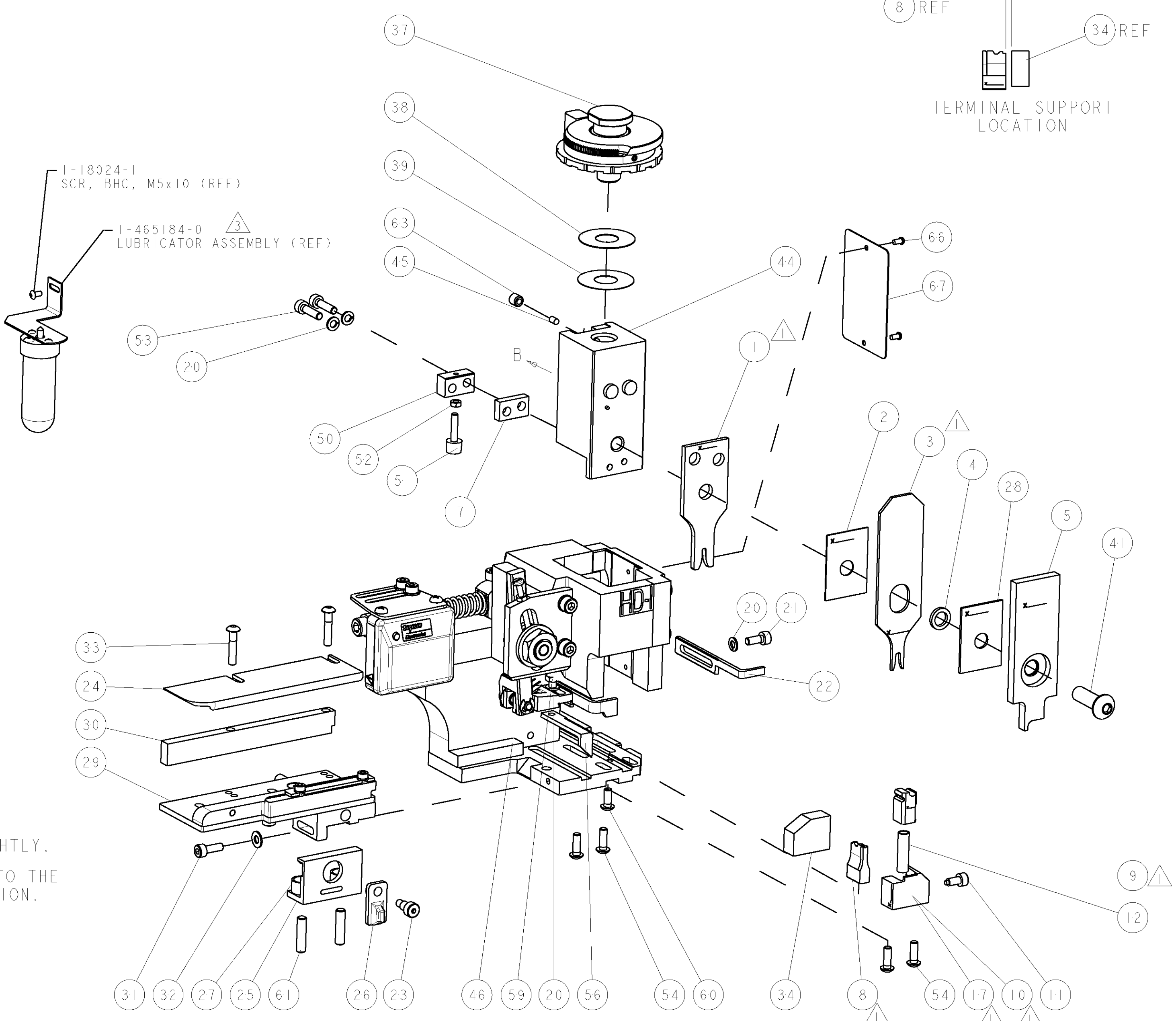
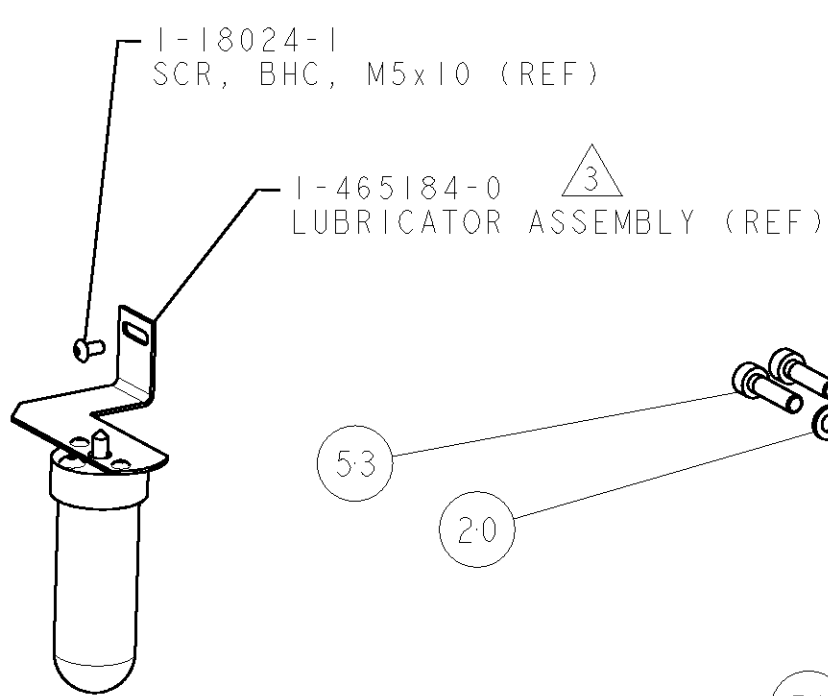
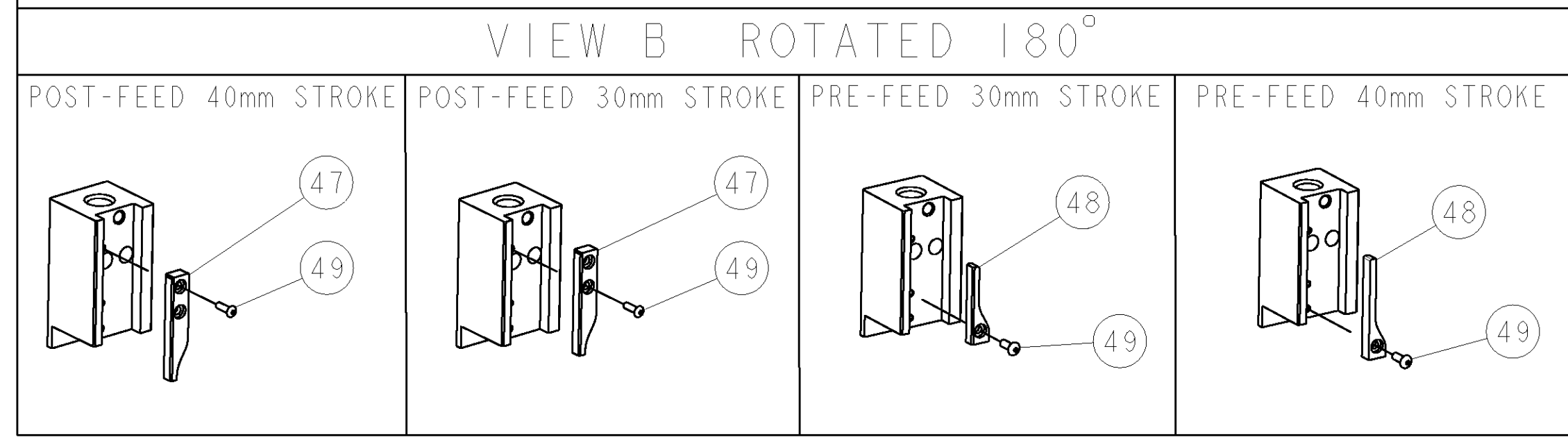


PART NUMBER	REV	TERMINATOR	FEED TYPE	DESCRIPTION
1530016-1	A	LEADMAKER	MECH POST FEED	CUTS CARRIER
1530016-2	A	BENCH	MECH PRE FEED	CUTS CARRIER
1530016-6	A	LEADMAKER	MECH POST FEED	CONTINUOUS CARRIER
7-1530016-1	A	LEADMAKER	MECH POST FEED	-1 AND SPARE PARTS
7-1530016-2	A	BENCH	MECH PRE FEED	-2 AND SPARE PARTS
7-1530016-6	A	LEADMAKER	MECH POST FEED	-6 AND SPARE PARTS
7-1530016-7	A	-	-	SPARE PARTS KIT

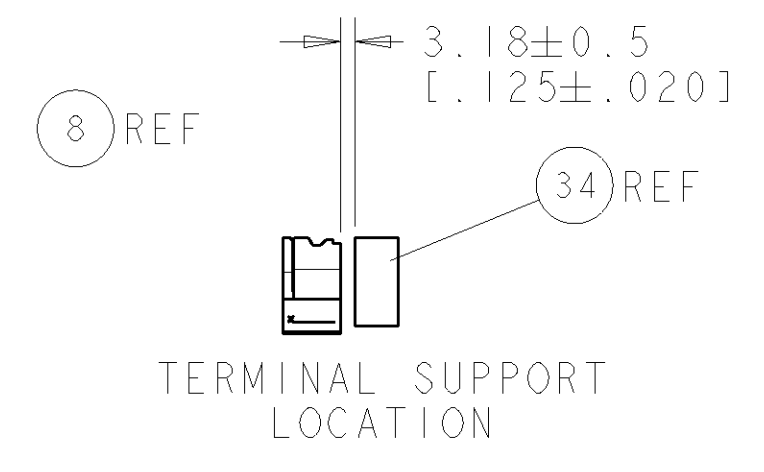
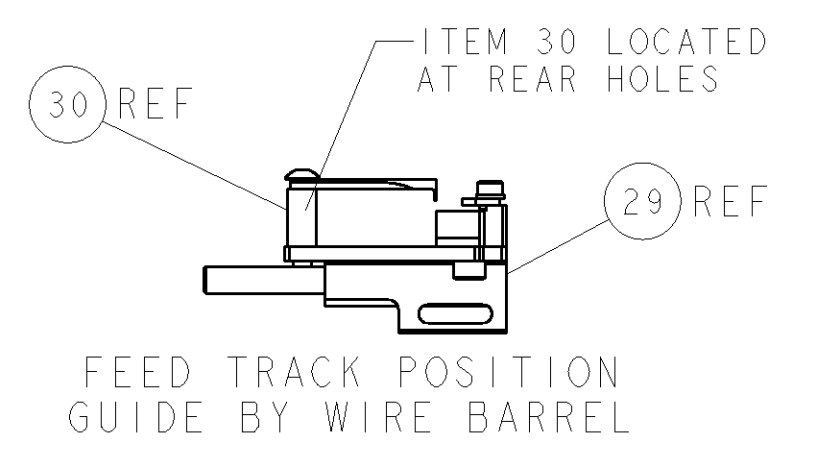
CRIMP DATA		TE TERMINAL		TE CRIMP SPECS	
TERMINAL NAME: SOCKET TYPE III CONTACT					
CRIMP	SIZE	TYPE	RANGE		
WIRE	2.03 [1.080 IN]	F	0.5-1.5mm ²		
INSUL	3.05 [1.120 IN]	OV	1.7-2.4mm [1.067-.094 IN]		
WIRE STRIP LENGTH 3.60-4.30 [1.41-.171 IN]		APPL INSTRUCTIONS 408-8322 & 408-8490			
TERMINAL APPL SPEC 114-19000		FEED 12.70 [1.500 IN]			
TERMINALS APPLIED					
163081	-	-	-	-	-
163767	-	-	-	-	-
163083	-	-	-	-	-
163766	-	-	-	-	-
164161	-	-	-	-	-
WIRE SIZE	CRIMP HEIGHT	REF SETTING			
1.50mm ² or 16AWG	1.40 ± 0.05 [1.055 ± .002 IN]	B7			
1.00mm ²	1.32 ± 0.05 [1.052 ± .002 IN]	C2			
0.75mm ² or 18AWG	1.27 ± 0.05 [1.050 ± .002 IN]	C5			
0.50mm ² or 20AWG	1.19 ± 0.05 [1.047 ± .002 IN]	D1			



*** WARNING**
ON INSTALLATION, SET WIRE DISC TO LARGEST WIRE SIZE SETTING. USE OF SETTINGS BELOW MIN. REQUIRED CRIMP HEIGHT SETTING WILL CAUSE DAMAGE TO CRIMP TOOLING.



-77	-76	-72	-71	-6	-2	-1	PART NO	DESCRIPTION	ITEM NO
-	-	-	-	-	-	-	-	-	84
-	-	-	-	-	-	-	-	-	83
-	-	-	-	-	-	-	-	-	82
-	-	-	-	-	-	-	-	-	81
-	-	-	-	-	-	-	-	-	80
-	-	-	-	-	-	-	-	-	79
-	-	-	-	-	-	-	-	-	78
-	-	-	-	-	-	-	-	-	77
-	-	-	-	-	-	-	-	-	76
-	-	-	-	-	-	-	-	-	75
-	-	-	-	-	-	-	-	-	74



SET UP GAGE
458637-3

LOC	DIST	REV	DESCRIPTION	DATE	OWN	APPR
A	66		RELEASED	18AUG2008	DM	TE

-	-	-	-	-	-	-	-	-	73
-	-	-	-	-	-	-	-	-	72
-	1	1	1	1	1	1	1338705-3	DOCUMENTATION PACKAGE	71
-	-	-	-	-	-	-	-	-	70
-	-	-	-	-	-	-	-	-	69
-	-	-	-	-	-	-	-	-	68
-	1	1	1	1	1	1	461264-5	PLATE, IDENTIFICATION	67
-	2	2	2	2	2	2	21017-2	SCREW, DRIVE	66
-	-	-	-	-	-	-	-	-	65
-	-	-	-	-	-	-	-	-	64
-	1	1	1	1	1	1	3-18031-0	SCR, SET, CUP POINT M6 X 6.0	63
-	-	-	-	-	-	-	-	-	62
-	2	2	2	2	2	2	2-18032-5	SCR, SET, FLT POINT M5 X 20.0	61
-	1	1	1	1	1	1	18024-7	SCR, BTN SKT HD CAP (M4 X 10.0)	60
-	1	1	1	1	1	1	5-18022-2	SCR, HEX HD CAP M4 X 8.0	59
-	-	-	-	-	-	-	-	-	58
-	-	-	-	-	-	-	-	-	57
-	1	1	1	1	1	1	1338685-1	PAWL, FEED	56
-	-	-	-	-	-	-	-	-	55
-	4	4	4	4	4	4	18024-8	SCR, BTN SKT HD CAP (M4 X 12.0)	54
-	2	2	2	2	2	2	1-18023-3	SCR, SKT HD CAP M4 X 16.0	53
-	1	1	1	1	1	1	18030-1	NUT, HEX, REG M3	52
-	1	1	1	1	1	1	811242-5	BUMPER, HOLD DOWN	51
-	1	1	1	1	1	1	690753-2	SPACER, TONKER	50
-	1	1	1	1	1	1	18024-3	SCR, BTN SKT HD CAP (M3 X 10.0)	49
-	1	1	1	1	1	1	1338675-1	CAM, UNIVERSAL PRE FEED	48
-	1	1	1	1	1	1	1338676-1	CAM, UNIVERSAL POST-FEED	47
-	1	1	1	1	1	1	1320999-3	APPLICATOR SUBASSEMBLY, HDI	46
-	1	1	1	1	1	1	690191-1	PLUG, NYLON	45
-	1	1	1	1	1	1	1338660-1	RAM	44
-	-	-	-	-	-	-	-	-	43
-	-	-	-	-	-	-	-	-	42
-	1	1	1	1	1	1	2-18024-6	SCR, BTN SKT HD CAP (M8 X 25.0)	41
-	-	-	-	-	-	-	-	-	40
-	1	1	1	1	1	1	690125-1	SHIM SUB-ASSY	39
-	1	1	1	1	1	1	1-469367-0	SHIM	38
-	1	1	1	1	1	1	879103-3	FINE ADJUST HEAD ASSEMBLY	37
-	-	-	-	-	-	-	-	-	36
-	-	-	-	-	-	-	-	-	35
-	1	1	1	1	1	1	1320934-1	SUPPORT, TERMINAL	34
-	2	2	2	2	2	2	1-18024-0	SCR, BTN SKT HD CAP (M4 X 20.0)	33
-	1	1	1	1	1	1	18027-2	WASHER, FLAT, REG M4	32
-	1	1	1	1	1	1	1-18023-2	SCR, SKT HD CAP M4 X 12.0	31
-	1	1	1	1	1	1	1320908-1	SPACER, STRIP GUIDE	30
-	1	1	1	1	1	1	1633073-1	STRIP GUIDE ASSEMBLY	29
-	1	1	1	1	1	1	1-455888-0	SPACER, CRIMPER	28
-	2	2	2	2	2	2	1-22284-0	SPRING, COMPRESSION	27
-	1	1	1	1	1	1	356835-1	LEVER, DRAG RELEASE	26
-	1	1	1	1	1	1	240792-1	DRAG, TERMINAL	25
-	1	1	1	1	1	1	1320928-1	PLATE, STRIP GUIDE	24
-	1	1	1	1	1	1	980371-4	SCR, SKT HD SHLDR 5.0 DIA X 6.0	23
-	1	1	1	1	1	1	690472-2	STRIPPER	22
-	1	1	1	1	1	1	1-18023-1	SCR, SKT HD CAP M4 X 10.0	21
-	4	4	4	4	4	4	18025-2	WASHER, SPRG LOCK, REG M4	20
-	1	1	1	1	1	1	691353-1	STRIPPER	19
-	-	-	-	-	-	-	-	-	18
-	1	1	1	1	1	1	1338684-1	SHEAR HOLDER, FRONT	17
-	-	-	-	-	-	-	-	-	16
-	-	-	-	-	-	-	-	-	15
-	-	-	-	-	-	-	-	-	14
-	-	-	-	-	-	-	-	-	13
-	1	1	1	1	1	1	3-22280-3	SPRING, COMPRESSION	12
-	1	1	1	1	1	1	356885-4	STOP, SHEAR	11
-	1	1	1	1	1	1	1320921-1	SHEAR HOLDER, FRONT, CUT	10
-	1	1	1	1	1	1	462006-1	FLOATING SHEAR, FRONT	9
-	1	2	2	2	1	1	1333228-1	ANVIL	8
-	1	1	1	1	1	1	240641-3	SPACER	7
-	-	-	-	-	-	-	-	-	6
-	1	1	1	1	1	1	2-455889-0	DEPRESSOR, SHEAR	5
-	1	1	1	1	1	1	238011-6	BLOCK, CRIMPER SPACER	4
-	1	2	2	2	1	1	2-1633569-2	CRIMPER, INSULATION OVERLAP	3
-	1	1	1	1	1	1	455888-5	SPACER, CRIMPER	2
-	1	2	2	2	1	1	1-456405-5	CRIMPER, WIRE PREMIUM	1

DIMENSIONS: mm [IN] 		TOLERANCES UNLESS OTHERWISE SPECIFIED: 9 PLC ± 4 PLC ± 4 PLC ± ANGLES ±		MATERIAL: - FINISH: -	
CUSTOMER DRAWING: A1		SCALE: 3:5		SHEET: 1 OF 1	