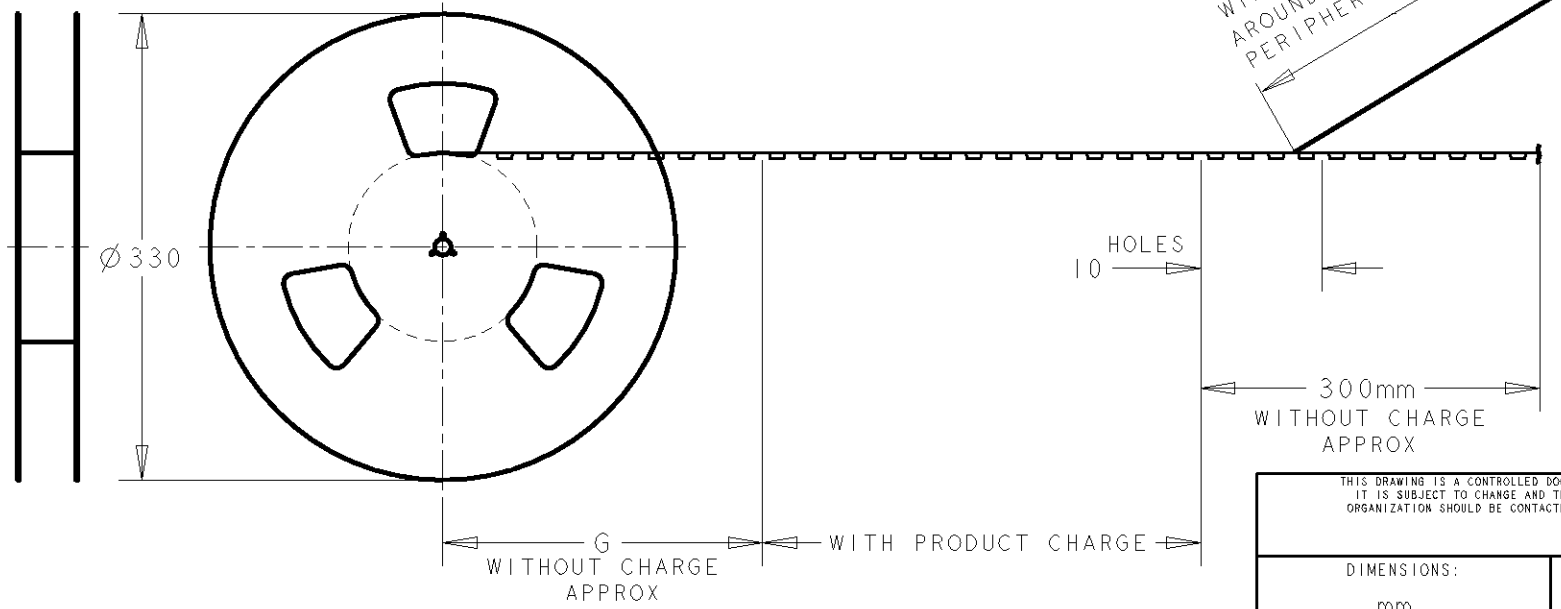
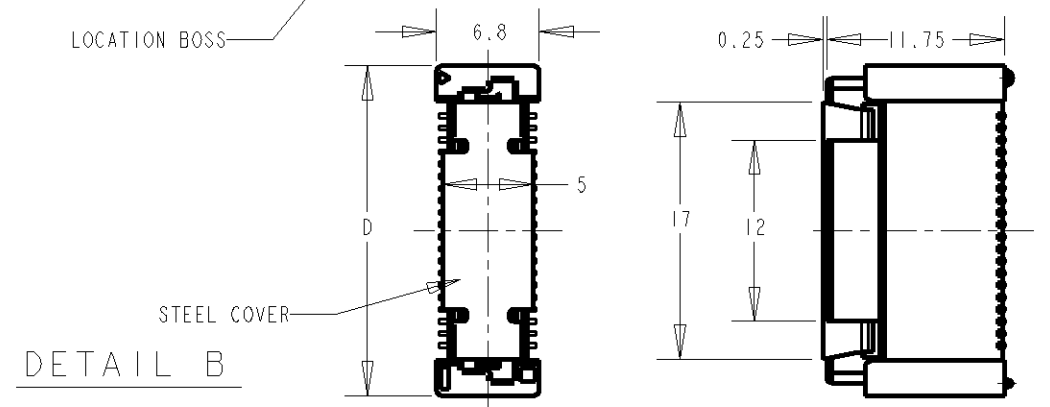
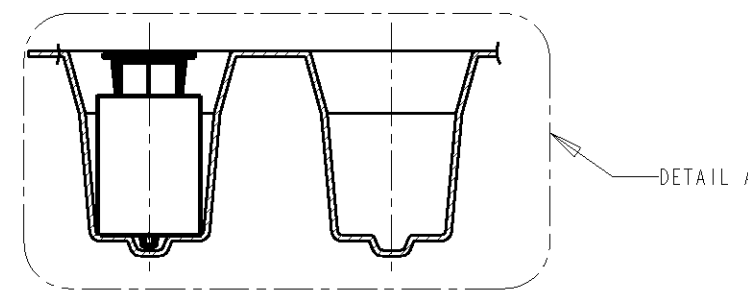
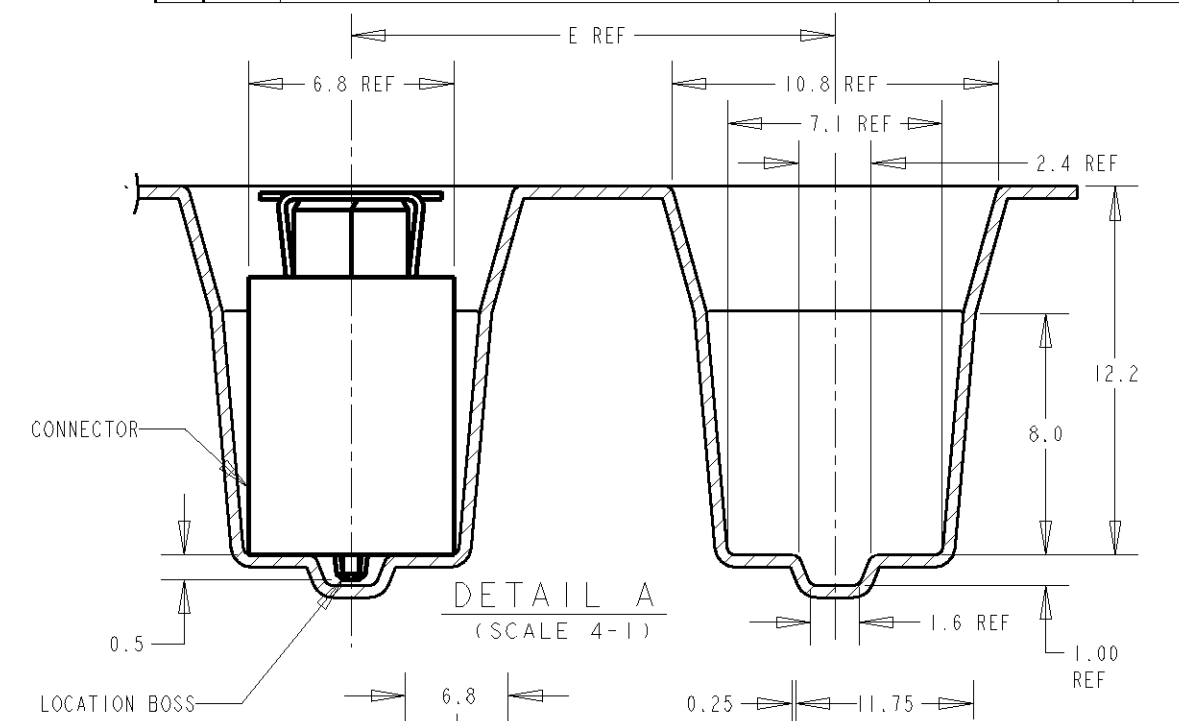
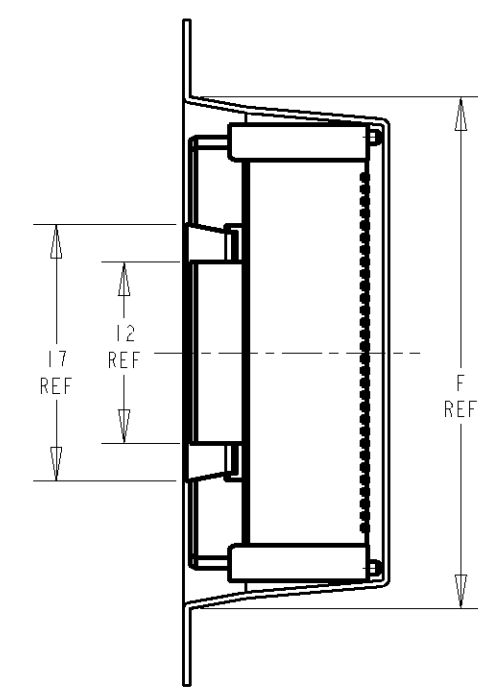
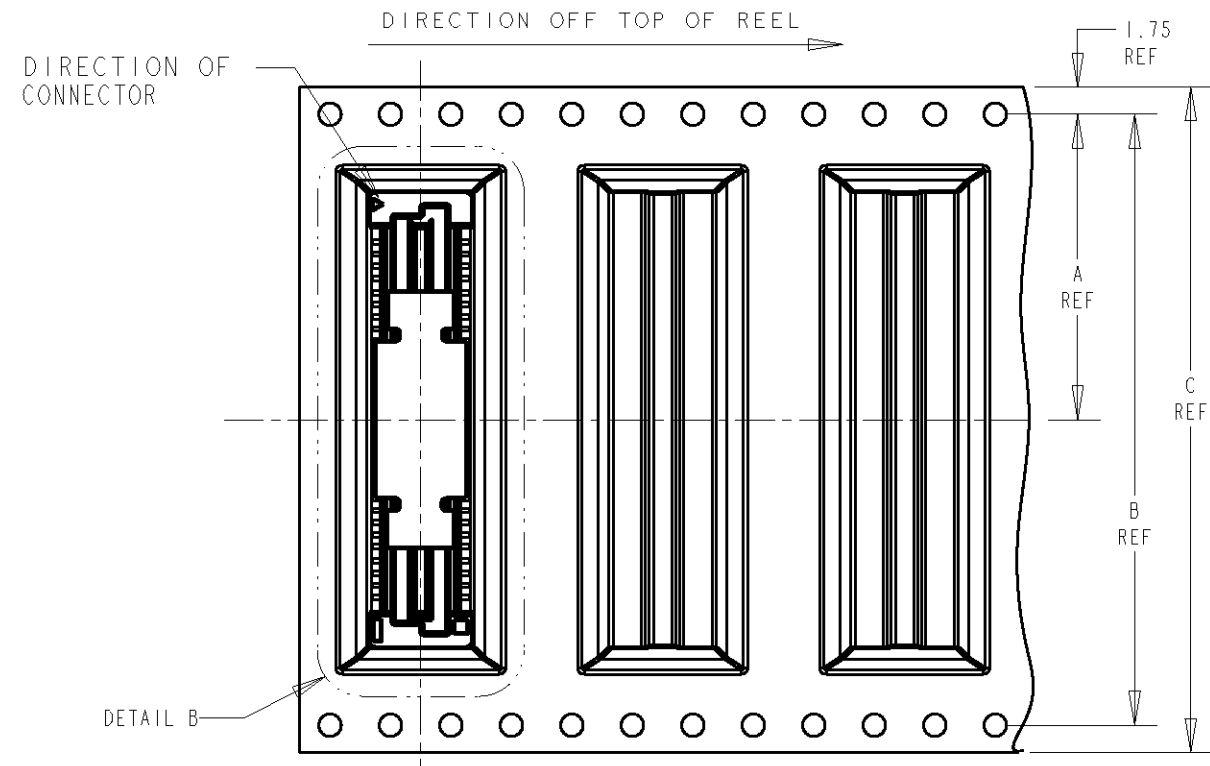


THIS DRAWING IS UNPUBLISHED. RELEASED FOR PUBLICATION .19
 BY AMP INCORPORATED. ALL RIGHTS RESERVED.

LOC	DIST	REVISIONS			
P	LTR	DESCRIPTION	DATE	DWN	APVD
DY	-	A	NPR PER ECR-08-018292	22JUL2008	SYJ LSF



WINDING THE COVER TAPE
 AROUND THE OUTER
 PERIPHERY IN A TURN.

200	300	89.8	16	85.8	104	100.4	50.2	1-1735680-0	200	1-1735681-0
200	300	81.8	16	77.8	104	100.4	50.2	1735680-9	180	1735681-9
200	300	73.8	16	69.8	88	84.4	42.2	1735680-8	160	1735681-8
200	300	65.8	16	61.8	88	84.4	42.2	1735680-6	140	1735681-6
200	300	57.8	16	53.8	72	68.4	34.2	1735680-5	120	1735681-5
200	300	49.8	16	45.8	72	68.4	34.2	1735680-4	100	1735681-4
200	300	41.8	16	37.8	56	52.4	26.2	1735680-3	80	1735681-3
200	300	33.8	16	29.8	44	40.4	20.2	1735680-2	60	1735681-2
200	300	25.8	16	21.8	44	40.4	20.2	1735680-1	40	1735681-1
QTY	G	F	E	D	C	B	A	CONNECTOR P/N	POS	PART NO.

<small>THIS DRAWING IS A CONTROLLED DOCUMENT FOR AMP INCORPORATED. IT IS SUBJECT TO CHANGE AND THE CONTROLLING ENGINEERING ORGANIZATION SHOULD BE CONTACTED FOR THE LATEST REVISION.</small>		DWN 01SEP04 FLORENCE TAN CHK ERIC TNG APVD SF JFONG PRODUCT SPEC 108-5390 APPLICATION SPEC 114-5254 WEIGHT -	Tyco Electronics Tyco Electronics (Singapore) Pte. Ltd. NAME RECEPTACLE ASS'Y 13H TYPE (0.5 BOSS LENGTH) FOR FH 0.8mm B-T-B CONN. ON TAPING SIZE A3 CAGE CODE 00779 DRAWING NO C-1735681
DIMENSIONS: mm 	TOLERANCES UNLESS OTHERWISE SPECIFIED: 0 PLC ± 1 PLC ±0.30 2 PLC ±0.25 3 PLC ±0.20 4 PLC ± ANGLES ±	MATERIAL - FINISH - CUSTOMER DRAWING	SCALE 2:1 SHEET 1 OF 1 REV A