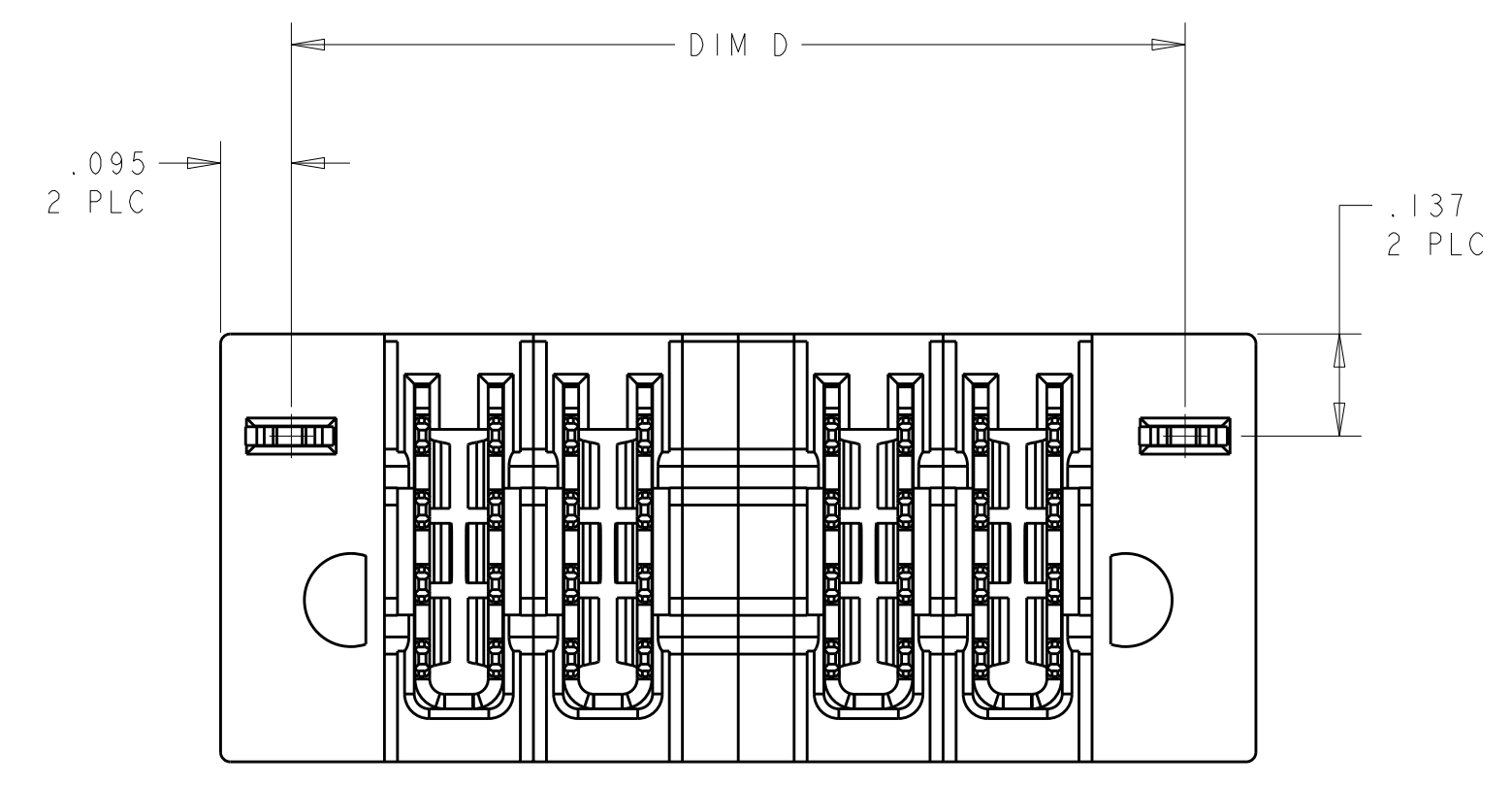
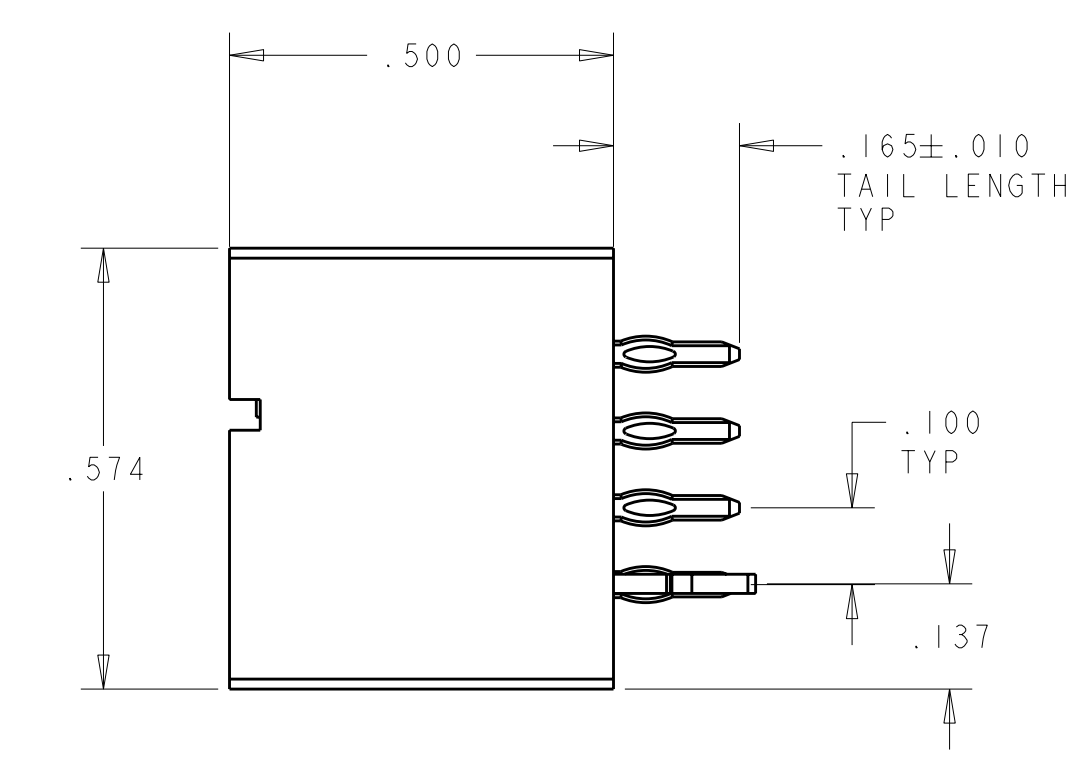
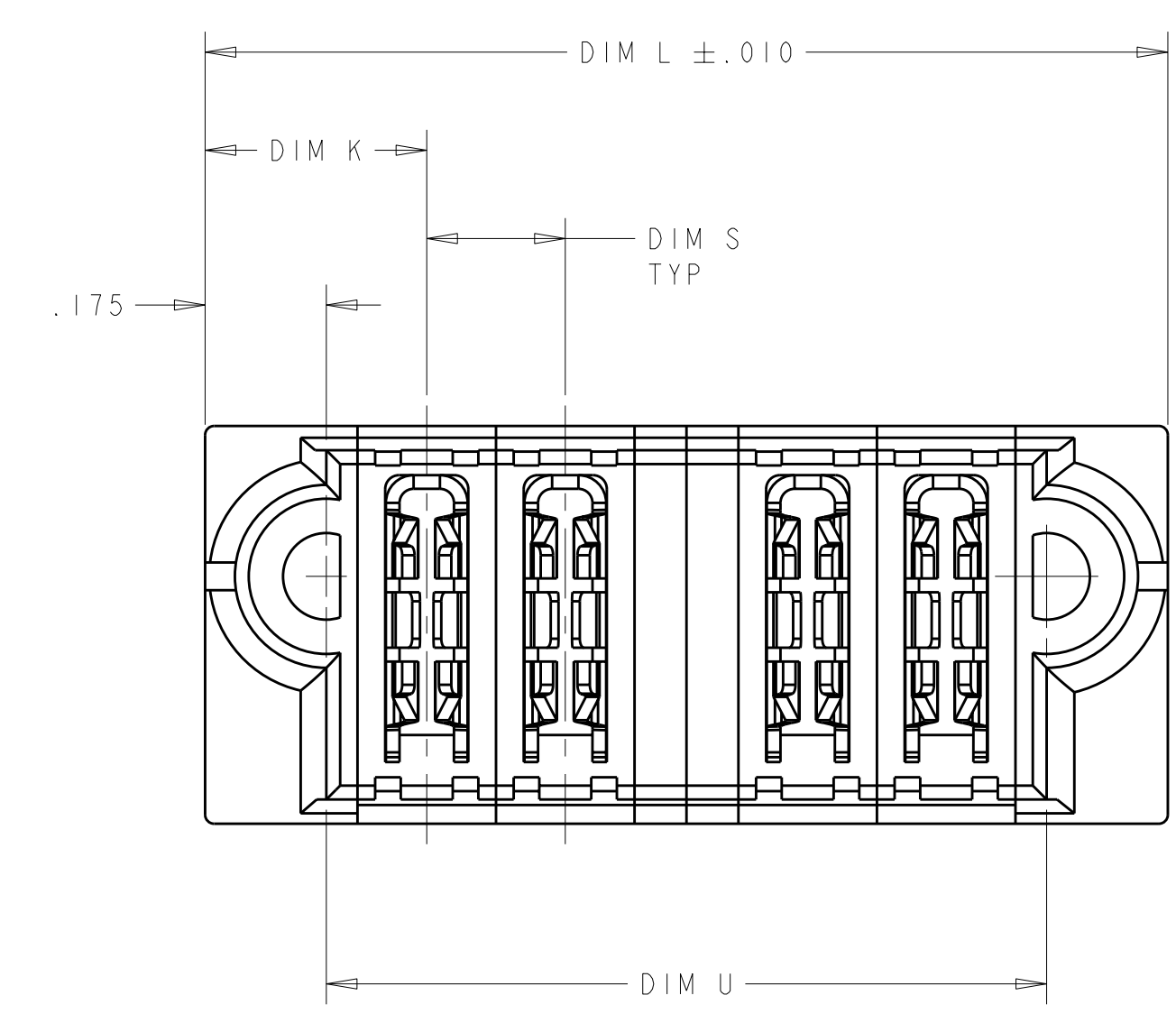
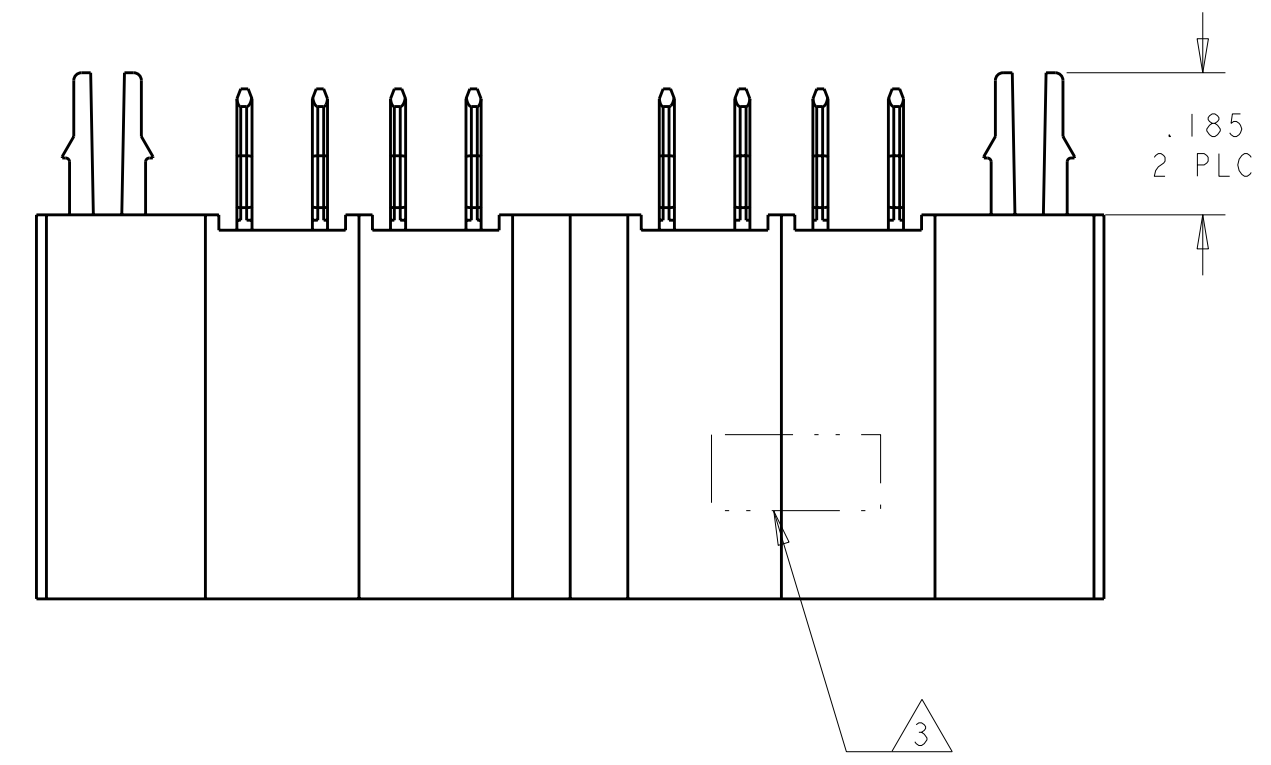


LOC	DIST	REV	DATE	BY	APPD
ES	00	A	10MAR2010	IL	SY



- 1 HEADER HOUSING: THERMO PLASTIC, BLACK, UL94 V-0; CONTACTS AND RETENTION CLIPS: COPPER ALLOY.
- 2 PIN CONTACTS: .000030 MIN GOLD IN MATING AREA, .000100 MIN TIN ON POST AREAS, BOTH OVER .000050 MIN NICKEL.  
POWER CONTACTS: .000030 MIN GOLD IN MATING AREA, .000100 MIN TIN ON POST AREAS, BOTH OVER .000050 MIN NICKEL.
- 3 "AMP", PART NUMBER AND DATE CODE MARKED IN THIS AREA. PARTS UNDER 2.50 LONG MAY BE MARKED ON BOTH SIDES.
- 4 DATUM AND BASIC DIMENSIONS ESTABLISHED BY CUSTOMER.
- 5 PCB - ALL HOLE DIAMETERS ARE FINISHED HOLE SIZES.
- 6 A SEATING TOOL IS REQUIRED TO SEAT THE HEADER ON THE P.C. BOARD. PLEASE REFER TO THE 114-13038 APPLICATION SPEC.
- 7 MECHANICAL CONNECTOR KEEP OUT ZONE.
- 8 VARIABLE DIMENSIONS SHOWN ON VIEW.

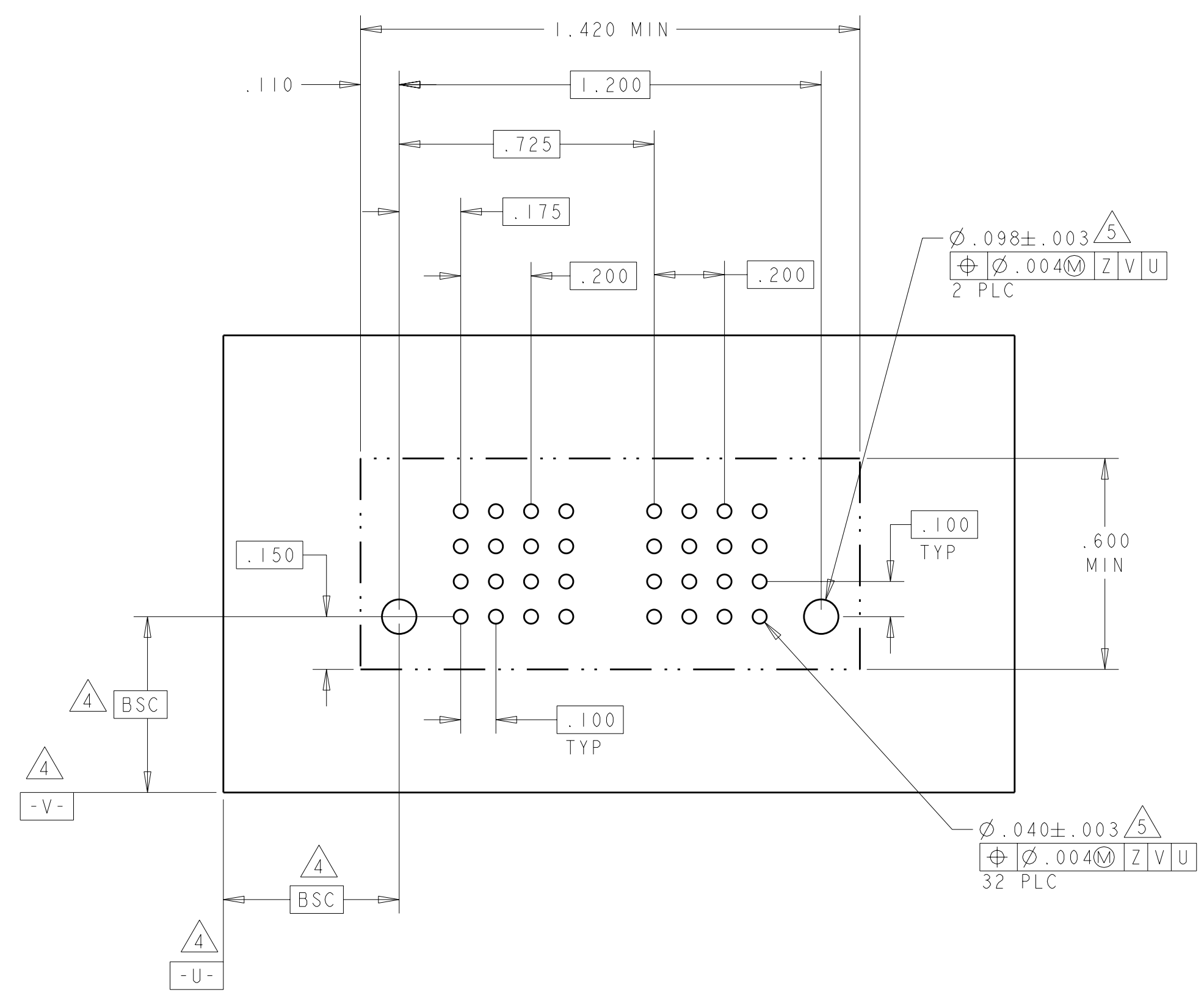
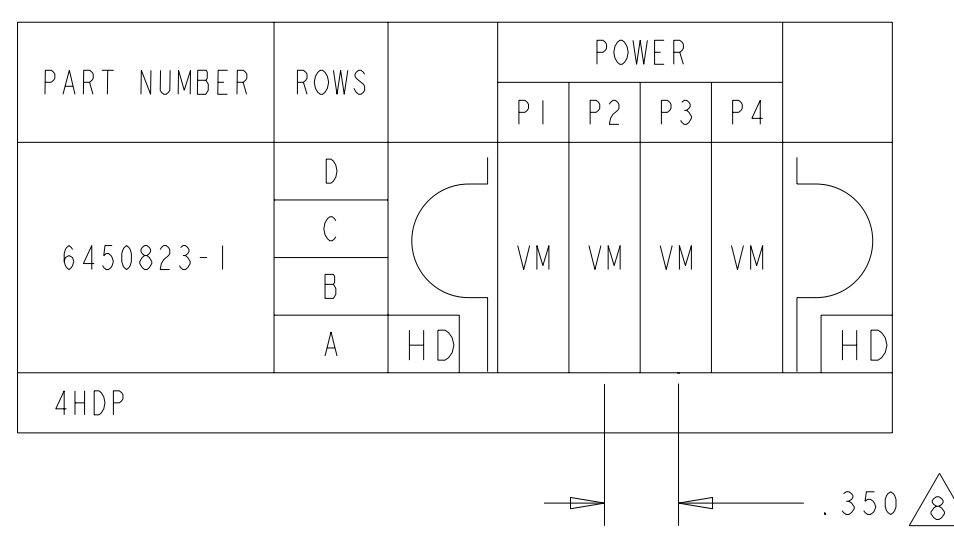


DIM S	DIM L	DIM U	DIM K	DIM D	DESCRIPTION	PART NUMBER
.200	1.390	1.040	.320	1.200	4HDP	6450823-1

DIMENSIONS: INCHES 	TOLERANCES UNLESS OTHERWISE SPECIFIED: 9 PLC ±. 1 PLC ±. 2 PLC ±. 3 PLC ±.005 4 PLC ±. ANGLES ±2° FINISH	DWN: L. LEE CHK: S. ZHAO APVD: S. YAO NAME: S. YAO PRODUCT SPEC: 108-1973 APPLICATION SPEC: 114-13038 WEIGHT: - CUSTOMER DRAWING	TOMAR2010 TOMAR2010 TOMAR2010 A   00779   C=6450823 SCALE 4:1 SHEET 1 OF 2 REV A	Tyco Electronics Corporation Shanghai, P.R.China, 200233 VERTICAL HEADER ASSEMBLY W/ SHORT END MODULES MULTI-BEAM XLE	RESTRICTED TO
---------------------------	---	---	--	---	---------------

LOC	DIST	REVISIONS					
ES	00	P	LTR	DESCRIPTION	DATE	DWN	APVD
		-	-	SEE SHEET 1	-	-	-



HOLD DOWN	HD
POWER CONTACT	VM
DESCRIPTION	CODE

<small>THIS DRAWING IS UNPUBLISHED. RELEASED FOR PUBLICATION. ALL RIGHTS RESERVED. THIS IS SUBJECT TO CHANGE WITHOUT NOTICE AND WITHOUT OBLIGATION. TOLERANCES UNLESS OTHERWISE SPECIFIED:</small>		DWN: L. LEE CHK: S. ZHAO APVD: S. YAO	TOMAR2010 TOMAR2010 -	Tyco Electronics Corporation Shanghai, P.R.China, 200233
DIMENSIONS: INCHES	TOLERANCES UNLESS OTHERWISE SPECIFIED: 9 PLC ± 1 PLC ± 2 PLC ± 3 PLC ±.005 4 PLC ± ANGLES ±2° FINISH	NAME: S. YAO PRODUCT SPEC: 108-1973 APPLICATION SPEC: 114-13038 WEIGHT: - CUSTOMER DRAWING	NAME: VERTICAL HEADER ASSEMBLY W/ SHORT END MODULES MULTI-BEAM XLE SIZE: A CAGE CODE: 100779 DRAWING NO: 6450823 SCALE: 4:1 SHEET: 2 OF 2 REV: A	RESTRICTED TO: -