



LCP1521S/LCP152DEE

ASD (Application Specific Devices)

Programmable transient voltage suppressor for SLIC protection

Features

- Dual programmable transient suppressor
- Wide negative firing voltage range:
 $V_{MGL} = -150\text{ V max.}$
- Low dynamic switching voltages:
 V_{FP} and V_{DGL}
- Low gate triggering current: $I_{GT} = 5\text{ mA max}$
- Peak pulse current: $I_{PP} = 30\text{ A (10/1000 }\mu\text{s)}$
- Holding current: $I_H = 150\text{ mA min}$
- Low space consuming package

Description

These devices have been especially designed to protect new high voltage, as well as classical SLICs, against transient overvoltages.

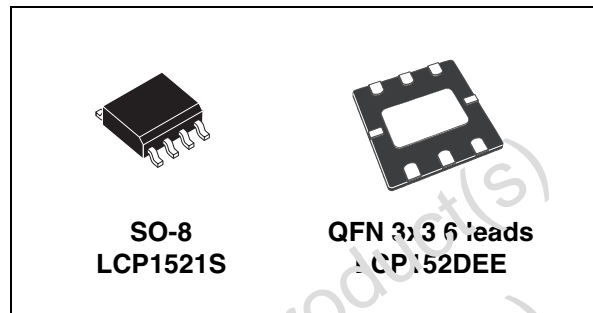
Positive overvoltages are clamped by 2 diodes. Negative surges are suppressed by 2 thyristors, their breakdown voltage being referenced to $-V_{BAT}$ through the gate.

These components present a very low gate triggering current (I_{GT}) in order to reduce the current consumption on printed circuit board during the firing phase.

Benefits

TRISILs™ are not subject to ageing and provide a fail safe mode in short circuit for a better level of protection. Trisils are used to ensure equipment meets various standards such as UL60950, IEC950 / CSA C22.2, UL1459 and FCC part 68. Trisils have UL94 V0 approved resin (Trisils are UL497B approved [file: E136224]).

TM: TRISIL is a trademark of STMicroelectronics



Order codes

Part Number	Marking
LCP1521S	CP152S
LCP1521SRL	CP152S
LCP152DEERL	LCP152

Figure 1. LCP1521S Functional diagram

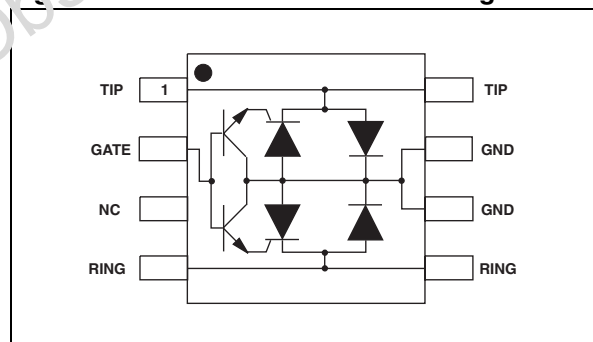
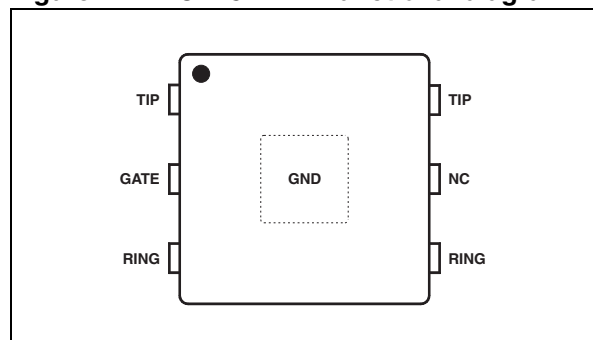


Figure 2. LCP152DEE Functional diagram



1 Characteristics

Table 1. Standards compliance

Standard	Peak surge voltage (V)	Voltage waveform	Required peak current (A)	Current waveform	Minimum serial resistor to meet standard (Ω)
GR-1089 Core First level	2500	2/10 μ s	500	2/10 μ s	12
	1000	10/1000 μ s	100	10/1000 μ s	24
GR-1089 Core Second level	5000	2/10 μ s	500	2/10 μ s	24
GR-1089 Core Intra-building	1500	2/10 μ s	100	2/10 μ s	0
ITU-T-K20/K21	6000	10/700 μ s	150	5/310 μ s	110
	1500		37.5		0
ITU-T-K20 (IEC 61000-4-2)	8000	1/60 ns	ESD contact discharge		0
	15000		ESD air discharge		0
VDE0433	4000	10/700 μ s	100	5/310 μ s	60
	2000		50		10
VDE0878	4000	1.2/50 μ s	100	1/20 μ s	0
	2000		50		0
IEC61000-4-5	4000	10/700 μ s	100	5/310 μ s	60
	4000	1.2/50 μ s	100	8/20 μ s	0
FCC Part 68, lightning surge type A	1500	10/160 μ s	200	10/160 μ s	22.5
	800	10/560 μ s	100	10/560 μ s	15
FCC Part 68, lightning surge type B	1000	9/720 μ s	25	5/320 μ s	0

Table 2. Thermal resistances

Symbol	Parameter	Value	Unit
$R_{in(j-a)}$	Junction to ambient	SO-8	120
		QFN	140

Table 3. Electrical characteristics (T_{amb} = 25° C)

Symbol	Parameter
I _{GT}	Gate triggering current
I _H	Holding current
I _{RM}	Reverse leakage current LINE / GND
I _{RG}	Reverse leakage current GATE / LINE
V _{RM}	Reverse voltage LINE / GND
V _{GT}	Gate triggering voltage
V _F	Forward drop voltage LINE / GND
V _{FP}	Peak forward voltage LINE / GND
V _{DGL}	Dynamic switching voltage GATE / LINE
V _{RG}	Reverse voltage GATE / LINE
C	Capacitance LINE / GND

Table 4. Absolute ratings (T_{amb} = 25° C, unless otherwise specified)

Symbol	Parameter	Value	Unit	
I _{PP}	Peak pulse current	10/1000 μs	30	A
		8/20 μs	100	
		10/560 μs	35	
		5/310 μs	40	
		10/160 μs	50	
		1/20 μs	100	
		2/10 μs	150	
I _{TSM}	Non repetitive surge peak on-state current (50 Hz sinusoidal)	t = 20 ms	18	A
		t = 200 ms	10	
		t = 1 s	7	
I _{GSM}	Maximum gate current (50 Hz sinusoidal)	t = 10 ms	2	A
V _{MLG}	Maximum voltage LINE/GND	-40° C < T _{amb} < +85° C	-150	V
V _{MGL}	Maximum voltage GATE/LINE	-40° C < T _{amb} < +85° C	-150	
T _{stg}	Storage temperature range		-55 to +150	° C
T _j	Maximum junction temperature		150	
T _L	Maximum lead temperature for soldering during 10 s.		260	° C

Table 5. Repetitive peak pulse current

Symbol	Definition	Example
t _r	Rise time (μs)	Pulse waveform 10/1000 μs: t _r = 10 μs t _p = 1000 μs
t _p	Pulse duration (μs)	

Table 6. Parameters related to the diode LINE / GND (T_{amb} = 25° C)

Symbol	Test conditions			Max	Unit
V _F	I _F = 5A	t = 500 μs		3	V
V _{FP} ⁽¹⁾	10/700 μs	1.5 kV	R _S = 10 Ω	5	V
	1.2/50 μs	1.5 kV	R _S = 10 Ω	9	
	2/10 μs	2.5 kV	R _S = 62 Ω	30	

1. See test circuit for V_{FP} (Figure 4); R_S is the protection resistor located on the line card.

Table 7. Parameters related to the protection Thyristors (T_{amb} = 25° C, unless otherwise specified)

Symbol	Test conditions			Typ	Max	Unit
I _{GT}	V _{GND} / LINE = -48 V			0.1	5	nA
I _H	V _{GATE} = -48 V ⁽¹⁾			150		mA
V _{GT}	at I _{GT}				2.5	V
I _{RG}	V _{RG} = -150 V		T _j = 25° C		5	μA
	V _{RG} = -150 V		T _j = 85° C		50	
V _{DGL}	V _{GATE} = -48 V ⁽²⁾					
	10/700 μs	1.5 kV	R _S = 10 Ω	I _{PP} = 30 A	7	V
	1.2/50 μs	1.5 kV	R _S = 10 Ω	I _{PP} = 30 A	10	
2/10 μs	2.5 kV	R _S = 62 Ω	I _{PP} = 38 A	25		

1. see functional holding current (I_H) test circuit

2. see test circuit for V_{DG} The oscillations with a time duration lower than 50ns are not taken into account.

Table 8. Parameters related to diode and protection Thyristors (T_{amb} = 25° C, unless otherwise specified)

Symbol	Test conditions			Typ	Max	Unit
I _{RM}	V _{GATE} / LINE = -1 V	V _{RM} = -150 V	T _j = 25° C		5	μA
	V _{GATE} / LINE = -1 V	V _{RM} = -150 V	T _j = 85° C		50	
C	V _R = 50 V bias, V _{RMS} = 1 V, F = 1 MHz			15		pF
	V _R = 2 V bias, V _{RMS} = 1 V, F = 1 MHz			35		

Figure 3. Functional Holding Current (I_H) test circuit: GO-NO GO test

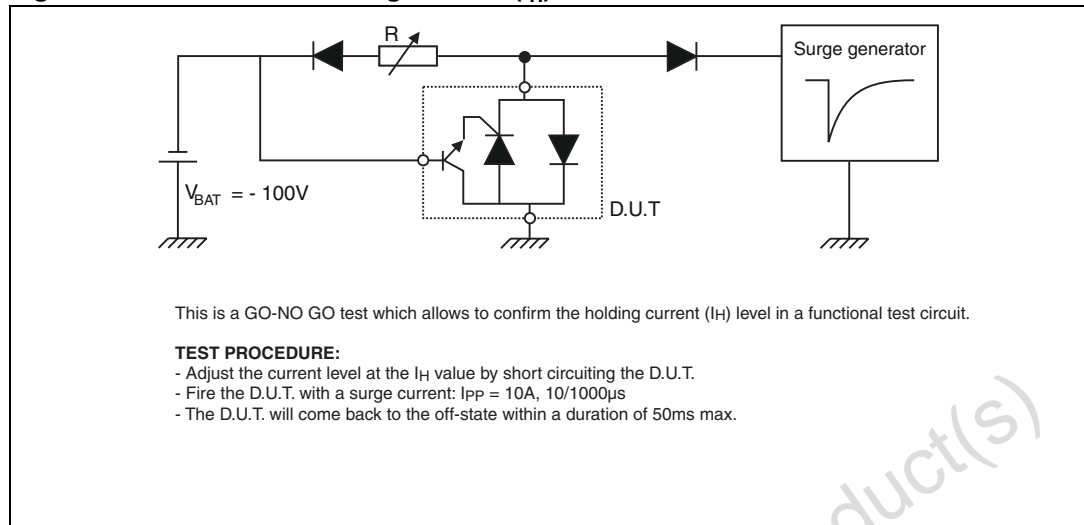
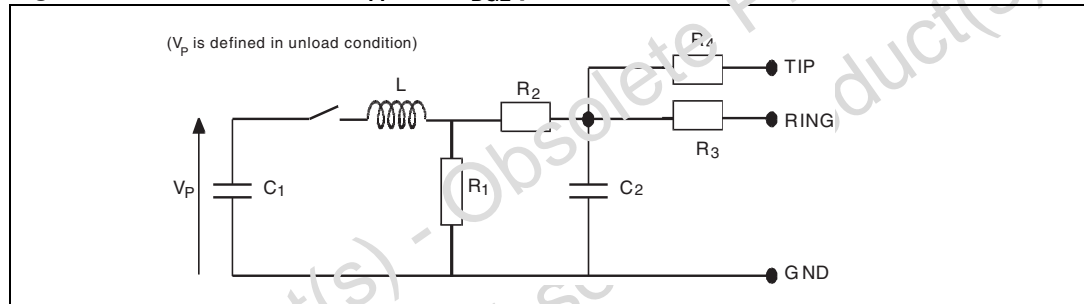


Figure 4. Test circuit for V_{FP} and V_{DGL} parameters



Pulse (μs)		V_p (V)	C_1 (μF)	C_2 (nF)	L (μH)	R_1 (Ω)	R_2 (Ω)	R_3 (Ω)	R_4 (Ω)	I_{PP} (A)	R_s (Ω)
t_r	t_p										
10	700	1500	20	200	0	50	15	25	25	30	10
12	50	1500	1	33	0	76	13	25	25	30	10
2	10	2500	10	0	1.1	1.3	0	3	3	38	62

2 Technical information

Figure 5. LCP152 concept behavior

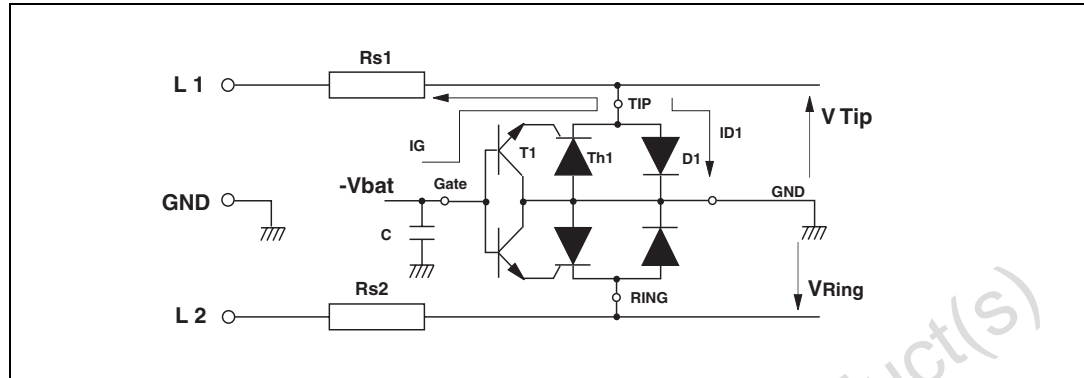


Figure 5. shows the classical protection circuit using the LCP152 crowbar concept. This topology has been developed to protect the new high voltage SLICs. It allows to program the negative firing threshold while the positive clamping value is fixed at GND.

When a negative surge occurs on one wire (L1 for example) a current I_G flows through the base of the transistor T1 and then injects a current in the gate of the thyristor Th1. Th1 fires and all the surge current flows through the ground. After the surge when the current flowing through Th1 becomes less negative than the holding current I_H , then Th1 switches off.

When a positive surge occurs on one wire (L1 for example) the diode D1 conducts and the surge current flows through the ground.

Figure 6. Example of PCB layout based on LCP152S protection

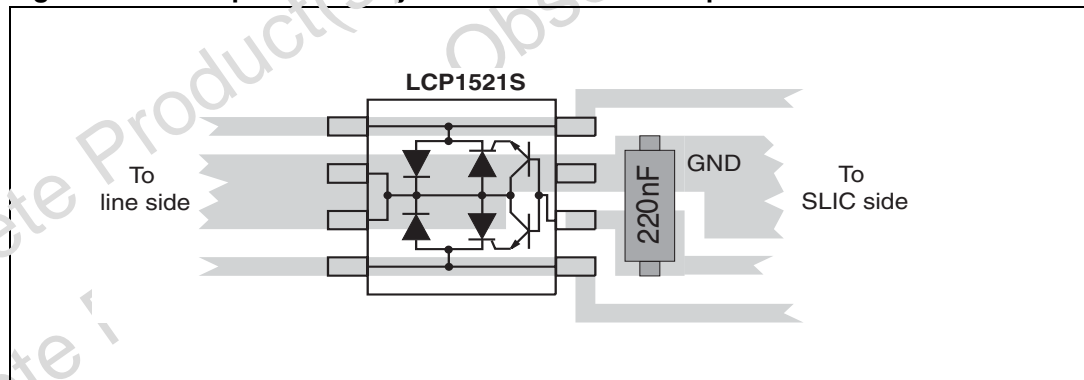


Figure 6. shows the classical PCB layout used to optimize line protection.

The capacitor C is used to speed up the crowbar structure firing during the fast surge edges.

This allows to minimize the dynamical breakover voltage at the SLIC Tip and Ring inputs during fast strikes. Note that this capacitor is generally present around the SLIC - Vbat pin.

So to be efficient it has to be as close as possible from the LCP152 Gate pin and from the reference ground track (or plan) (see Figure 6.). The optimized value for C is 220 nF.

The series resistors Rs1 and Rs2 designed in Figure 5. represent the fuse resistors or the PTC which are mandatory to withstand the power contact or the power induction tests

imposed by the various country standards. Taking into account this fact the actual lightning surge current flowing through the LCP is equal to:

$$I_{\text{surge}} = V_{\text{surge}} / (R_g + R_s)$$

With:

V_{surge} = peak surge voltage imposed by the standard.

R_g = series resistor of the surge generator

R_s = series resistor of the line card (e.g. PTC)

e.g. For a line card with 30 Ω of series resistors which has to be qualified under GR1089 Core 1000V 10/1000 μs surge, the actual current through the LCP152 is equal to:

$$I_{\text{surge}} = 1000 / (10 + 30) = \mathbf{25\ A}$$

The LCP152 is particularly optimized for the new telecom applications such as the fiber in the loop, the WLL, the remote central office. In this case, the operating voltages are smaller than in the classical system. This makes the high voltage SLICs particularly suitable.

The schematics of *Figure 7*. give the most frequent topology used for these applications.

Figure 7. Protection of high voltage SLIC

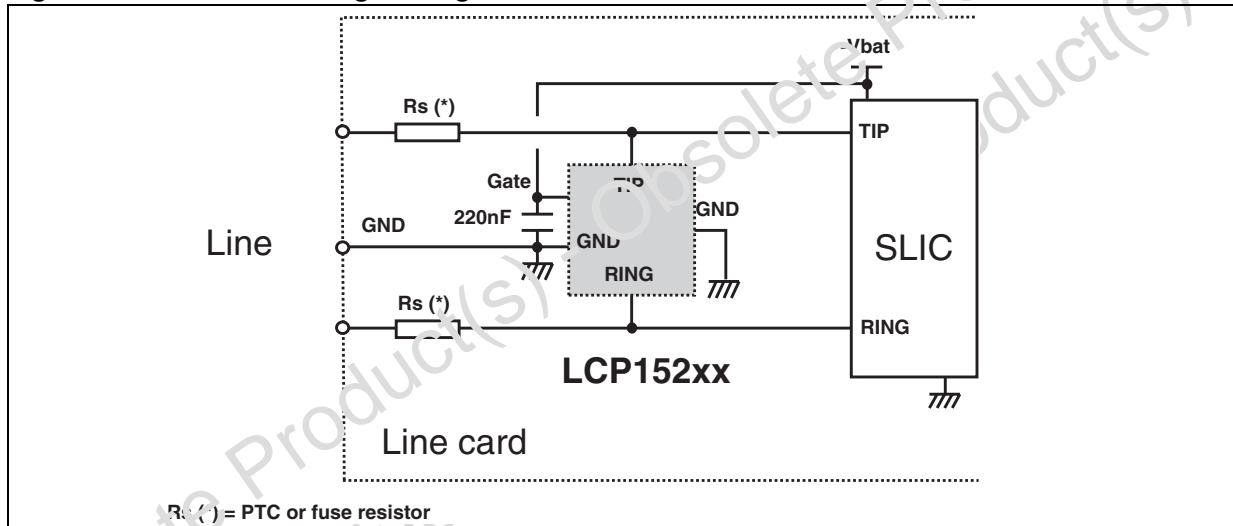


Figure 8. Surge peak current versus overload duration

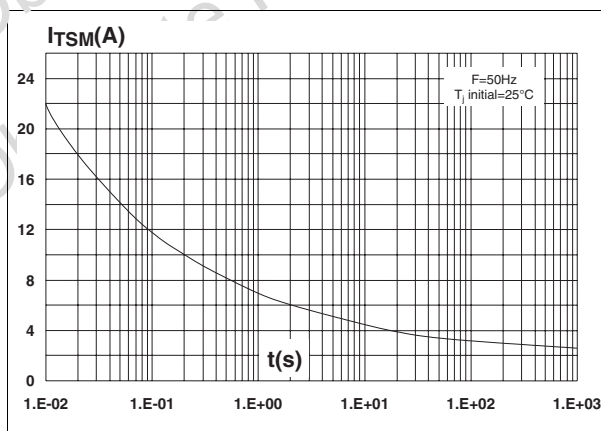
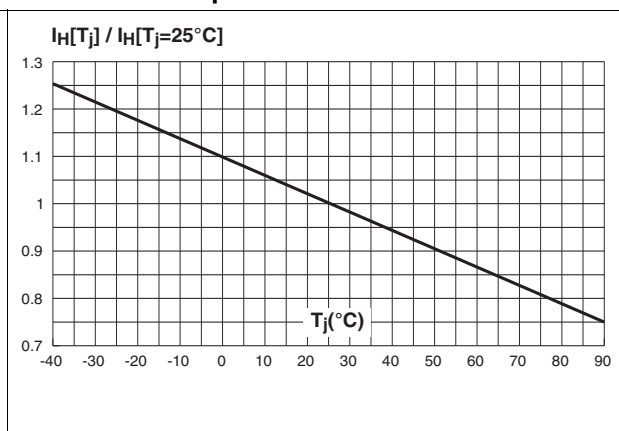


Figure 9. Relative variation of holding current versus junction temperature



3 Package information

Table 9. SO-8 Dimensions

Ref.	Dimensions					
	Millimeters			Inches		
	Min.	Typ.	Max.	Min.	Typ.	Max.
A			1.75			0.069
A1	0.1		0.25	0.004		0.010
A2	1.25			0.049		
b	0.28		0.48	0.011		0.019
C	0.17		0.23	0.007		0.009
D	4.80	4.90	5.00	0.189	0.193	0.197
E	5.80	6.00	6.20	0.228	0.236	0.244
E1	3.80	3.90	4.00	0.150	0.154	0.157
e		1.27			0.050	
h	0.25		0.50	0.010		0.020
L	3.40		1.27	0.016		0.050
L1		1.04			0.041	
k°	0		8	0		8
ccc			0.10			0.004

Figure 10. Footprint (dimensions in mm)

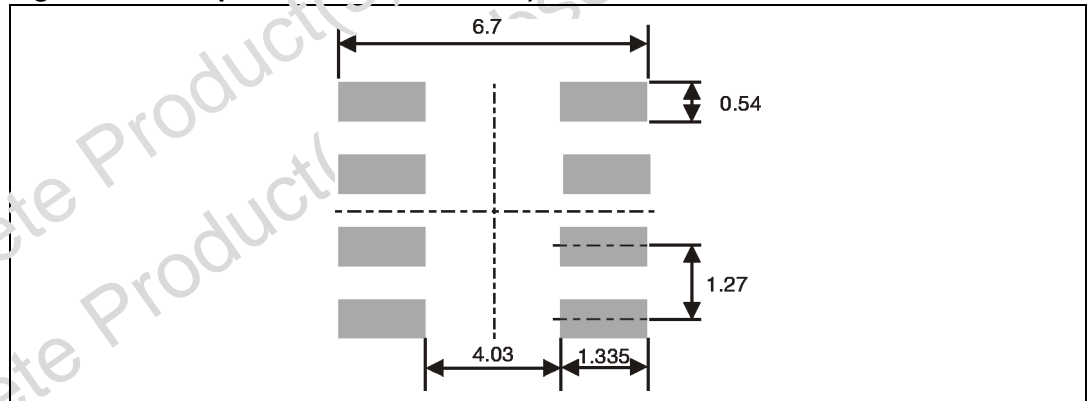
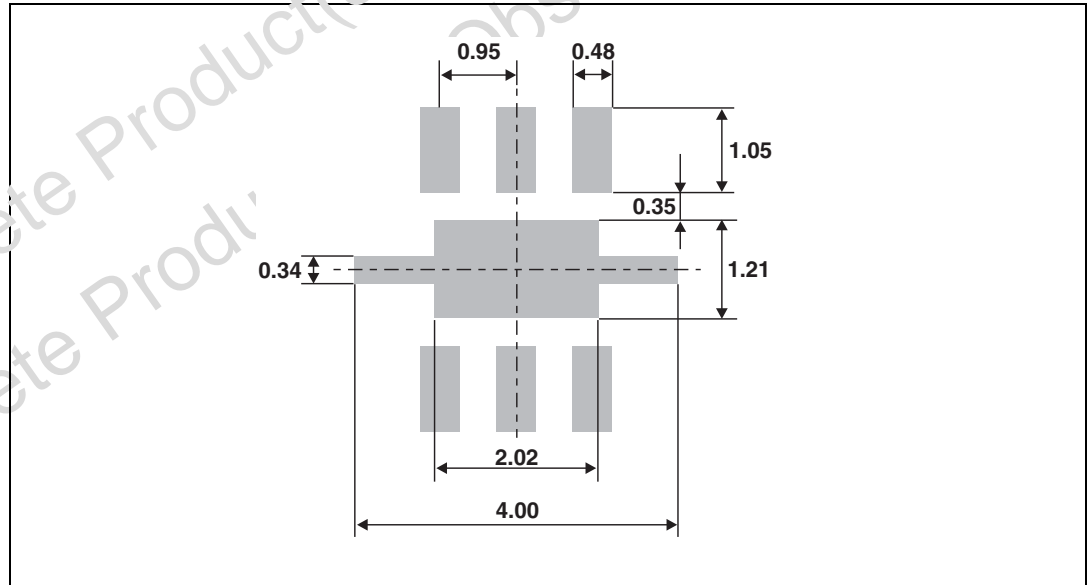


Table 10. QFN 3x3 6 Leads Package dimensions

REF.	DIMENSIONS					
	Millimeters			Inches		
	Min.	Typ.	Max.	Min.	Typ.	Max.
A	0.80		1	0.031		0.040
A1	0		0.05	0		0.002
A2	0.65		0.75	0.026		0.030
A3		20			0.787	
b	0.33		0.43	0.013		0.017
D	2.90	3	3.10	0.114	0.118	0.122
D2	1.92		2.12	0.076		0.083
E	2.90	3	3.10	0.114	0.118	0.122
E2	1.11		1.3	0.044		0.051
e		0.25			0.037	
L	0.20		0.45	0.008		0.018
L1		0.24			0.009	
L2			0.13			0.005
K	0.20			0.008		
<	0°		12°	0°		12°

Figure 11. QFN 3x3 6 Leads Footprint dimensions (in mm)



4 Ordering information

Part Number	Marking	Package	Weight	Base qty	Delivery mode
LCP1521S	CP152S	SO-8	0.11 g	100	Tube
LCP1521SRL ⁽¹⁾	CP152S			2500	Tape and reel
LCP152DEERL ⁽¹⁾	LCP152	QFN 3x3 6L	0.022 g	3000	Tape and reel

1. Preferred device

5 Revision history

Date	Revision	Description of Changes
Sep-2003	1A	First issue.
08-Dec-2004	2	1/ Page 2 table 3: Thermal resistances changed from 130° C/W (SO-8) to 120° C/W and from 170° C/W (QFN) to 140° C/W. 2/ SO-8 and QFN footprint dimensions added.
17-Feb-2005	3	Table 9 on page 4: correction of typo on capacitance unit.
03-May-2005	4	Table 5 on page 3: I _{TSM} value @ t= 1s from 4 A to 4.5 A.
07-Jul-2006	5	Replaced QFN package illustration on page 1. Reformatted document to current layout standard. Values of I _{TSM} modified in Table 4. SO-8 package dimensions updated in Table 9.

Please Read Carefully:

Information in this document is provided solely in connection with ST products. STMicroelectronics NV and its subsidiaries ("ST") reserve the right to make changes, corrections, modifications or improvements, to this document, and the products and services described herein at any time, without notice.

All ST products are sold pursuant to ST's terms and conditions of sale.

Purchasers are solely responsible for the choice, selection and use of the ST products and services described herein, and ST assumes no liability whatsoever relating to the choice, selection or use of the ST products and services described herein.

No license, express or implied, by estoppel or otherwise, to any intellectual property rights is granted under this document. If any part of this document refers to any third party products or services it shall not be deemed a license grant by ST for the use of such third party products or services, or any intellectual property contained therein or considered as a warranty covering the use in any manner whatsoever of such third party products or services or any intellectual property contained therein.

UNLESS OTHERWISE SET FORTH IN ST'S TERMS AND CONDITIONS OF SALE ST DISCLAIMS ANY EXPRESS OR IMPLIED WARRANTY WITH RESPECT TO THE USE AND/OR SALE OF ST PRODUCTS INCLUDING WITHOUT LIMITATION IMPLIED WARRANTIES OF MERCHANTABILITY, FITNESS FOR A PARTICULAR PURPOSE (AND THEIR EQUIVALENTS UNDER THE LAWS OF ANY JURISDICTION), OR INFRINGEMENT OF ANY PATENT, COPYRIGHT OR OTHER INTELLECTUAL PROPERTY RIGHT.

UNLESS EXPRESSLY APPROVED IN WRITING BY AN AUTHORIZED ST REPRESENTATIVE, ST PRODUCTS ARE NOT RECOMMENDED, AUTHORIZED OR WARRANTED FOR USE IN MILITARY, AIR CRAFT, SPACE, LIFE SAVING, OR LIFE SUSTAINING APPLICATIONS, NOR IN PRODUCTS OR SYSTEMS WHERE FAILURE OR MALFUNCTION MAY RESULT IN PERSONAL INJURY, DEATH, OR SEVERE PROPERTY OR ENVIRONMENTAL DAMAGE. ST PRODUCTS WHICH ARE NOT SPECIFIED AS "AUTOMOTIVE GRADE" MAY ONLY BE USED IN AUTOMOTIVE APPLICATIONS AT USER'S OWN RISK.

Resale of ST products with provisions different from the statements and/or technical features set forth in this document shall immediately void any warranty granted by ST for the ST product or service described herein and shall not create or extend in any manner whatsoever, any liability of ST.

ST and the ST logo are trademarks or registered trademarks of ST in various countries.

Information in this document supersedes and replaces all information previously supplied.

The ST logo is a registered trademark of STMicroelectronics. All other names are the property of their respective owners.

© 2006 STMicroelectronics - All rights reserved

STMicroelectronics group of companies

Australia - Belgium - Brazil - Canada - China - Czech Republic - Finland - France - Germany - Hong Kong - India - Israel - Italy - Japan - Malaysia - Malta - Morocco - Singapore - Spain - Sweden - Switzerland - United Kingdom - United States of America

www.st.com