

# MICRO SWITCH

FREEPORT ILLINOIS, U.S.A  
A DIVISION OF HONEYWELL

FED. MFG. CODE 91929

# SWITCH-BASIC

V3-347

CK-D3380

V3-347  
PAGE 1 OF 1

M

DRAWING NUMBER

8

ISSUE

CHECK

REVISIONS

A PR-3878  
D J W  
14 JAN 74

A CO 38993  
T M M  
4 AUG 77

B CO 59921  
SMA  
29 SEPT 86

C CO 76501  
DCS  
8 MAR 94

D CO 77116  
DCS  
18 APR 94

E CO-93311  
TSM  
15 OCT 98

F 0005782  
R J  
04 JUN 04

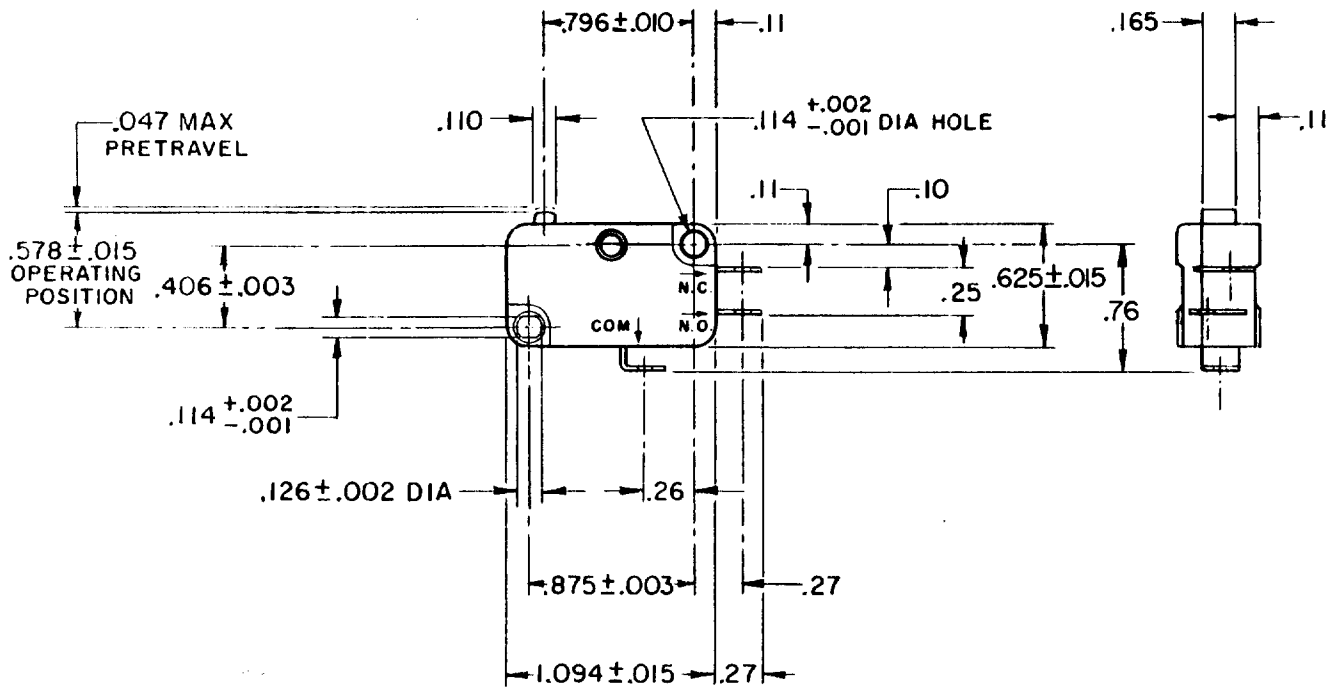
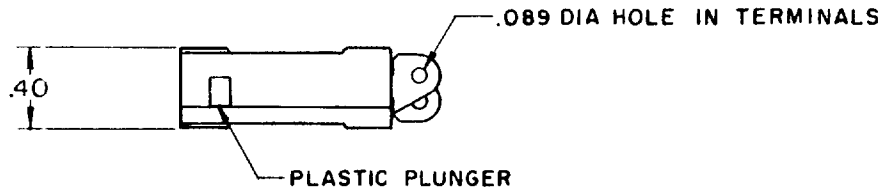
FORMTEK  
DRAWN

D J W

14 JAN 74

74

REPLACES  
RELEASE NO. PR-3878  
04 JUN 04  
AK  
24 JAN '74  
LSD



### NOTES

- 1 - TERMINALS ARE PLATED FOR SOLDERING
- 2 - IN INSPECTION, DO NOT BURN OUT - GOLD CONTACTS
- 3 - IN INSPECTION, DO NOT EXCEED 10 VDC, .1A RESISTIVE LOAD
- 4 - INSPECT SWITCH RESISTANCE PER CONTROL PLAN

THIS DRAWING COVERS A PROPRIETARY ITEM AND IS THE PROPERTY OF MICRO SWITCH, A DIVISION OF HONEYWELL. THIS DRAWING IS NOT TO BE COPIED OR USED WITHOUT THE APPROVAL OF MICRO SWITCH.

CHARACTERISTICS	ELECTRICAL DATA	SCALE FULL
OPERATING FORCE ----- 8 OZ MAX	CONTACT ARRANGEMENT S P D T	DO NOT SCALE PRINT
RELEASE FORCE ----- 2 OZ MIN	-L22- 1A-125 VAC RJ	UNLESS OTHERWISE NOTED DIMENSIONS ARE IN INCHES <b>TOLERANCES ARE</b>
RELEASE TRAVEL ----- .007 MIN		ONE PLACE (.0) ± .030
DIFFERENTIAL TRAVEL ----- .006 - .016		TWO PLACE (.00) ± .015
OVERTRAVEL ----- .040 MIN		THREE PLACE (.000) ± .005
FREE POSITION ----- .625 MAX		ANGLES ±
		WEIGHT