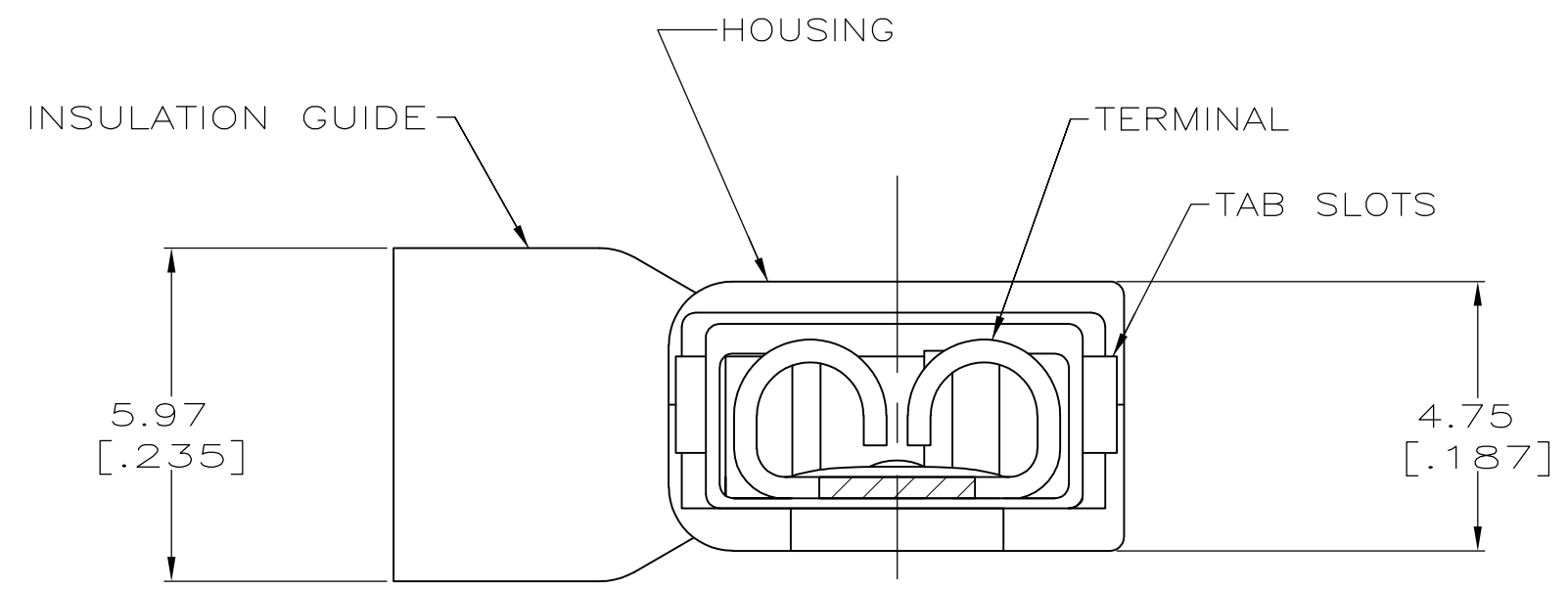
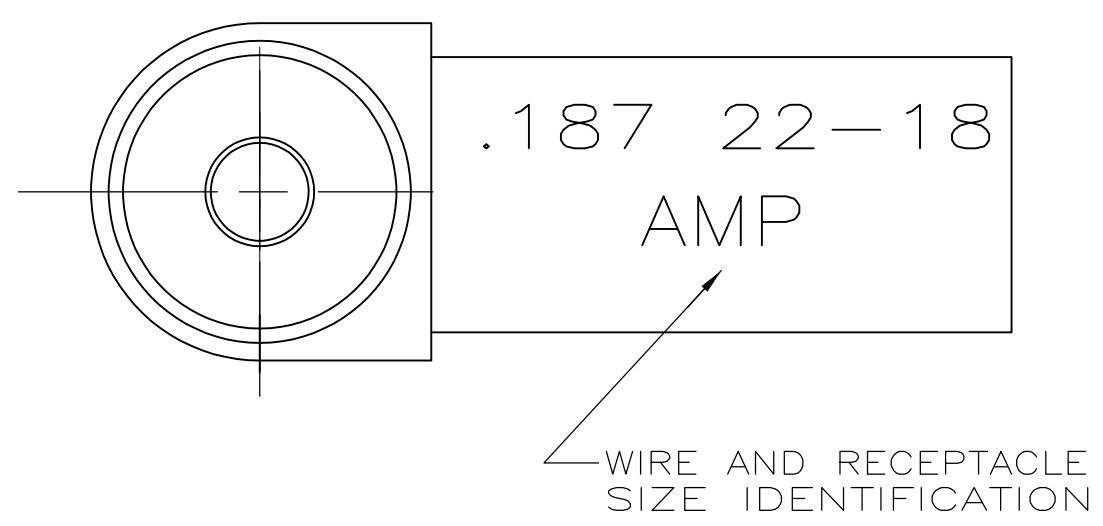
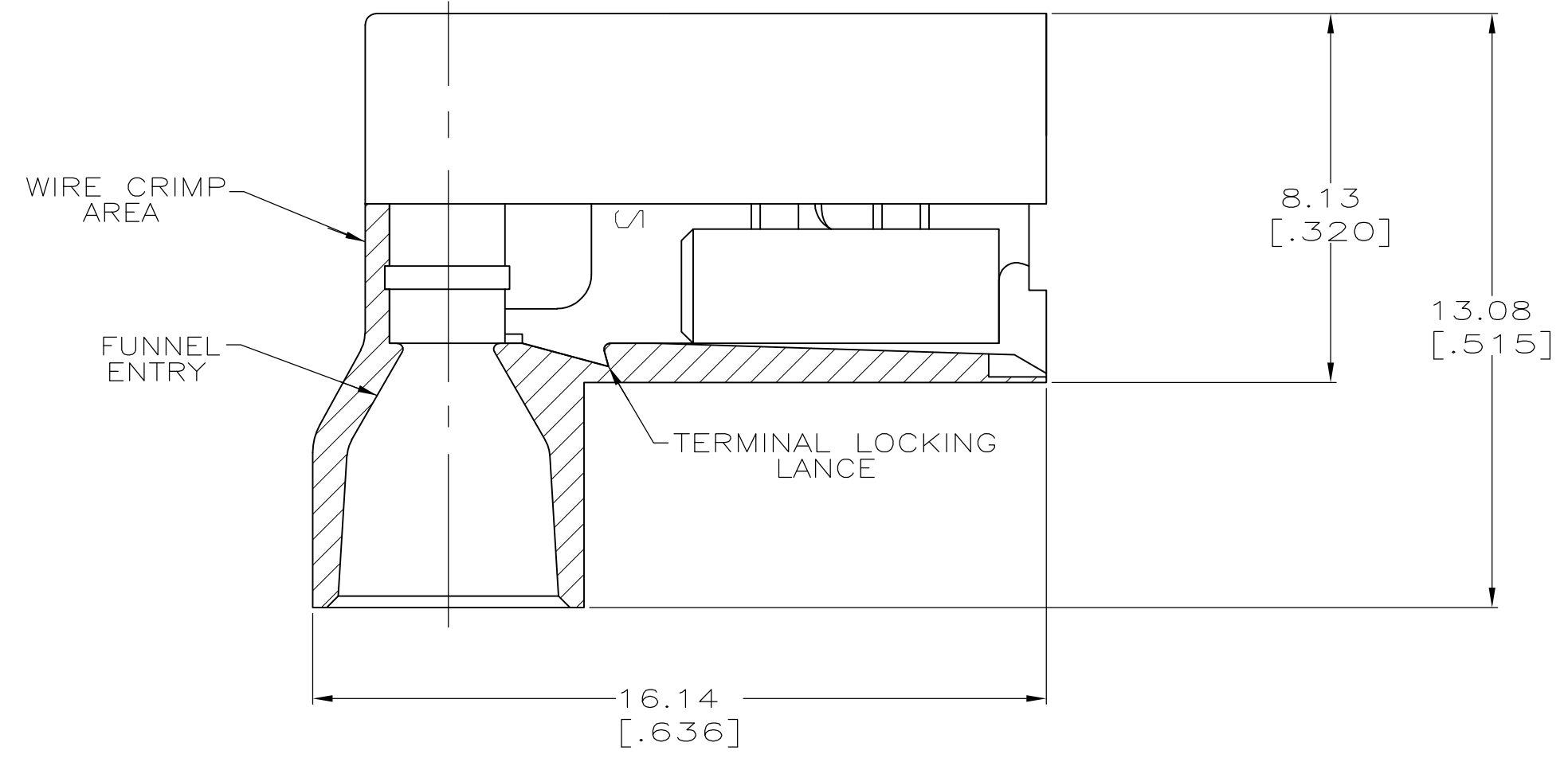


THIS DRAWING IS UNPUBLISHED. RELEASED FOR PUBLICATION  
 © COPYRIGHT - By - ALL RIGHTS RESERVED.

LOC	DIST	REVISIONS				
P	LTR	DESCRIPTION	DATE	OWN	APVD	
AF	50	H	REVISED PER ECR-12-005303	23JUL12	KH KR	

- 1 FITS 0.81±0.025 X 4.75 [.032±.001 X .187] TAB
- 2 WIRE SIZE: 0.3-0.9mm<sup>2</sup> [22-18 AWG], STRANDED ONLY.  
STRIP LENGTH 7.14 [.281]
- 3 INSULATION SIZE: 4.19 [.165] MAX DIA.
- 4 SUPPLIED AS LOOSE PIECE



OBSOLETE	TYPE 6/6 NYLON	RED TRANSLUCENT	0.41 [.016] #4H PH BRZ	TIN	2-520337-4
	TYPE 6/6 NYLON	RED TRANSLUCENT	0.41 [.016] #4H BRASS	TIN	2-520337-2
	MATERIAL	COLOR	MATERIAL	FINISH	PART NO

THIS DRAWING IS A CONTROLLED DOCUMENT.		DWN P FORTNEY	8/10/90	TE Connectivity
DIMENSIONS: mm[INCHES]		CHK MS FEHER	8/23/90	
TOLERANCES UNLESS OTHERWISE SPECIFIED:		APVD D BRATINA	8/24/90	
0 PLC ± - 1 PLC ± - 2 PLC ± 0.38 [.015] 3 PLC ± - 4 PLC ± - ANGLES ± - -		PRODUCT SPEC 108-2043	NAME	RECEPTACLE ASSEMBLY, ULTRA-FAST FLAG, 4.75 [.187] SERIES, LOOSE PIECE
MATERIAL SEE TABLE	FINISH SEE TABLE	APPLICATION SPEC 114-2123	SIZE A2	CAGE CODE 00779
		WEIGHT -	DRAWING NO C-520337	RESTRICTED TO -
CUSTOMER DRAWING			SCALE 8:1	SHEET 1 OF 1
			REV H	

**METRIC**

520337