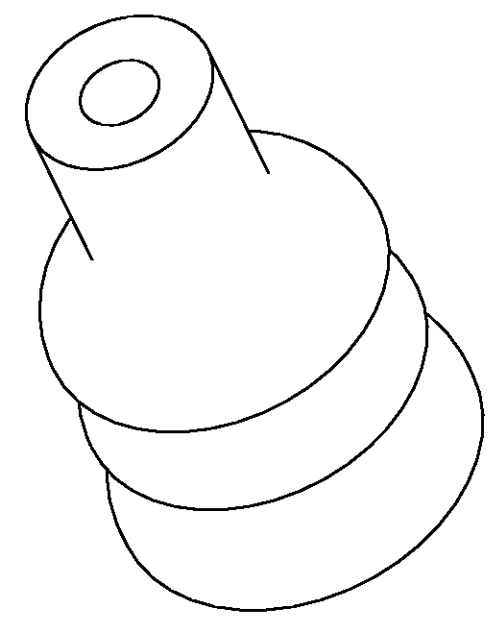
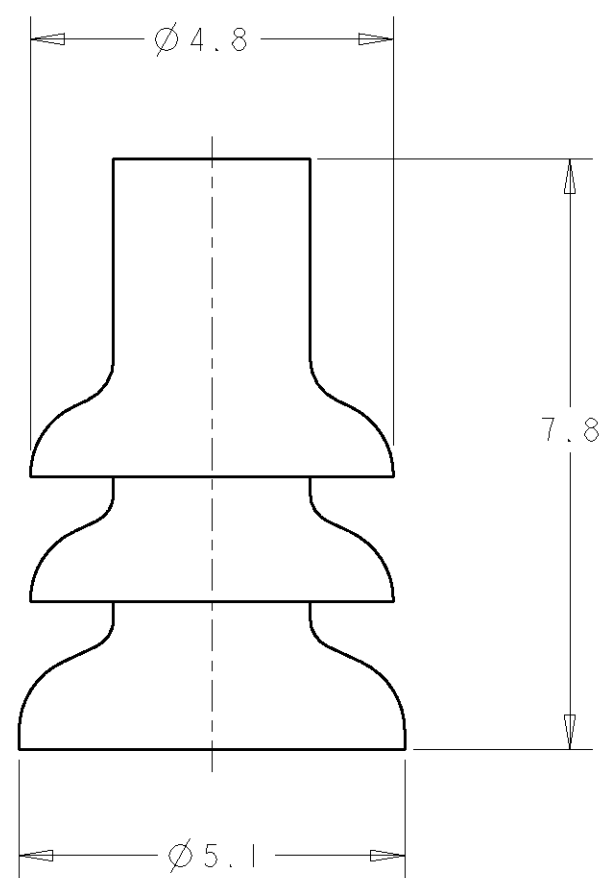
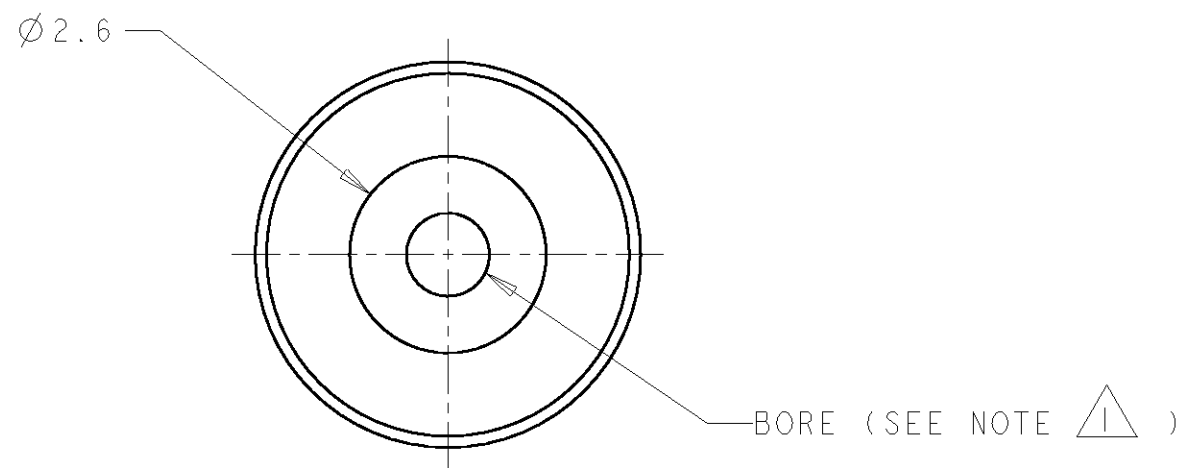


THIS DRAWING IS UNPUBLISHED. RELEASED FOR PUBLICATION 20
 © COPYRIGHT 20 BY - ALL RIGHTS RESERVED.

LOC	DIST	REVISIONS			
P	LTR	DESCRIPTION	DATE	DWN	APVD
E	B+	C1	REVISED PER ECO-11-005150	28MAR11	RK HMR



SCALE 10:1

NOTES :
 1 THIS SEAL IS SUITABLE FOR WIRE RANGE 0.5 TO 1.5 mm AND INSULATION DIAMETERS OF 1.6 TO 2.4 mm.

GREEN	SELF-LUBRICATING SILICON RUBBER	347874-1
COLOUR	MATERIAL	PART NUMBER

DIMENSIONS: mm 	TOLERANCES UNLESS OTHERWISE SPECIFIED: LINEAR ±0.5 0 PLC ± 1 PLC ±0.4 2 PLC ±0.08 3 PLC ±0.005 4 PLC ±0.0001 ANGLES ±1	DWN R.J.S 25.8.93	TE Connectivity
		CHK R.R 25.8.93	
MATERIAL -	FINISH -	APVD J.P 25.8.93	
		PRODUCT SPEC -	SIZE A3
		APPLICATION SPEC -	CAGE CODE 00779
		WEIGHT -	DRAWING NO C=347874
		CUSTOMER DRAWING	RESTRICTED TO -
		SCALE 10:1	SHEET 1 OF 1 REV C1