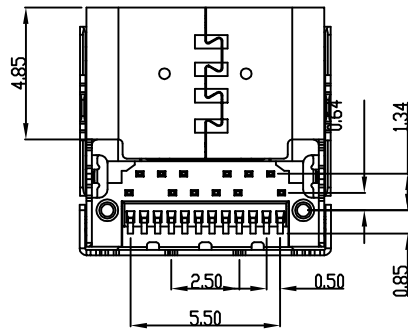
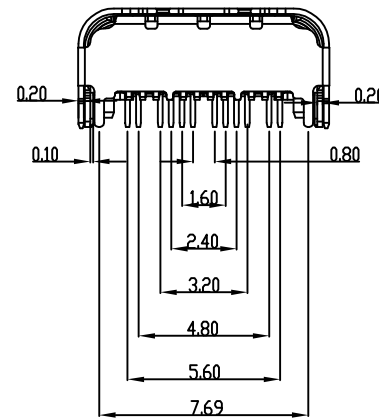
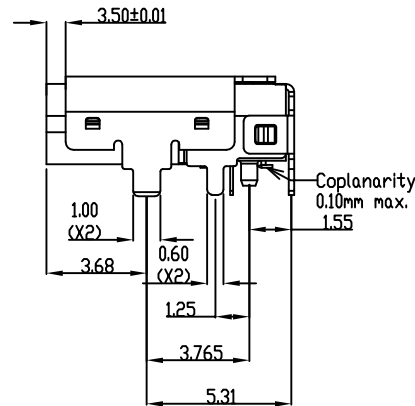
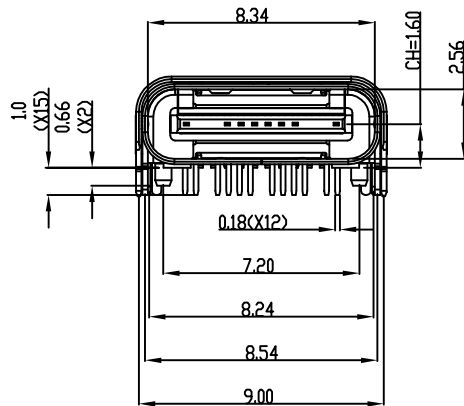
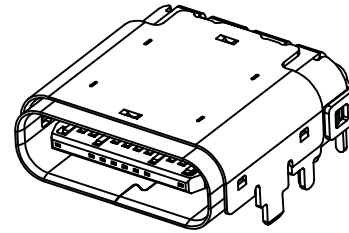
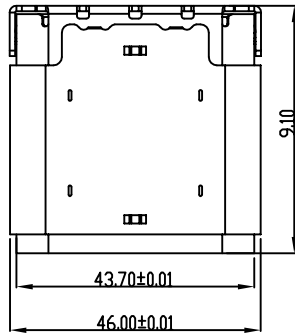


| REVISION RECORD | | |
|-----------------|-------------|------|
| REV | DESCRIPTION | DRFT |
| | | |



NOTES:

ELECTRICAL CHARACTERISTICS:

1. LOW LEVEL CONTACT RESISTANCE:
INITIAL: 40m Ω FOR ALL CONTACT MAX.
AFTER : 10m Ω MAX. CHANGE.
2. DIELECTRIC WITHSTANDING VOLTAGE:
100 VAC FOR 1 MINUTE SEA LEVEL.
3. INSULATION RESISTANCE:
100M Ω MIN.
4. CURRENT RATING:
VBUS AND GND CONTACTS RATED AT 1.25A EA.
PARALLELED FOR A TOTAL OF 5A

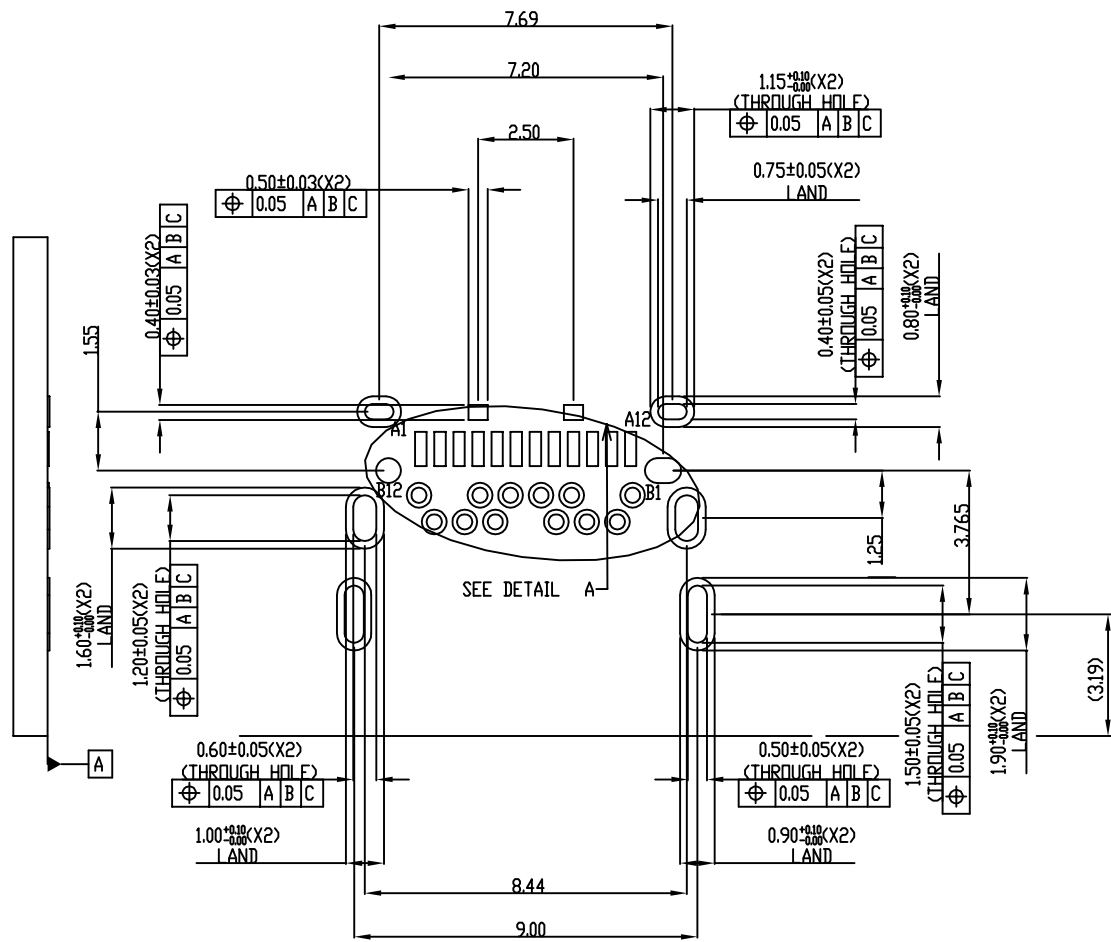
MECHANICAL CHARACTERISTICS:

1. INSERTION FORCE: 20N MAX
2. EXTRACTION FORCE 1-1000 CYCLES 8N MIN, 20N MAX.
EXTRACTION FORCE 1001-10000 CYCLES 6N MIN, 20N MAX.
3. DURABILITY : 10,000 CYCLES
4. PLATING OF CONTACT:
GOLD FLASH ON CONTACT AREA.
5. OPERATING TEMPERATURE: -55°C TO +85°C

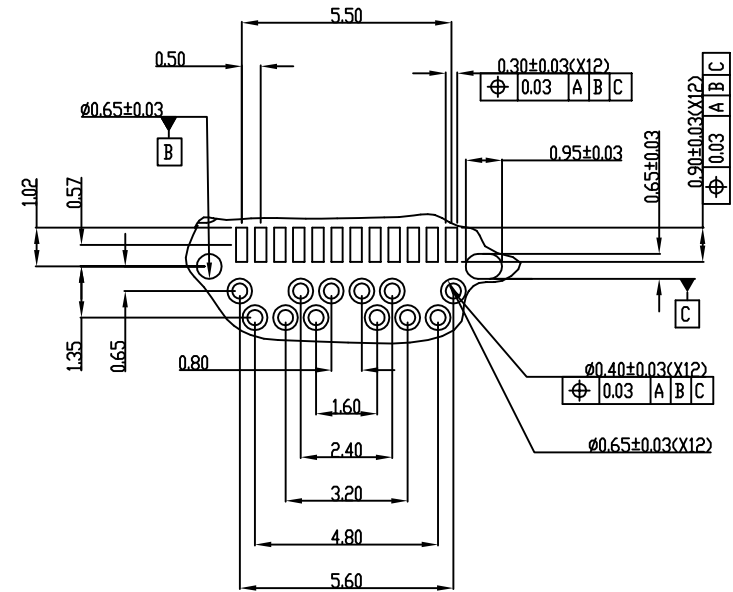
| | | | | | |
|----------------------------|---|---|--|---------------------------|----------|
| | | RoHS Compliant | | | |
| TOLERANCES EXCEPT AS NOTED | | TITLE USB TYPE - C CONN RECEPTACLE - TOP MOUNT TYPE | | | |
| MM | | | | | |
| .0 ± 0.25 | ± | | | | |
| .00 ± 0.20 | ± | DFTD : LYNN | | DRAWING NO. CE8124-015-01 | |
| .000 ± 0.10 | ± | DATE : 06/23/2015 | | /PART NO. E8124-015-01 | |
| ANGLES ± 1° | | SCALE : 1:1 | | DO NOT SCALE DRAWING | |
| | | | | SIZE A3 | REV 0 |
| | | | | SHEET | 1 OF 2 |

H
G
F
E
D
C
B
A

| REVISION RECORD | | |
|-----------------|-------------|------|
| REV | DESCRIPTION | DRFT |
| | | |



RECOMMENDED PCB LAYOUT
THICKNESS IS 0.9mm
TOLERANCE ± 0.05



DETAIL A
SCALE 7:1

| | | | | | | |
|----------------------------|----------------------------|-------------------|-----------------------|---------------------------|--------------------------|--------------|
| DETACHED LISTS | | | RoHS Compliant | | Pulse Electronics | |
| | TOLERANCES EXCEPT AS NOTED | | | | | |
| | MM | | | | | |
| | .0 ± 0.25 | | | | | |
| .00 ± 0.20 | | | | | | |
| .000 ± 0.10 | | | | | | |
| ANGLES ± 1° | | DFTO : LYNN | | DRAWING NO. CE8124-015-01 | | SIZE A3 |
| THIRD ANGLE PROJECTION | | DATE : 06/23/2015 | | /PART NO. E8124-015-01 | | REV 0 |
| | | SCALE : 1:1 | | DO NOT SCALE DRAWING | | SHEET 2 OF 2 |