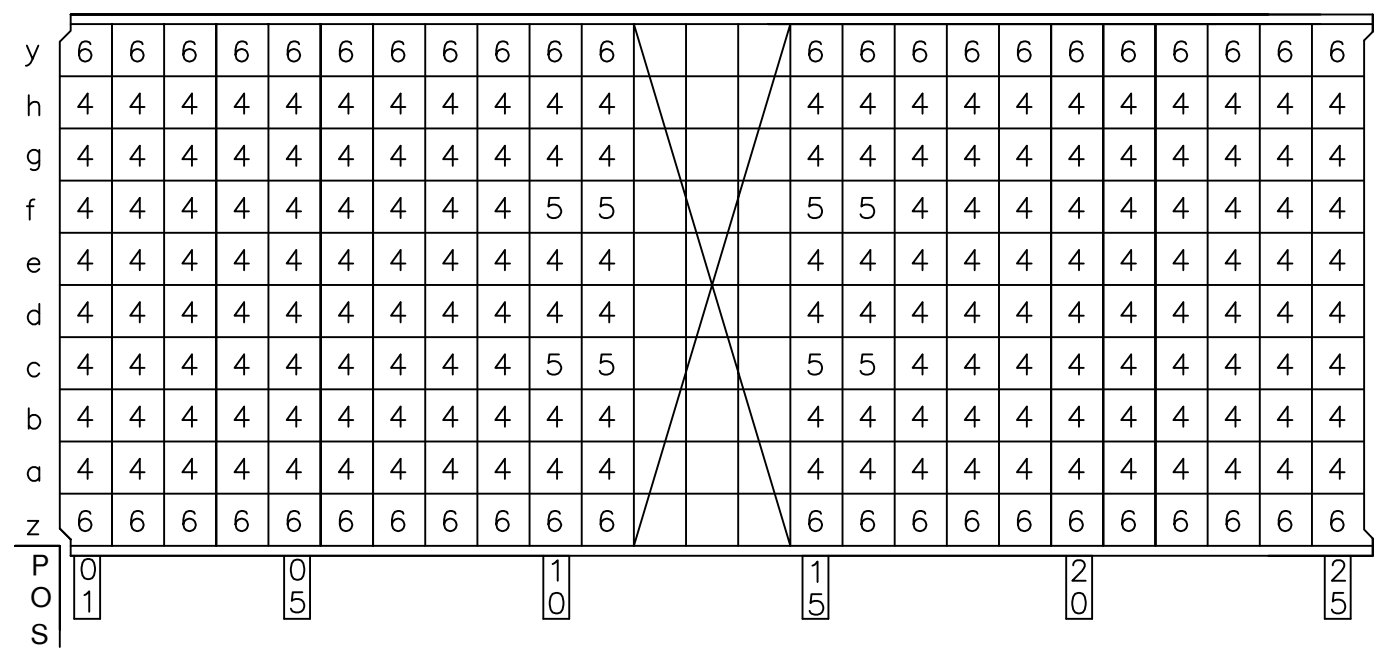
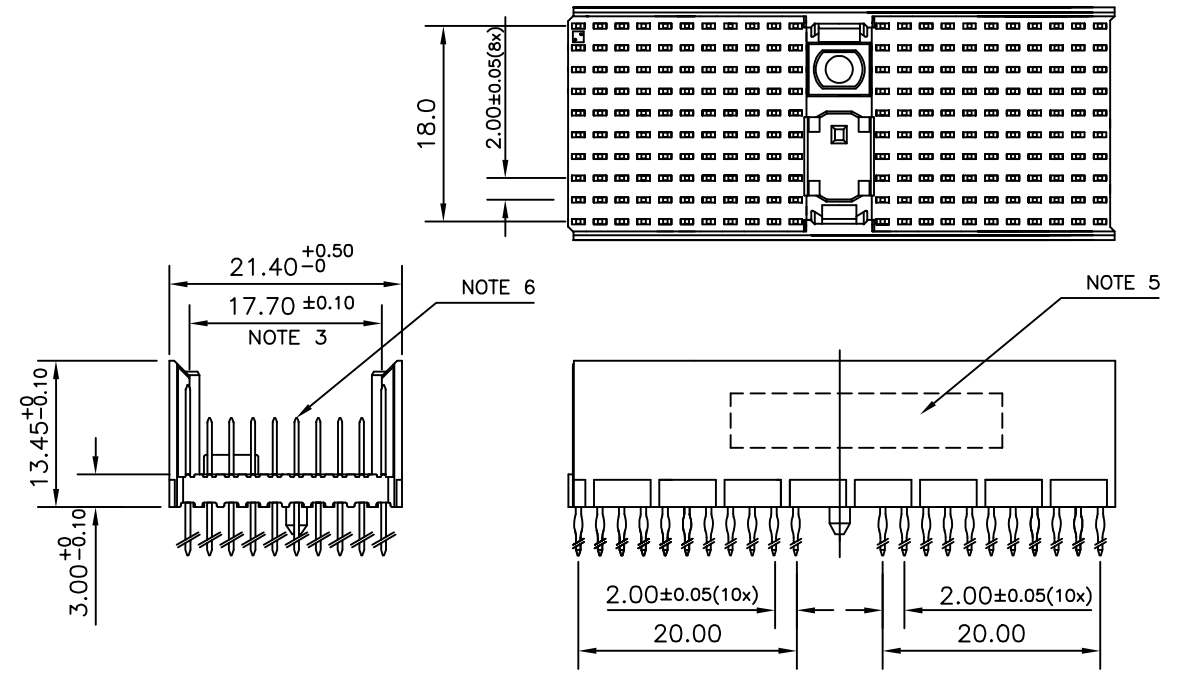


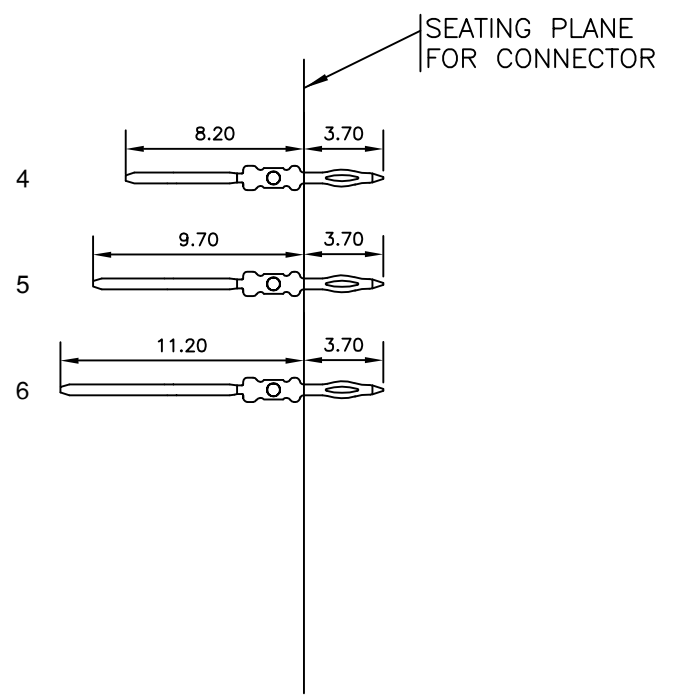
LOADING PATTERN MATING SIDE



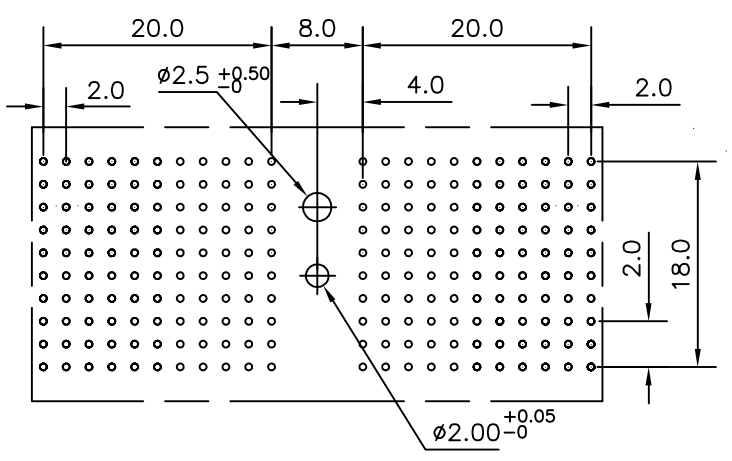
LOADED CONNECTOR ASSEMBLY  
(FOR EXAMPLE)



CONTACT OVERVIEW



LAY-OUT P.C.B.-HOLE



LEAD FREE INDICATOR : LF = LEAD FREE  
(DIGIT 15 & 16)

HM2P87PDJ1M1

PLATING CODE (DIGIT 13 AND 14)  
(REF DRW NO. BS,C , 201844 , 003)

NOTES

1. THIS PRODUCT IS CSA APPROVED.
  2. THIS PRODUCT IS UL RECOGNIZED.
  3. MEASURED AT THE BOTTOM.
  4. MATERIAL CONTACT: PHOSPHORBRONZE  
HOUSING: CREAM WHITE GLASS FILLED POLYESTER UL-94V0
  5. CONNECTOR PRINTED WITH P/N AND DATE CODE.
  6. FOR ACTUAL CONTACT LOADINGS, SEE LOADING PATTERN MATING SIDE.
  7. SHAPE OF CONNECTOR HOUSING CAN ALTER DEPENDING ON PRODUCTION LOCATION
  8. THE PRODUCT (LF) MEETS EUROPEAN UNION DIRECTIVES AND OTHER COUNTRY REGULATIONS AS DESCRIBED IN GS-22-008
  9. FOR RECOMMENDED PTH DIMENSIONS REFER DRAWING : BS, A , 201572 , 001
- PART NO: HM2P87PDJ1M1----

mat'l. code SEE NOTE 4		surface ISO 1302 ✓		tolerance ISO 406 ISO 1101		projection MM		product family MILLIPACS			
litr		ecn no		dr		date		tolerances unless otherwise specified		title	
A		I07-0141		MINI		2007-10-19		angles 0°±1°		MPACS 8+2R STR HDR PF CONN TYPE D	
								linear .0±0.2 .00±0.1		scale -	
				dr		MINI K VANDANATH		2007-10-19		dwg no sheet 1 of 1 size	
				engr		BIJU K PAUL		2007-10-19		BS, C ,203028, 791 A3	
				chr		BIJU K PAUL		2007-10-19		type Product Customer Drawing	
				appd		BIJU K PAUL		2007-10-19			
sheet index		revision sheet		A		1					