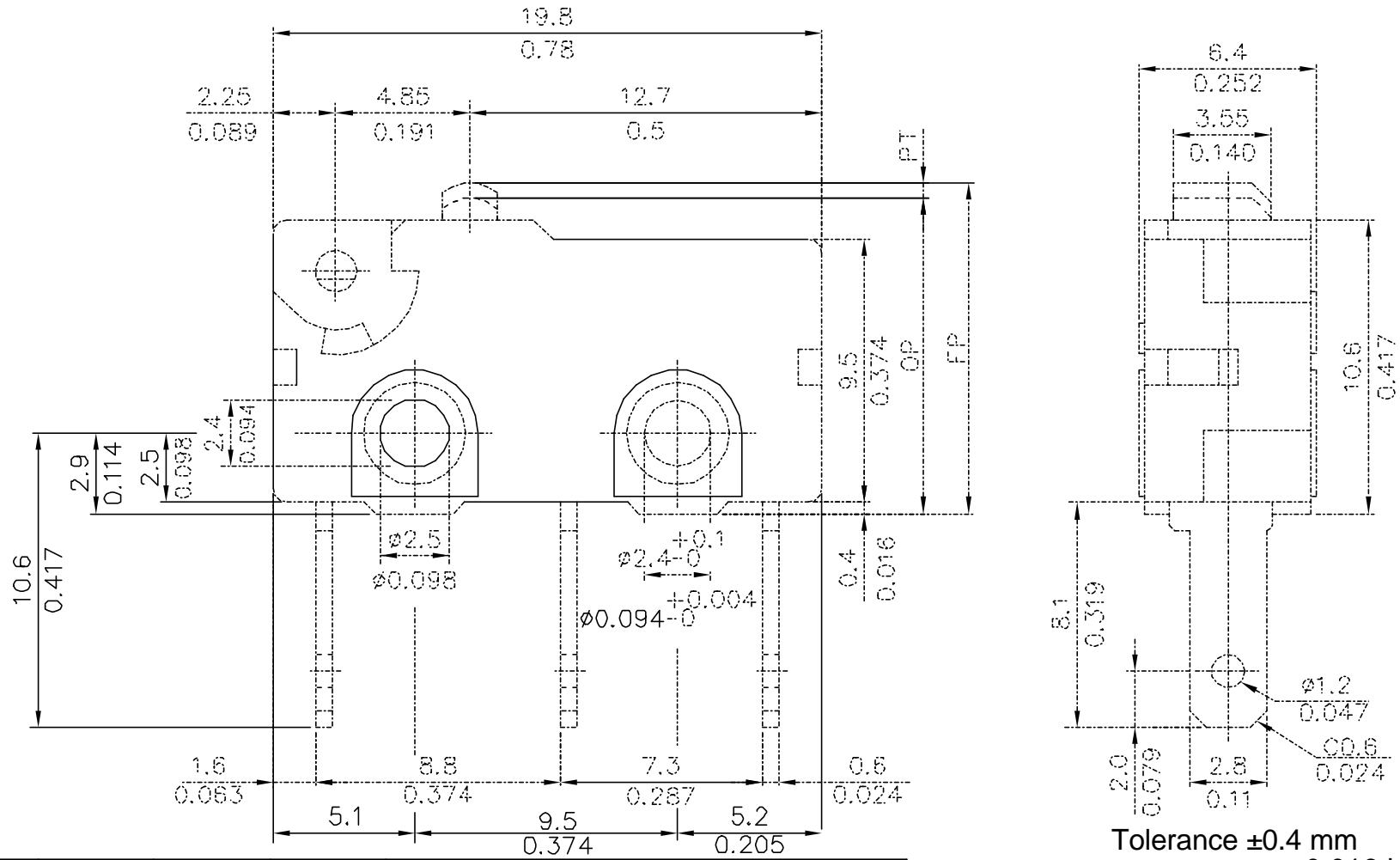


ZV10B70A01



Tolerance ± 0.4 mm
 ± 0.016 inch

	JUN 18,2002			ADD INCH UNITS			SIZE	A4	UNIT	mm / inch
REV	DATE	APPROVAL	DESIGN	ENGINEERING CHANGE DESCRIPTION	VIEW	DATE	VER.	2	FILE NAME	
					APPROVAL	Jun 18,2002	CONFIRM		DESIGN	