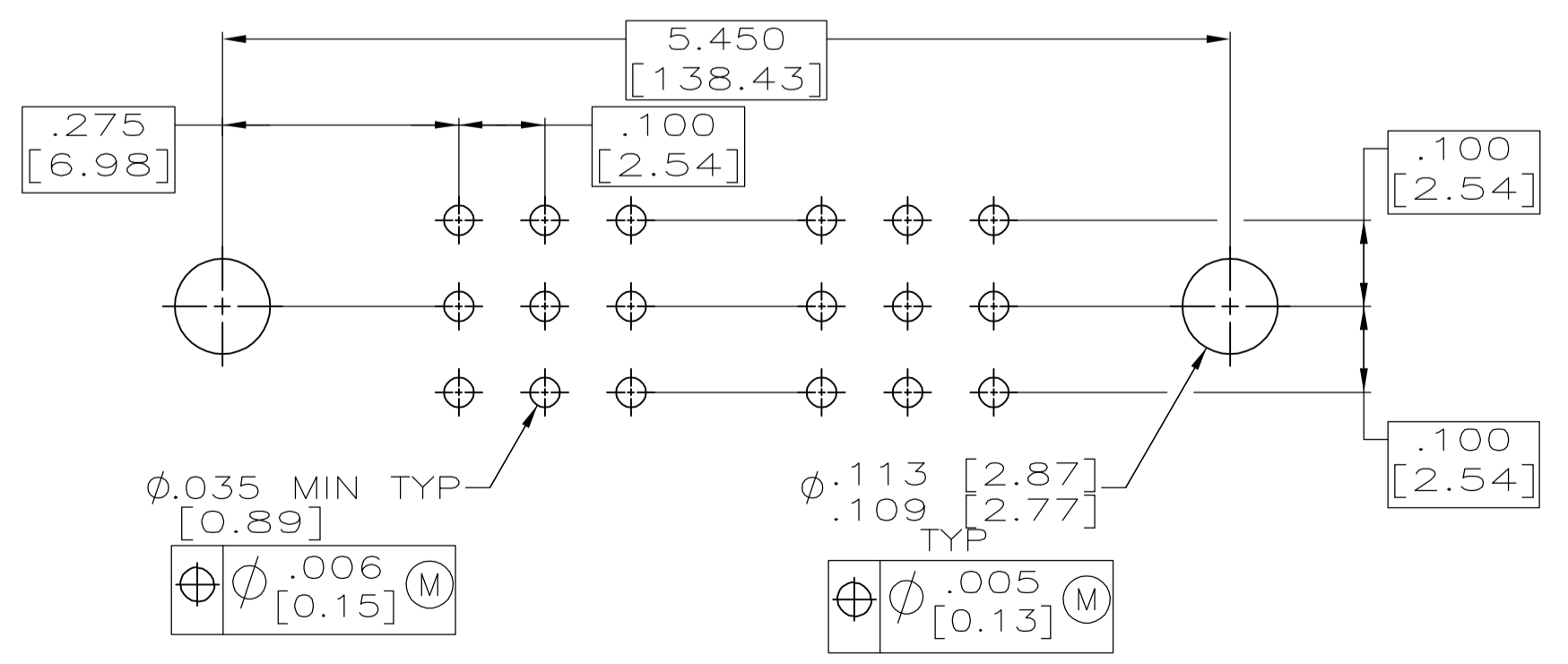
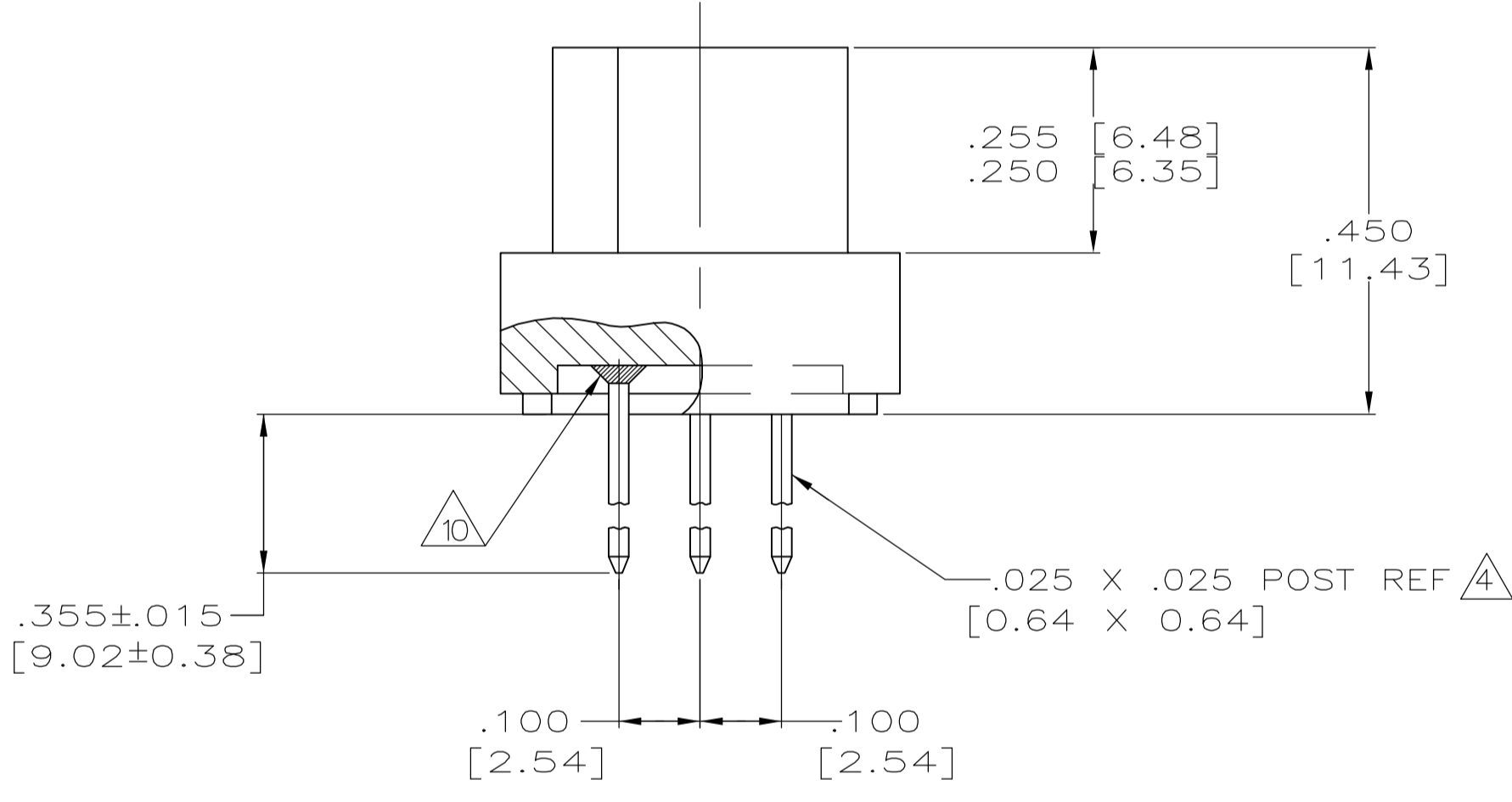
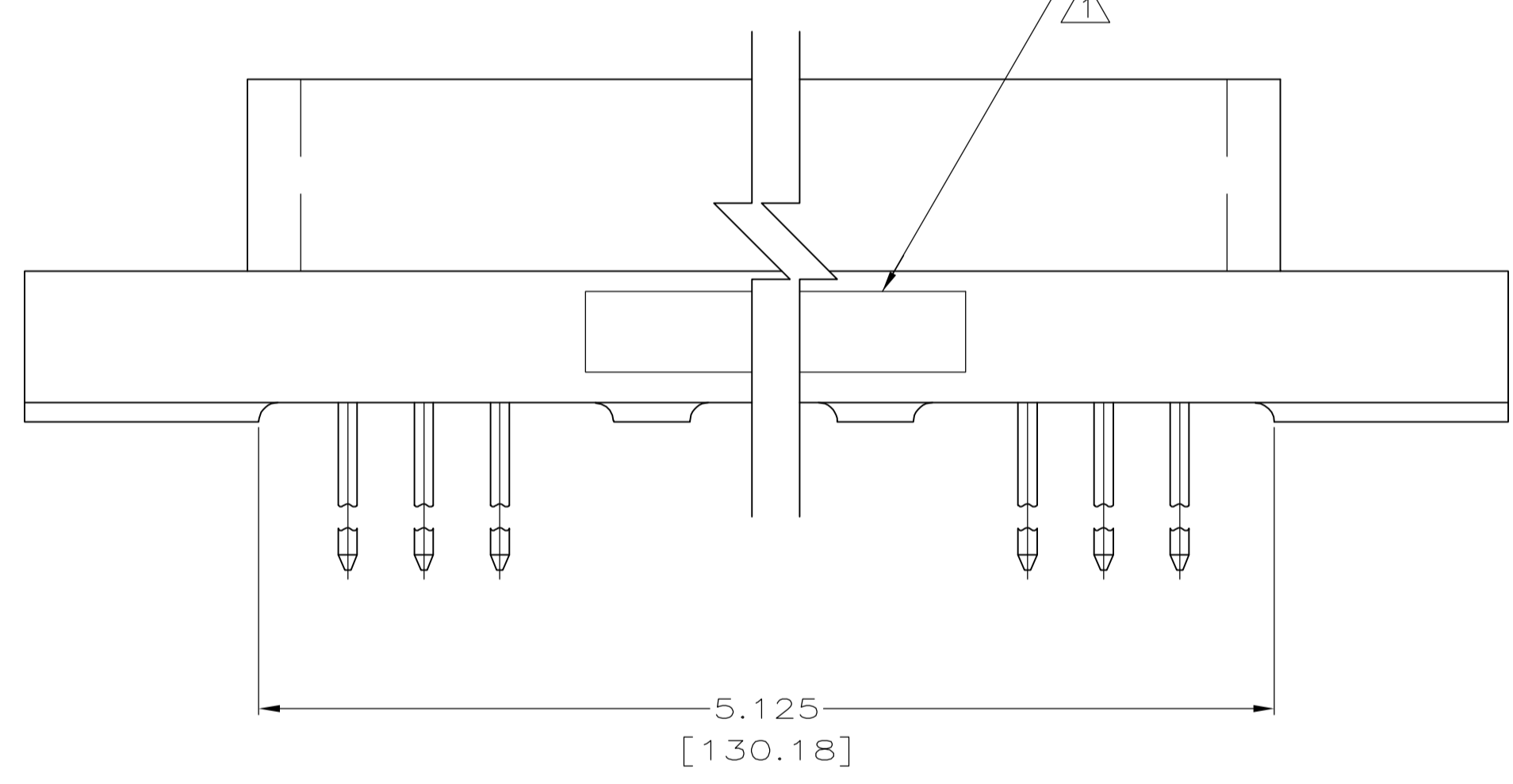
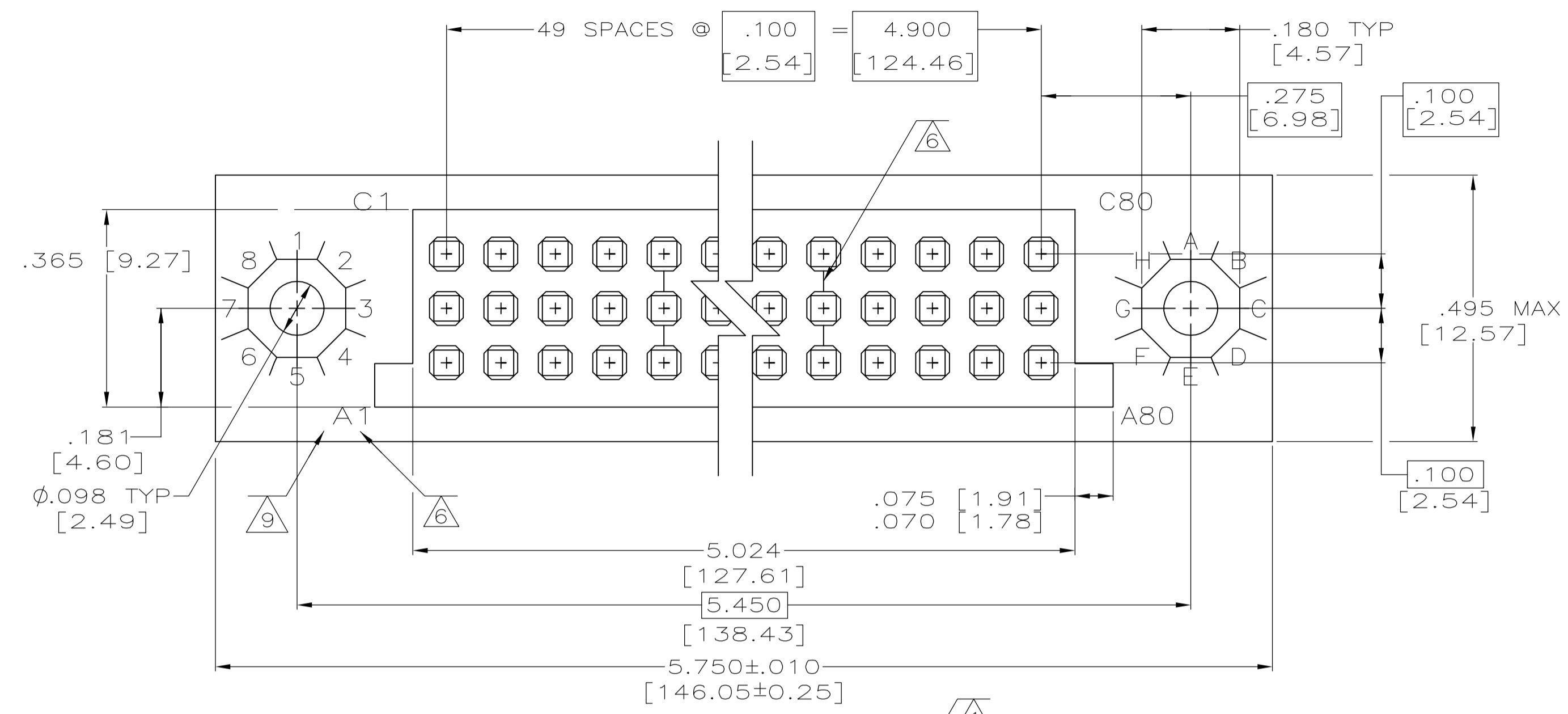


| LOC | | DIST | | REVISIONS | | | |
|-----|-----|-----------------------|---------|-----------|------|--|--|
| P | LTR | DESCRIPTION | DATE | OWN | APVD | | |
| A | | REV PER ECO 05-013561 | 06DEC05 | VF | DM | | |



RECOMMENDED P. C. BOARD WIRE WRAP TYPE

- 1 AMP, DATE CODE, AND PART NUMBER MARKED ON OPPOSITE SIDE.
- 2 HOUSING MATERIAL: POLYPHENYLENE SULFIDE.
- 3 CONTACT MATERIAL: BERYLLIUM COPPER (BeCu) OR COPPER-NICKEL-SILICON (CuNiSi).
- 4 CONTACT FINISH: .000050 GOLD OVER .000030 NICKEL OVER ENTIRE CONTACT.
- 5 LINES INDICATING EVERY FIVE CAVITIES ON THIS SURFACE EXCEPT END CAVITIES, STARTING FROM POSITION 1.
- 6 NUMBERS INDICATING END CAVITIES ON THIS SURFACE .062±.010 HIGH CHARACTERS.
- 7 TESTING: GROUP A PER MIL-C-55302.
- 8 LETTERS INDICATING OUTSIDE ROWS ON THIS SURFACE.
- 9 EPOXY SEALANT ADDED TO PREVENT WICKING OF FLUXES AND CONFORMAL COATING INTO THE CONTACT ENGAGEMENT AREA.

| | | | | | |
|--|--|--------------------------------|------------------|---|---|
| THIS DRAWING IS A CONTROLLED DOCUMENT. | | DWN T. ALEXANDER 9-16-93 | | Tyco Electronics Corporation Harrisburg, PA 17105-3608 | |
| DIMENSIONS: INCHES | | CHK D. MILLER 9-17-93 | | NAME | RECEPTACLE ASSEMBLY, BOX, .100C/L, WIRE WRAP POST, SEALED |
| TOLERANCES UNLESS OTHERWISE SPECIFIED: | | APRD B. FOLEY 9-17-83 | PRODUCT SPEC | RESTRICTED TO | |
| 0 PLC ± - | | APPLICATION SPEC | SIZE | A1 | |
| 1 PLC ± - | | WEIGHT | CAGE CODE | 00779 | |
| 2 PLC ± - | | | DRAWING NO | C=449688 | |
| 3 PLC ± .005 [0.13] | | | SCALE | 5:1 | |
| 4 PLC ± - | | | SHEET | 1 OF 1 | |
| ANGLES ± - | | | REV | A | |
| FINISH | | | CUSTOMER DRAWING | | |