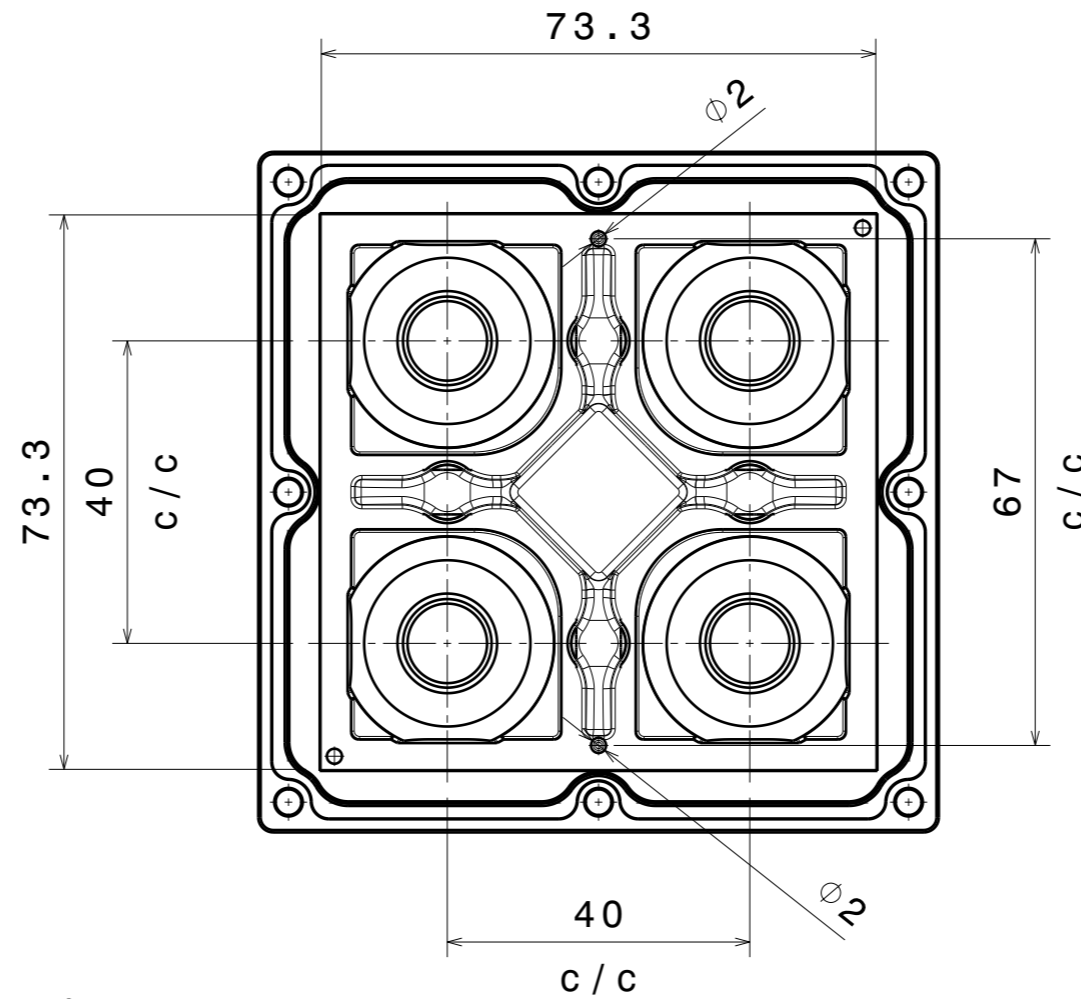
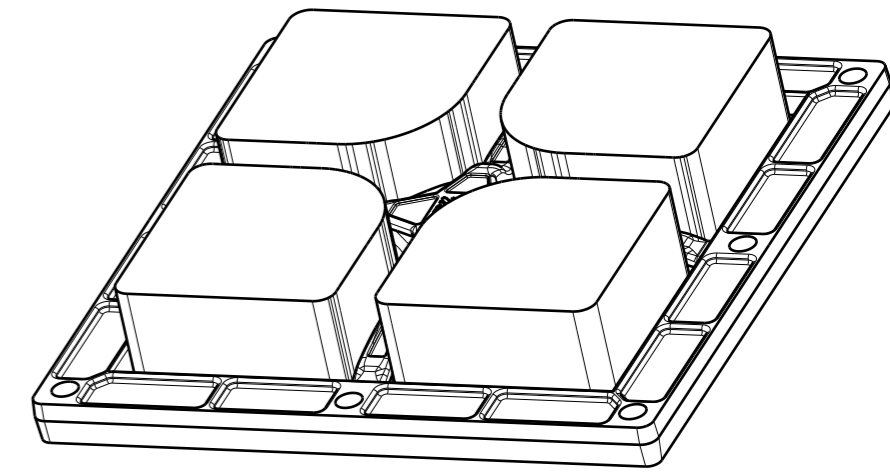


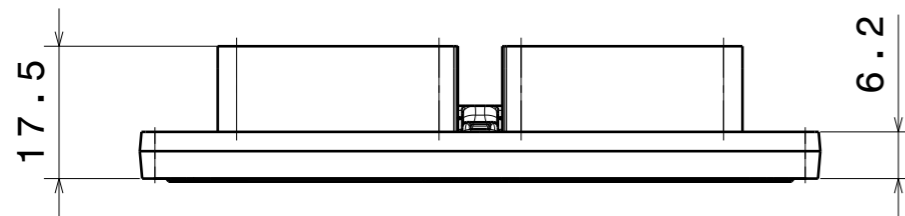
Top view



Bottom view



Isometric view



Front view

FP16310_HB-2X2MXS-M

COMPONENTS

INDEX	PART	TYPE	MATERIAL	COLOR / COATING
1	F15903_HB-2x2MXS-M		Silicone	
2	F14813_STRADA-2X2MXS-FRAME		Nylon	black

MECHANICAL DRAWING		LEDiL®
PRODUCT STRADA-MAXI		
Plastic moulding general tolerances according to DIN 16901-130 and applies if not otherwise shown in the drawing. Silicone moulding general tolerances according to ISO 3302-1 Class M3 and applies if not otherwise shown in the drawing.	FIRST ANGLE PROJECTION: 	This drawing is the property of LEDiL Oy. It may not be copied or otherwise distributed without prior written permission from LEDiL Oy.
SCALE 1:1	WEIGHT 64 g	A3 SHEET 1/1