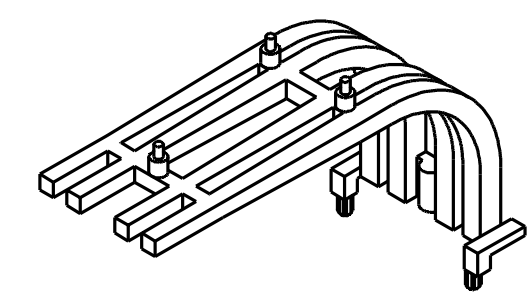
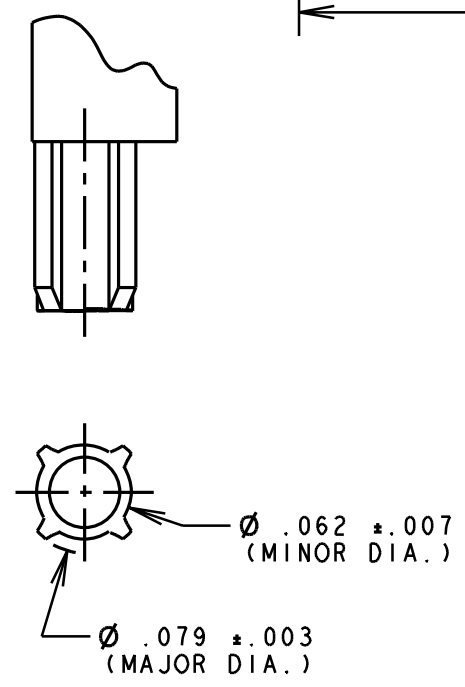
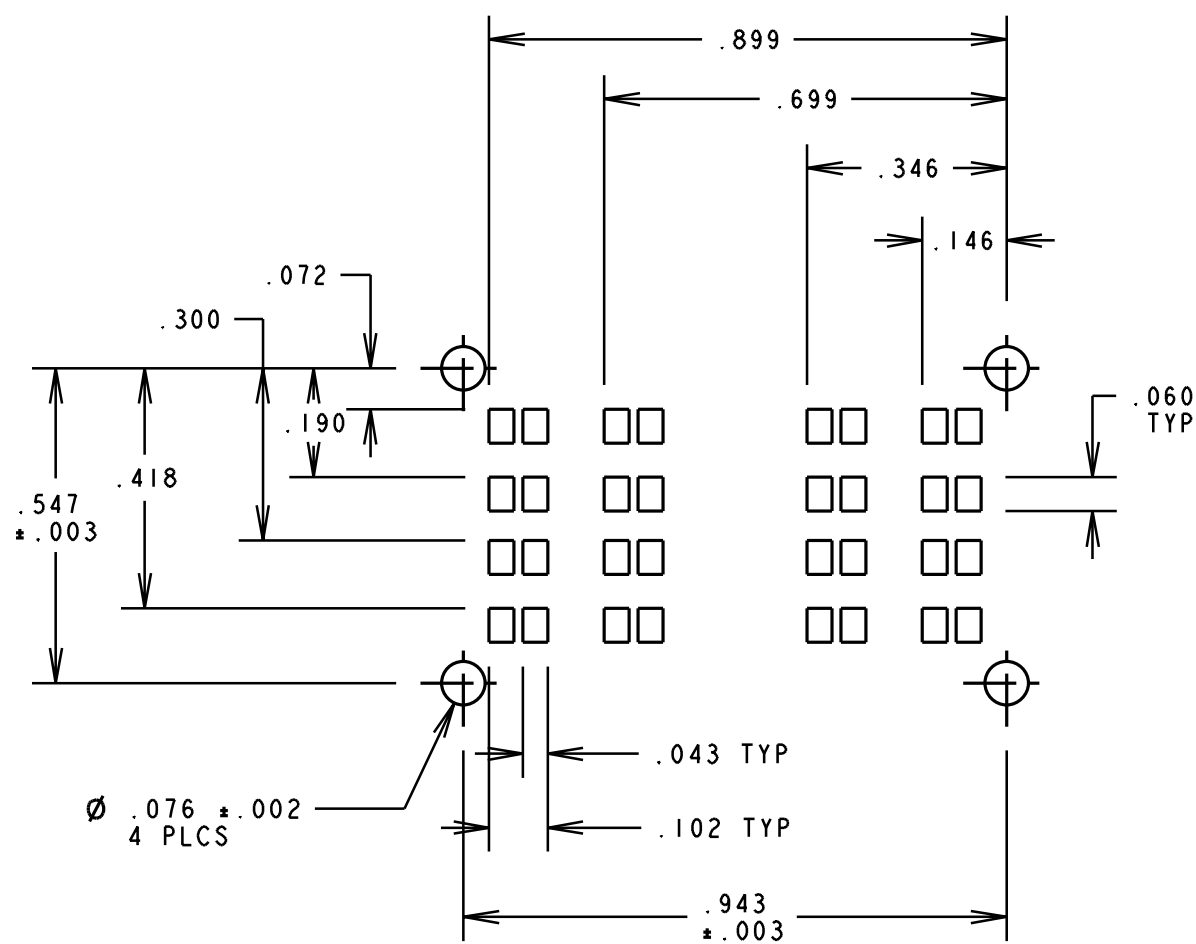
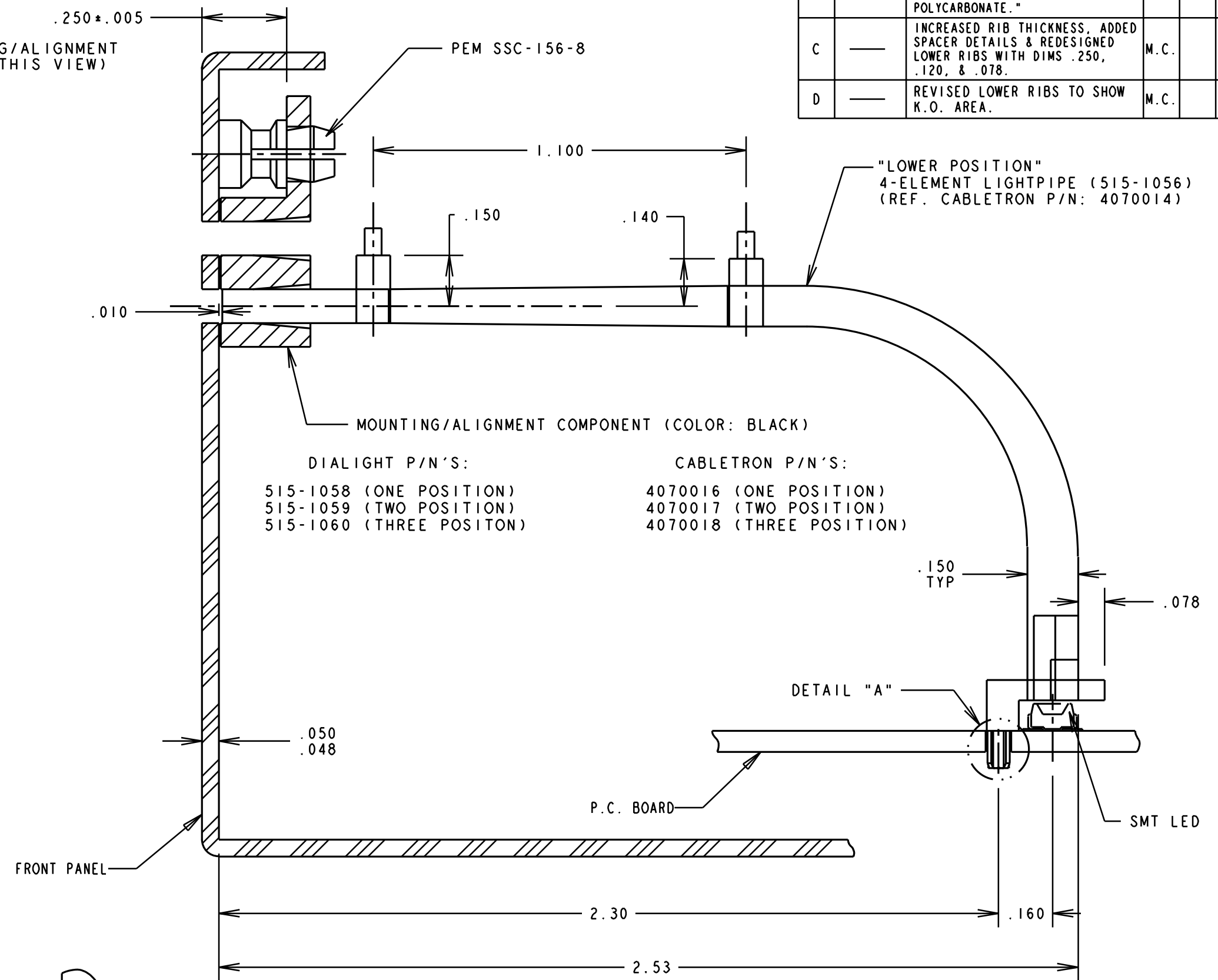
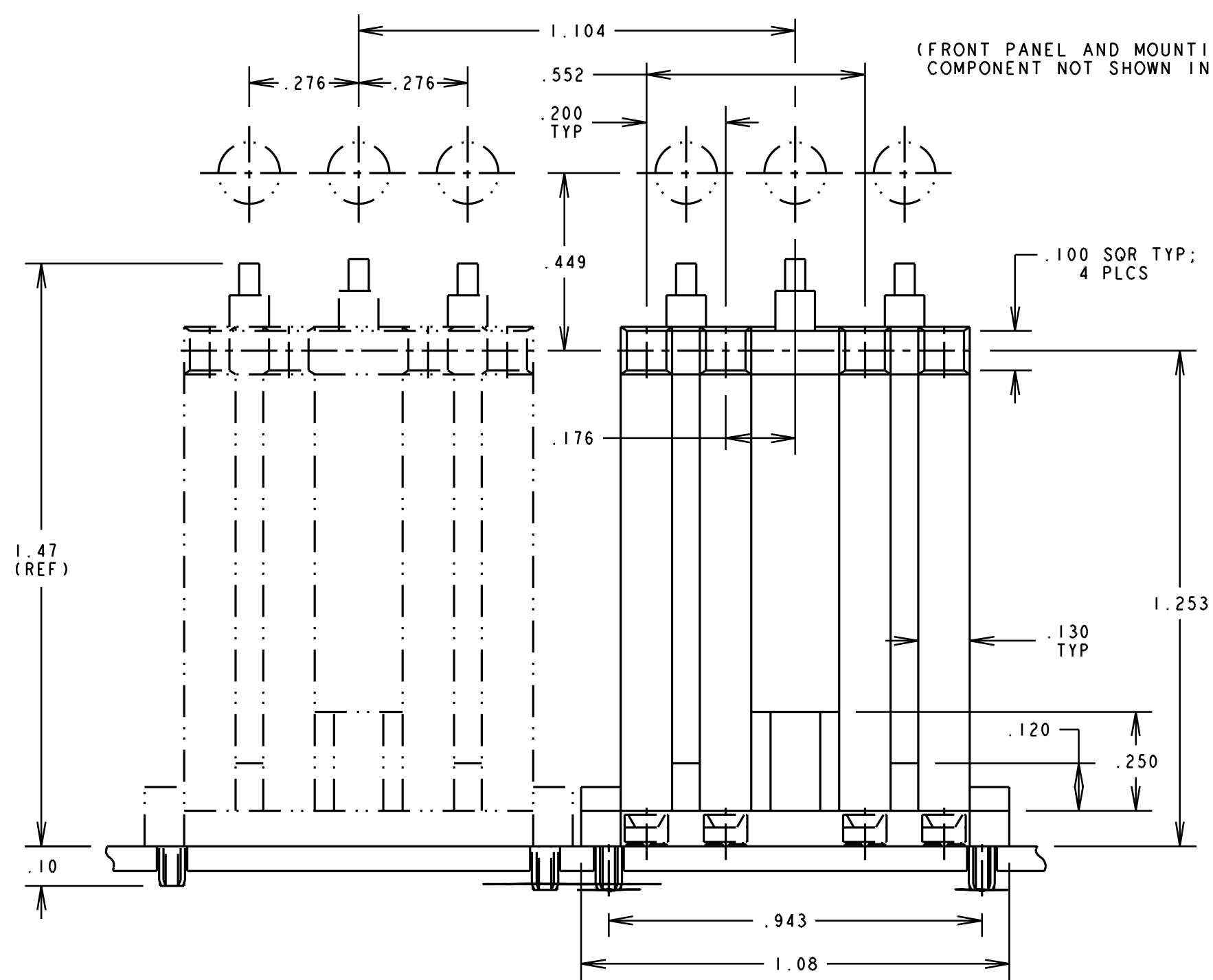


REV.	ECN NO.	REVISIONS	DRN.	CKD.	APP.	DATE
A		NEW RELEASE	M.C.		N.O.	4-21-97
B		ADDED DETAIL "A", DELETED Ø.080 (MOM)... "LEADER NOTE, COLOR: BLACK WAS WHITE, & NOTE 1 READ "... CLEAR TRANSMISSIVE POLYCARBONATE."	M.C.		D.C.	6-13-97
C		INCREASED RIB THICKNESS, ADDED SPACER DETAILS & REDESIGNED LOWER RIBS WITH DIMS .250, .120, & .078.	M.C.		A.V.	7-16-97
D		REVISED LOWER RIBS TO SHOW K.O. AREA.	M.C.			



- NOTES:
1. LIGHTPIPE COMPONENT TO BE MOLDED IN A CLEAR TRANSMISSIVE POLYCARBONATE WITH UL FLAMMIBILITY RATING OF 94V-0.
  2. COMPONENT DESIGNED TO BE CONNECTED TO 515-1057 COMPONENT BY MEANS OF A FRICTION FIT, THEN PRESSED INTO P.C. BOARD TOGETHER.
  3. DIALIGHT PART NUMBER: 515-1056

THIS DRAWING AND THE CONTENTS HEREIN ARE CONFIDENTIAL AND THE SOLE PROPERTY OF DIALIGHT. REPRODUCTION OF THIS DRAWING OR CONSTRUCTION OF ANY PARTS WITHIN THIS DRAWING ARE FORBIDDEN WITHOUT THE WRITTEN CONSENT OF DIALIGHT.		
SCALE 3:1	DRAWING NUMBER	REV
ALL DIM'S IN: INCHES	C-16172	D
TOLERANCES: UNLESS OTHERWISE SPECIFIED	TITLE 4-ELEMENT "LOWER" POSITION LIGHTPIPE	
FRACTIONS: ±1/64	MATERIAL	
DECIMALS (.XX): ±.02	Dialight 1913 ATLANTIC AVE. MANASQUAN, N.J. 08736	
DECIMALS (.XXX): ±.015	FSCM 83330	
ANGLES: ±1°	SHEET OF FAMILY TABLES:	
FINISH:		