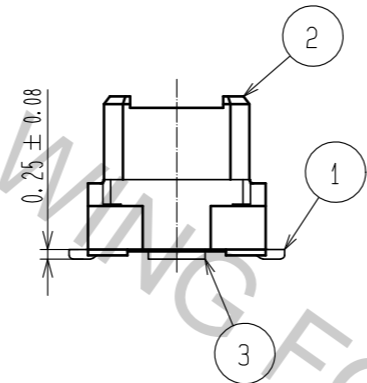
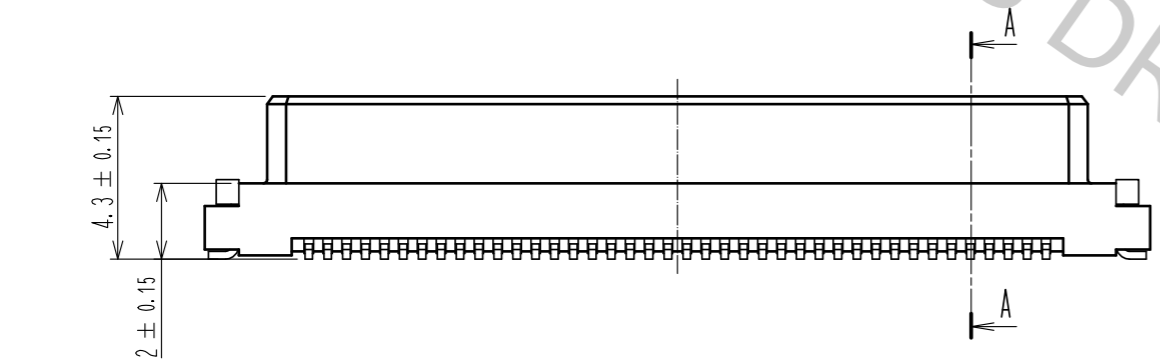
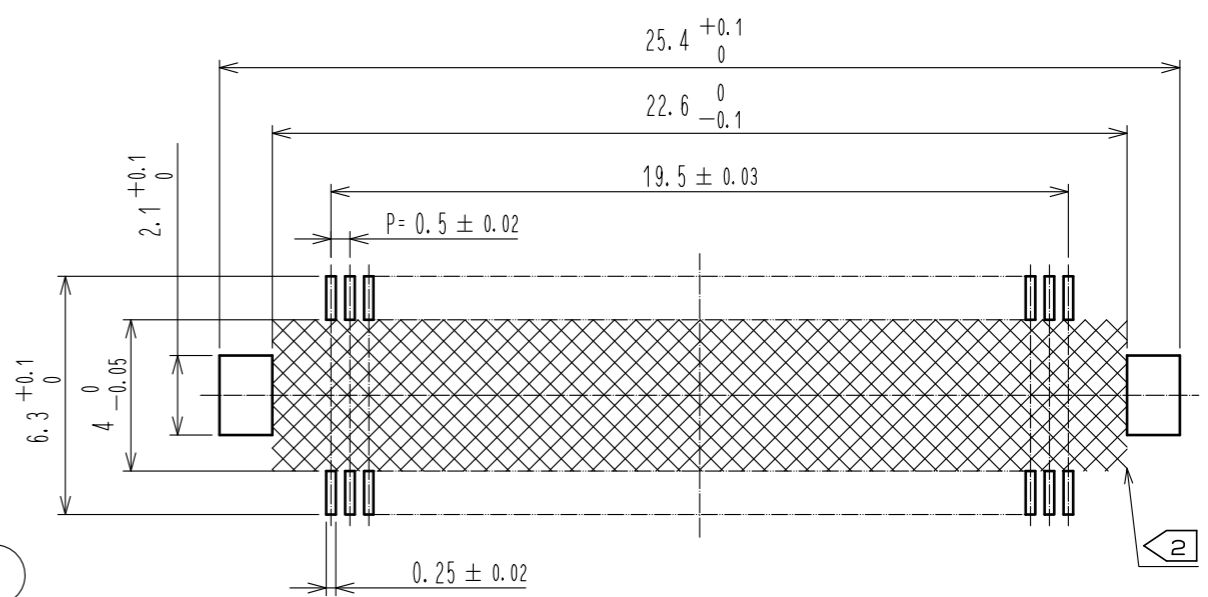
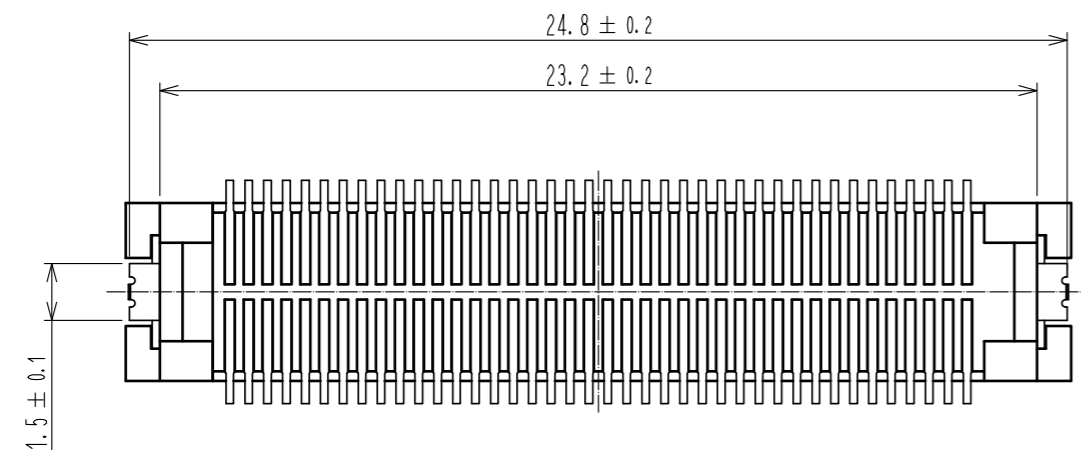
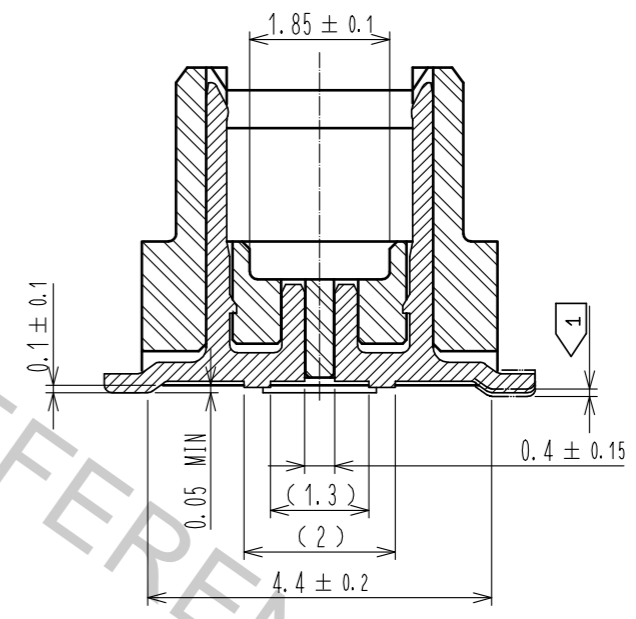


RECOMMENDED PATTERN

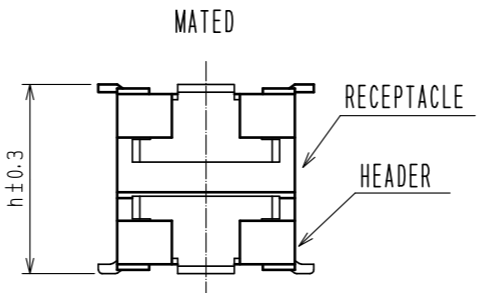


A-A(10:1)



- NOTES
- ① LEAD CO-PLANARITY INCLUDE REINFORCED METAL FITTINGS SHALL BE 0.1mm MAX.
 - ② IF THE RESIST PROCESSING HAS NOT MADE, IT HAS POSSIBILITY THAT THE TERMINAL TOUCHES WITH AREA. PLEASE BE NOTED THIS POINT.

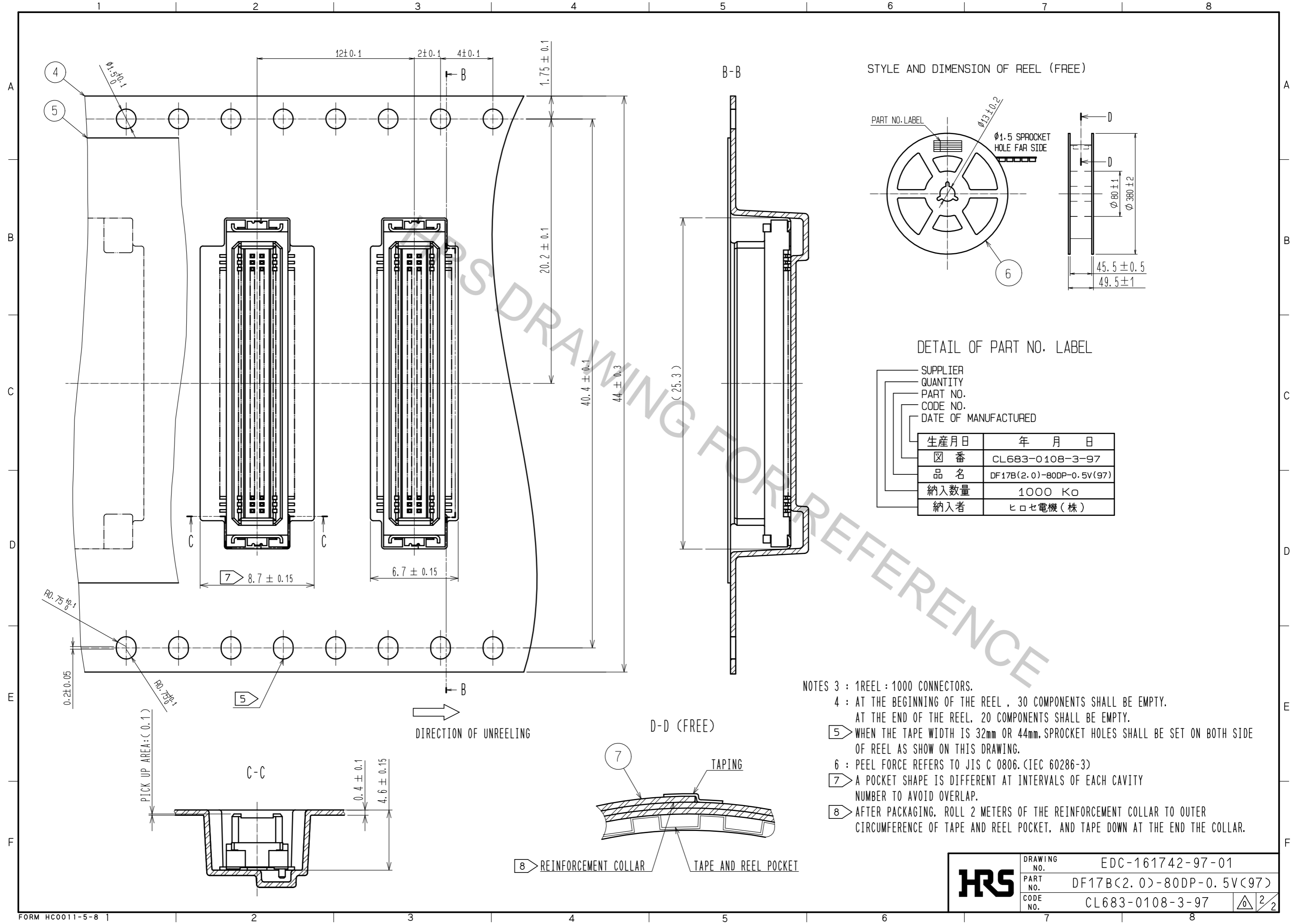
| MATED HIGHT(h) | RECEPTACLE NO. | DF17#(3.0)-80DS-0.5V(**) | DF17#(4.0)-80DS-0.5V(**) |
|----------------|--------------------------|--------------------------|--------------------------|
| | DF17B(2.0)-80DP-0.5V(97) | 5 | 6 |



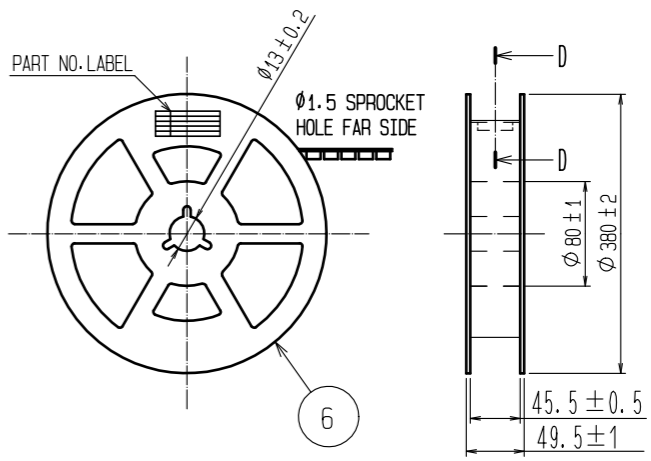
| NO. | MATERIAL | FINISH . REMARKS | NO. | MATERIAL | FINISH . REMARKS |
|-----|------------------|--|-----|-----------------|--|
| 2 | POLYAMIDE (PA6T) | WHITE BEIGE . UL94V-0 | 7 | PS | CLEAR (REINFORCEMENT COLLAR) |
| 1 | PHOSPHER BRONZE | CONTACT AREA : GOLD PLATED 0.1μm min LEAD AREA : TIN PLATED 1μm min UNDER PLATING : NICKEL 1μm min | 6 | PS | BLACK (PLASTIC REEL) |
| | | | 5 | POLYESTER | CLEAR (COVER TAPE) |
| | | | 4 | PS | CLEAR (EMBOSSED CARRIER TAPE) |
| | | | 3 | PHOSPHER BRONZE | TIN PLATED 1μm min UNDER PLATING : NICKEL 1μm min |

| UNITS | SCALE | COUNT | DESCRIPTION OF REVISIONS | DESIGNED | CHECKED | DATE |
|-------|-------|-------|--------------------------|----------|---------|------|
| mm | 5 : 1 | △ | | | | |

| | | | |
|------------------------|----------|-------------|--------------------------|
| APPROVED : MO. ISHIDA | 15.12.12 | DRAWING NO. | EDC-161742-97-01 |
| CHECKED : TS. MIYAZAKI | 15.12.11 | PART NO. | DF17B(2.0)-80DP-0.5V(97) |
| DESIGNED : SH. HOSODA | 15.12.11 | CODE NO. | CL683-0108-3-97 |
| DRAWN : KR. AJITO | 15.12.11 | | |



STYLE AND DIMENSION OF REEL (FREE)



- NOTES 3 : 1REEL : 1000 CONNECTORS.
 4 : AT THE BEGINNING OF THE REEL , 30 COMPONENTS SHALL BE EMPTY.
 AT THE END OF THE REEL, 20 COMPONENTS SHALL BE EMPTY.
 5 WHEN THE TAPE WIDTH IS 32mm OR 44mm, SPROCKET HOLES SHALL BE SET ON BOTH SIDE OF REEL AS SHOW ON THIS DRAWING.
 6 : PEEL FORCE REFERS TO JIS C 0806. (IEC 60286-3)
 7 A POCKET SHAPE IS DIFFERENT AT INTERVALS OF EACH CAVITY NUMBER TO AVOID OVERLAP.
 8 AFTER PACKAGING, ROLL 2 METERS OF THE REINFORCEMENT COLLAR TO OUTER CIRCUMFERENCE OF TAPE AND REEL POCKET, AND TAPE DOWN AT THE END THE COLLAR.

| | | |
|------------|-------------|--------------------------|
| HRS | DRAWING NO. | EDC-161742-97-01 |
| | PART NO. | DF17B(2.0)-80DP-0.5V(97) |
| | CODE NO. | CL683-0108-3-97 |
| | | 2/2 |