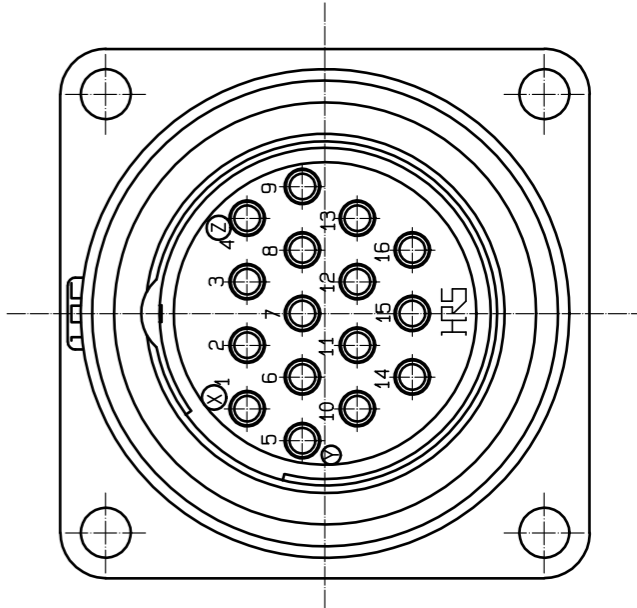
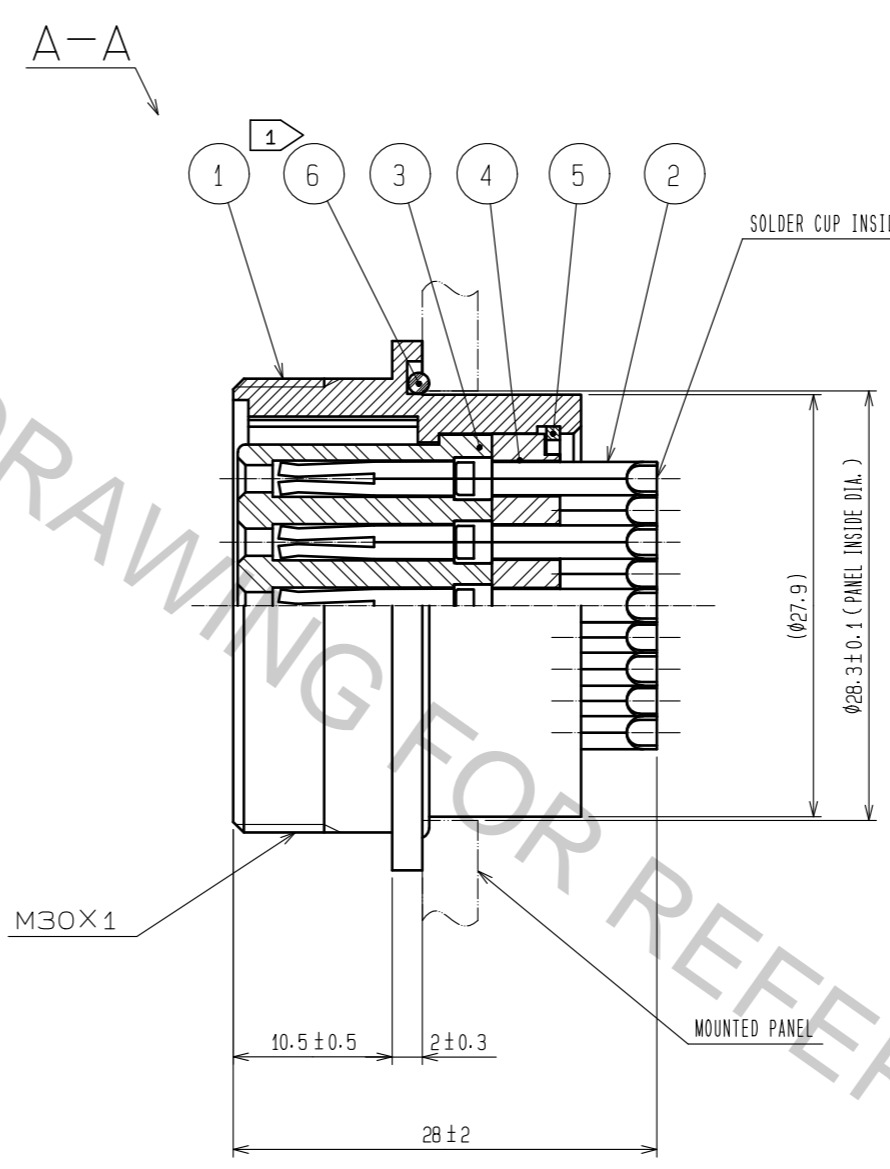
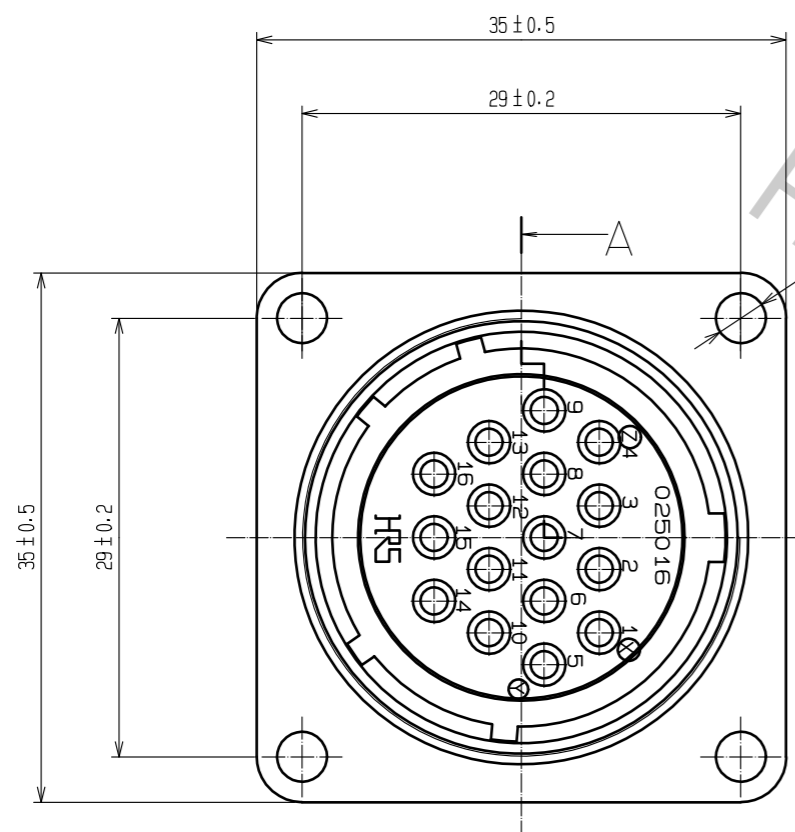


Aug.1.2018 Copyright 2018 HIROSE ELECTRIC CO., LTD. All Rights Reserved.
 In case that the application demands a high level of reliability, such as automotive,
 please contact a company representative for further information.



NOTE 1 WHEN MOUNTED ON CHASSIS, MAKE SURE THAT REFERENCE NO. ① IS FITTED INTO THE INDICATED GROOVE WITHOUT PINCHED AND DEFORMED.

3	PHENOL-FORMALDEHYDE	(BLACK)	UL94V-0	6	NBR	(BLACK)		
2	COPPER ALLOY	SILVER PLATING 2 μm min.		5	PHOSPHOR BRONZE	NICKEL PLATING		
1	ALUMINUM ALLOY	BLACK CHROME PLATING		4	PHENOL-FORMALDEHYDE	(BLACK) UL94V-0		
NO.	MATERIAL	FINISH	REMARKS	NO.	MATERIAL	FINISH	REMARKS	
UNITS	mm	SCALE	2 : 1	COUNT	DESCRIPTION OF REVISIONS	DESIGNED	CHECKED	DATE
HRS HIROSE ELECTRIC CO., LTD.		APPROVED	: HY. KOBAYASHI	18.02.26	DRAWING NO.	EDC-110592-31-00		
		CHECKED	: HY. KOBAYASHI	18.02.26	PART NO.	JR25WR-16S(31)		
		DESIGNED	: TH. KAMEYA	18.02.23	CODE NO.	CL114-2043-5-31		
		DRAWN	: MK. INOUE	18.02.13		①/1		