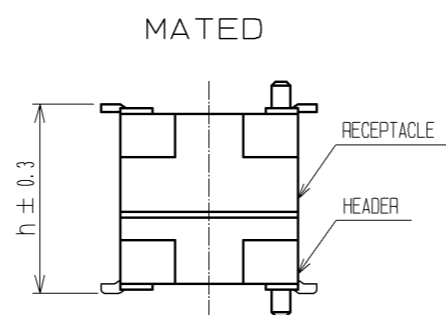


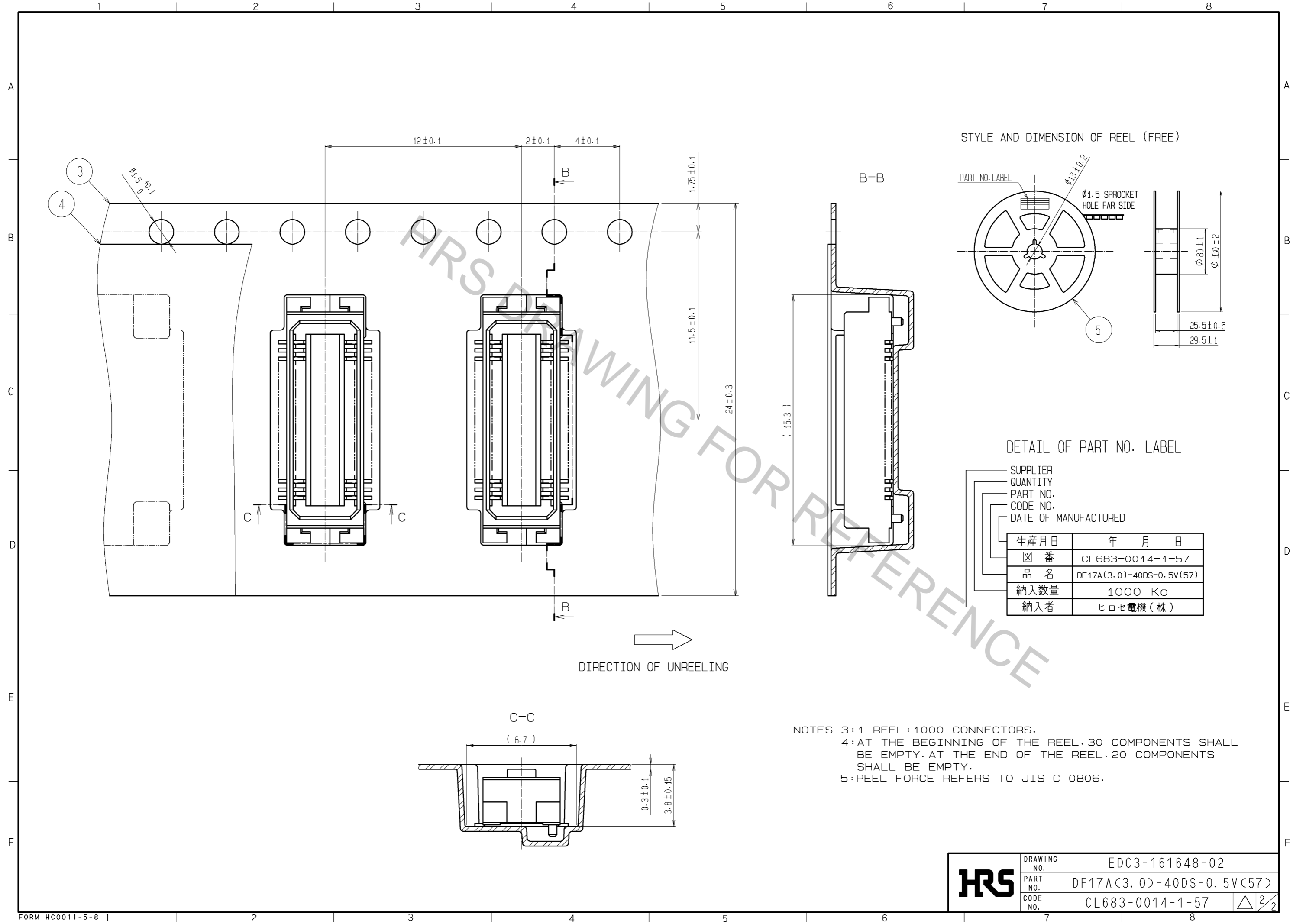
NOTES ①: LEAD CO-PLANARITY INCLUDE REINFORCED METAL FITTINGS SHALL BE 0.1mm MAX.
 ②: WHEN A PART MARKED WITH [HATCH] HAS A PATTERN BUT NO RESIST ON IT. TAKE CARE TO PREVENT THE CONNECTOR FROM TOUCHING IT.

MATED HIGHT (h)		(mm)
HEADER NO.	RECEPTACLE NO.	
DF17#(2.0)-40DP-0.5V(57)	DF17A(3.0)-40DS-0.5V(57)	5
DF17#(4.0)-40DP-0.5V(57)		7

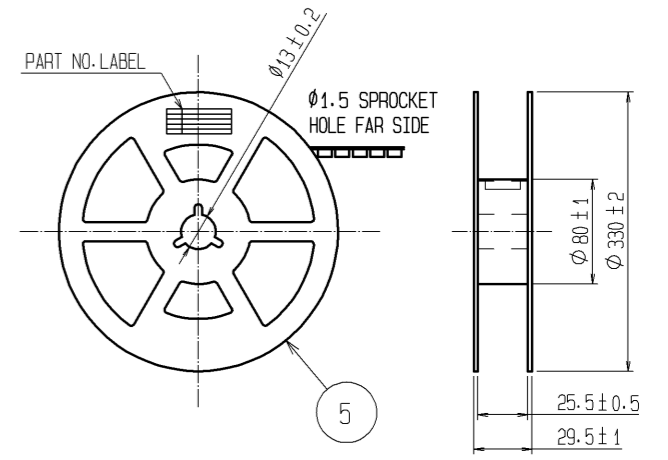


NO.	MATERIAL	FINISH	REMARKS	NO.	MATERIAL	FINISH	REMARKS	
2	POLYAMIDE (PA6T)	WHITE BEIGE	UL94V-0	5	PS	BLACK	(PLASTIC REEL)	
1	PHOSPHER BRONZE	CONTACT AREA:GOLD PLATED 0.1µm min	LEAD AREA:GOLD PLATED 0.02µm min	4	POLYESTER	CLEAR	(COVER TAPE)	
				3	A-PET	CLEAR	(EMBOSSSED CARRIER TAPE)	
UNITS mm		SCALE 5:1	COUNT	DESCRIPTION OF REVISIONS		DESIGNED	CHECKED	DATE
HIROSE ELECTRIC CO., LTD.		APPROVED	: KH. IKEDA	08.11.20	DRAWING NO. EDC3-161648-02			
		CHECKED	: TS. MIYAZAKI	08.11.20	PART NO. DF17A(3.0)-40DS-0.5V(57)			
		DESIGNED	: TY. YAMASAKI	08.11.19	CODE NO. CL683-0014-1-57			
		DRAWN	: TY. YAMASAKI	08.11.19	1/2			

Apr.1.2017 Copyright 2017 HIROSE ELECTRIC CO., LTD. All Rights Reserved.



STYLE AND DIMENSION OF REEL (FREE)



DETAIL OF PART NO. LABEL

SUPPLIER	生産月日	年 月 日
QUANTITY	☒ 番	CL683-0014-1-57
PART NO.	品 名	DF17A(3.0)-40DS-0.5V(57)
CODE NO.	納入数量	1000 KO
DATE OF MANUFACTURED	納入者	ヒロセ電機(株)

DIRECTION OF UNREELING

NOTES 3:1 REEL:1000 CONNECTORS.
 4: AT THE BEGINNING OF THE REEL, 30 COMPONENTS SHALL BE EMPTY. AT THE END OF THE REEL, 20 COMPONENTS SHALL BE EMPTY.
 5: PEEL FORCE REFERS TO JIS C 0806.

HRS	DRAWING NO.	EDC3-161648-02
	PART NO.	DF17A(3.0)-40DS-0.5V(57)
	CODE NO.	CL683-0014-1-57
		\triangle 2/2