

PRODUCT NUMBER

20020130-XXXXXXLF

20020130-□ □ □ □ A 0 □ L F

PITCH

C: 3.50 mm  
D: 3.81 mm  
G: 5.00 mm  
H: 5.08 mm

POLES

02: 2 POLES  
03: 3 POLES  
04: 4 POLES  
  
24: 24 POLES



LF : DENOTED RoHS COMPATIBLE

1 : STANDARD PRODUCT  
W/ BOX PACKING

HOUSING CODE

CODE	COLOR	AVAILABILITY
1	GREEN(RAL 6018/T)	STANDARD
2	BLACK	ON REQUEST ONLY
3	GREY(RAL 7004/P)	ON REQUEST ONLY
4	BLUE(RAL 5015/A)	ON REQUEST ONLY

PROPERTY TABLE

FCI SERIES NAME		30-350	30-381	30-500	30-508
PITCH (mm)		3.50	3.81	5.00	5.08
VOLTAGE RATING (VAC)		300	300	300	300
CURRENT RATING (A)	cULus	8	8	15	15
	VDE	10	10	NA	NA
WITHSTANDING VOLTAGE (kV)	cULus	1.6	1.6	1.6	1.6
	VDE	2.5	2.5	NA	NA
OPERATING TEMP. (°C)		-40~+115	-40~+115	-40~+115	-40~+115
SOLDERING TEMP. (°C)		250±10 (5 sec.)	250±10 (5 sec.)	250±10 (5 sec.)	250±10 (5 sec.)
POLES AVAILABLE		02~24	02~24	02~24	02~24
SAFETY CERTIFICATE					

NOTES:

1. MATERIALS

1-1 HOUSING: THERMALPLASTIC RESIN, UL 94V-0 RATED.

1-2 TERMINAL: COPPER ALLOY, TIN PLATED.

2. PRODUCT SPECIFICATION REFER TO FCI GS-12-625.

3. BOXED PACKAGING,

DETAILED PRODUCT PACKING SPECIFICATION REFER TO FCI GS-14-1394.

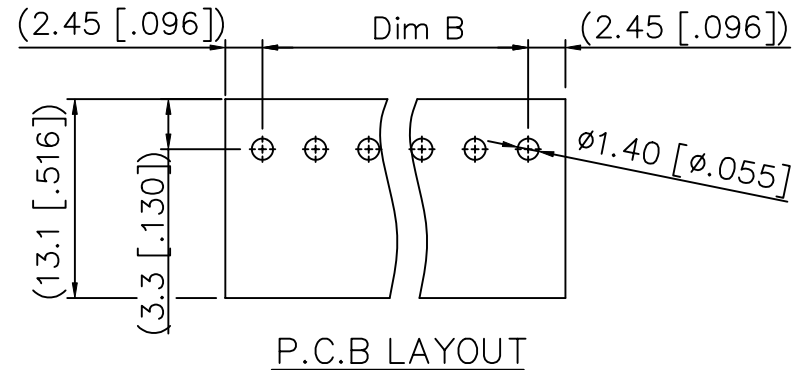
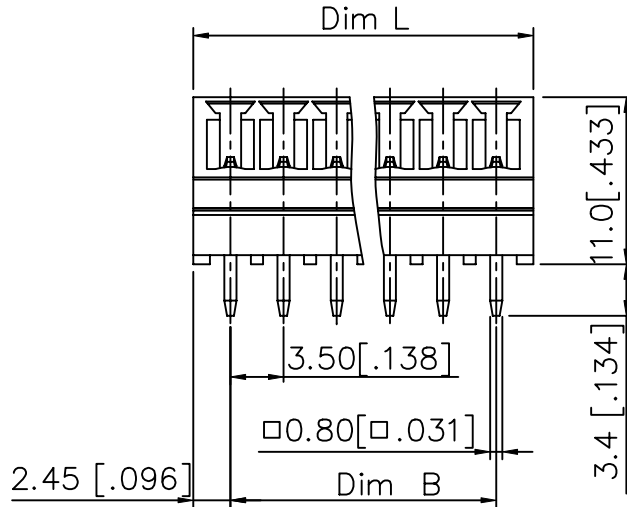
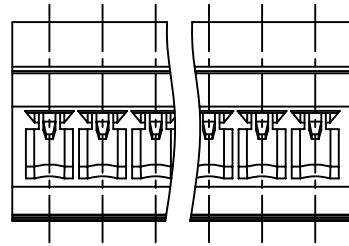
4. FCI, SAFETY CERTIFICATE LOGO AND SERIES NAME TO BE SHOWN ON PRODUCT SURFACE.

5. THE PRODUCTS WHERE THE PART NUMBER END IN "LF" MEET THE EUROPEAN UNION DIRECTIVE AND OTHER COUNTRY REGULATIONS AS DESCRIBED IN GS-22-008.

6. RECOMENDED SOLDERING PROCESS BY WAVE SOLDER.

mat'l. code		surface ASME Y14.5 ✓		tolerance ASME Y14.5		projection		product family	
ltr		ecn no		dr		date		TERMINAL BLOCK	
A		T10-0099		WL		070110		title	
B		T10-0161		WL		101210		TERMINAL BLOCK	
C		T11-0013		WL		040811		PLUGGABLE SIGNAL, SOCKET 45° ANGLE	
								scale	
								dr WENDY CHEN 062310	
								enrg JASON HSU 062310	
								chr GARY HSIEH 062310	
								appd JOSEPH HSIA 062310	
sheet index		revision sheet		C 1		C 2		C 3	
				C 4		C 5			
								FCI	
								dwg no 20020130	
								sheet 1 of 5 size A4	
								type CUSTOMER Drawing	

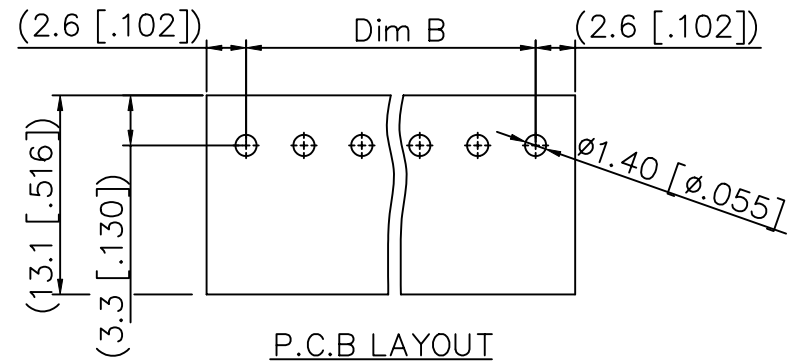
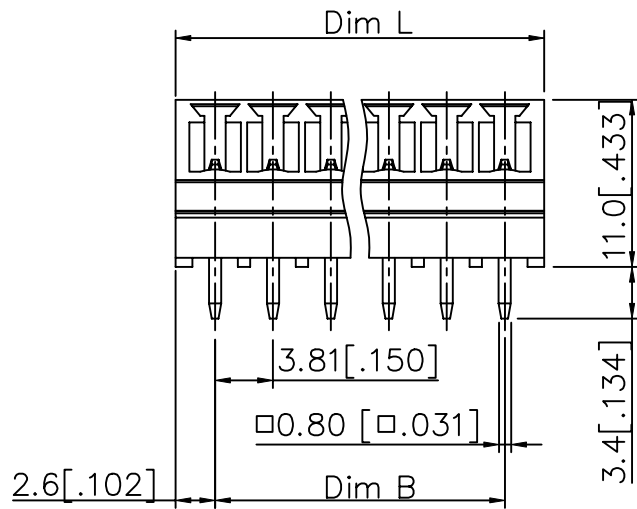
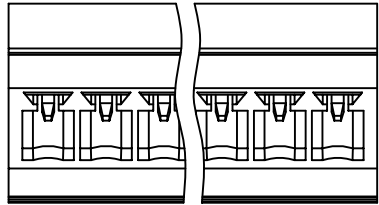
PRODUCT NUMBER	SERIES NAME	PITCH
20020130-CXXXXXXLF	30-350	3.50 mm



POLE	<del>1</del>		2	3	4	5	6	7	8
DIM.L	<del>1</del>		8.4[.331]	11.9[.468]	15.4[.606]	18.9[.744]	22.4[.881]	25.9[1.019]	29.4[1.157]
DIM.B	<del>1</del>		3.50[.138]	7.00[.276]	10.50[.413]	14.00[.551]	17.50[.689]	21.00[.827]	24.50[.965]
Tol.	±0.10[.004]			±0.15[.006]			±0.20[.008]		
POLE	9	10	11	12	13	14	15	16	
DIM.L	32.9[1.295]	36.4[1.433]	39.9[1.571]	43.4[1.708]	46.9[1.846]	50.4[1.984]	53.9[2.122]	57.4[2.259]	
DIM.B	28.00[1.102]	31.50[1.240]	35.00[1.378]	38.50[1.516]	42.00[1.654]	45.5[1.791]	49.0[1.929]	52.50[2.067]	
Tol.	±0.20[.008]				±0.25[.010]				
POLE	17	18	19	20	21	22	23	24	
DIM.L	60.9[2.397]	64.4[2.535]	67.9[2.673]	71.4[2.811]	74.9[2.948]	78.4[3.086]	81.9[3.224]	85.4[3.362]	
DIM.B	56.00[2.205]	59.50[2.342]	63.00[2.480]	66.50[2.618]	70.00[2.756]	73.50[2.894]	77.00[3.031]	80.50[3.169]	
Tol.	±0.25[.010]			±0.30[.012]					

mat'l. code		surface ASME Y14.5	tolerance ASME Y14.5	projection 	product family TERMINAL BLOCK
ltr	ecn no	dr	date	tolerances unless otherwise specified	title
c				angles X±0.5	TERMINAL BLOCK PLUGGABLE SIGNAL, SOCKET 45° ANGLE
				line X.X±0.3	
				X°±1'	scale MM [INCH]
				dr WENDY CHEN 062310	dwg no sheet 2 of 5 size
				enr JASON HSU 062310	20020130 A4
				chr GARY HSIEH 062310	type CUSTOMER Drawing
				appd JOSEPH HSIA 062310	
sheet index	revision sheet				

PRODUCT NUMBER	SERIES NAME	PITCH
20020130-DXXXXXXLF	30-381	3.81 mm

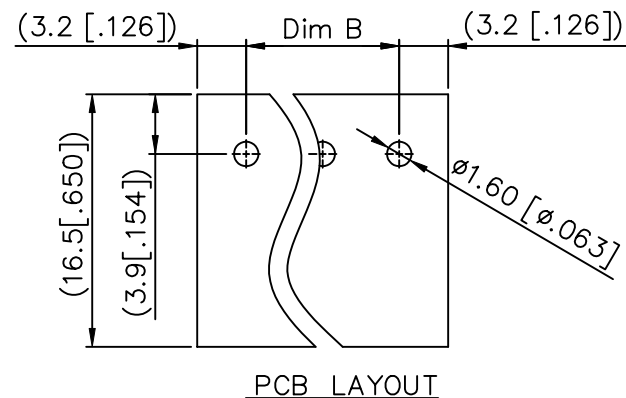
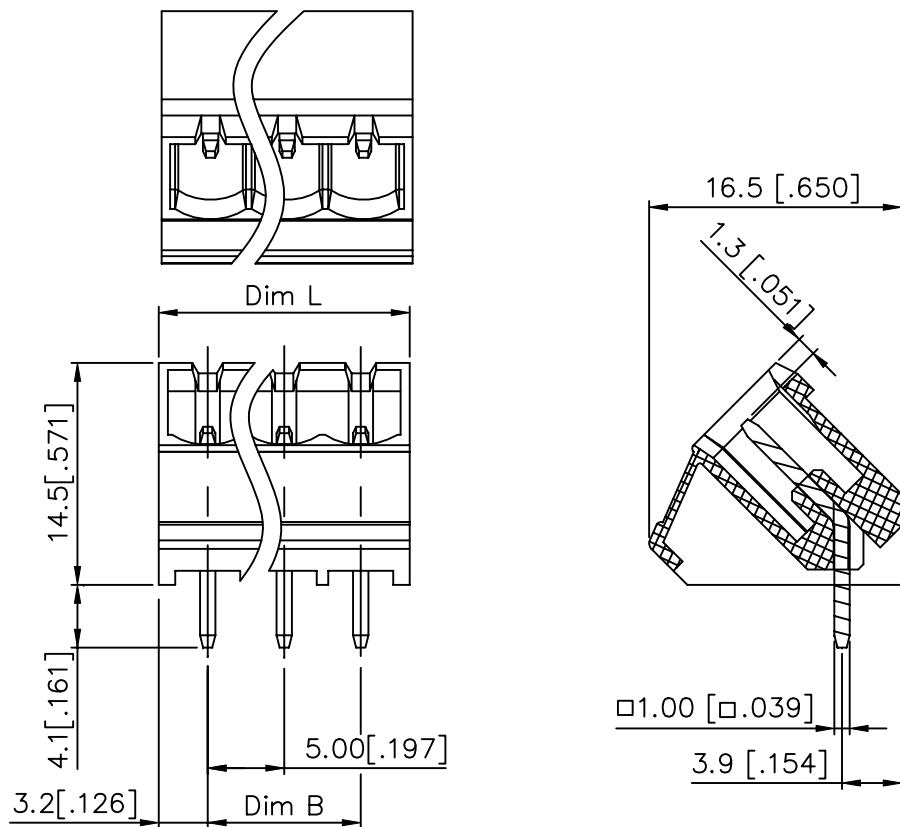


POLE		2	3	4	5	6	7	8
Dim.L		9.01[.300]	12.82[.450]	16.63[.600]	20.44[.750]	24.25[.900]	28.06[1.050]	31.87[1.200]
Dim.B		3.81[.150]	7.62[.300]	11.43[.450]	15.24[.600]	19.05[.750]	22.86[.900]	26.67[1.050]
Tol.		±0.10[.004]			±0.15[.006]			±0.20[.008]
POLE	9	10	11	12	13	14	15	16
Dim.L	35.68[1.350]	39.49[1.500]	43.3[1.650]	47.11[1.800]	50.92[1.950]	54.73[2.100]	58.54[2.250]	62.35[2.400]
Dim.B	30.48[1.200]	34.29[1.350]	38.10[1.500]	41.91[1.650]	45.72[1.800]	49.53[1.950]	53.34[2.100]	57.15[2.250]
Tol.	±0.20[.008]			±0.25[.010]				
POLE	17	18	19	20	21	22	23	24
Dim.L	66.16[2.550]	69.97[2.700]	73.78[2.850]	77.59[3.000]	81.4[3.150]	85.21[3.300]	89.02[3.450]	92.83[3.600]
Dim.B	60.96[2.400]	64.77[2.550]	68.58[2.700]	72.39[2.850]	76.20[3.000]	80.01[3.150]	83.82[3.300]	
Tol.	±0.25[.010]			±0.30[.012]				

mat'l. code		surface ASME Y14.5	tolerance ASME Y14.5	projection	product family TERMINAL BLOCK
ltr	ecn no	dr	date	tolerances unless otherwise specified	title
c				angles X±0.5 X.X±0.3 X°±1'	TERMINAL BLOCK PLUGGABLE SIGNAL, SOCKET 45° ANGLE
				scale	dwg no
					sheet 3 of 5 size
					20020130
					A4
					type
					CUSTOMER Drawing
sheet index	revision sheet				



PRODUCT NUMBER	SERIES NAME	PITCH
20020130-GXXXXXXLF	30-500	5.00 mm

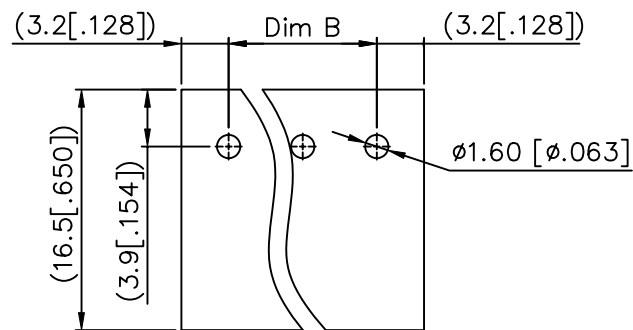
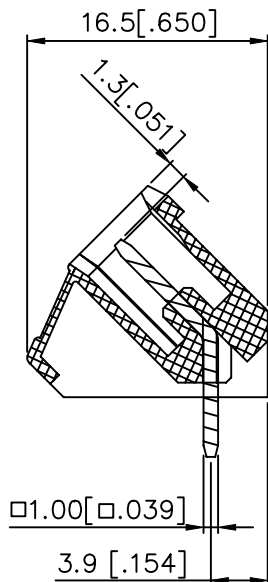
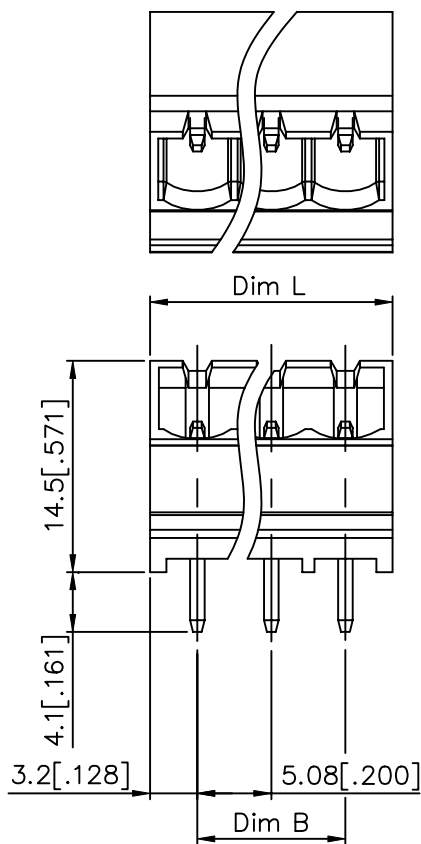


POLE	<del>1</del>	2	3	4	5	6	7	8
DIM.L	<del>11.4[.449]</del>	11.4[.449]	16.4[.645]	21.4[.842]	26.4[1.039]	31.4[1.236]	36.4[1.433]	41.4[1.630]
DIM.B	<del>5.0[.196]</del>	5.0[.196]	10.0[.394]	15.0[.590]	20.0[.787]	25.0[.984]	30.0[1.181]	35.0[1.377]
Tol.		±0.15[.006]						±0.25[.010]
POLE	9	10	11	12	13	14	15	16
DIM.L	46.4[1.827]	51.4[2.024]	56.4[2.220]	61.4[2.417]	66.4[2.614]	71.4[2.811]	76.4[3.008]	81.4[3.205]
DIM.B	40.0[1.574]	45.0[1.771]	50.0[1.968]	55.0[2.165]	60.0[2.362]	65.0[2.559]	70.0[2.755]	75.0[2.952]
Tol.	±0.25[.010]				±0.30[.012]			
POLE	17	18	19	20	21	22	23	24
DIM.L	86.4[3.402]	91.4[3.598]	96.4[3.795]	101.4[3.992]	106.4[4.189]	111.4[4.386]	116.4[4.583]	121.4[4.780]
DIM.B	80.0[3.149]	85.0[3.346]	90.0[3.543]	95.0[3.74]	100.0[3.937]	105.0[4.133]	110.0[4.330]	115.0[4.527]
Tol.	±0.30[.012]			±0.40[.016]				

mat'l. code		surface ASME Y14.5 ✓	tolerance ASME Y14.5	projection 	product family TERMINAL BLOCK
ltr	ecn no	dr	date	tolerances unless otherwise specified	title
c				angles X±0.5	TERMINAL BLOCK PLUGGABLE SIGNAL, SOCKET 45° ANGLE
				lines X.X±0.3	
				X*±1*	scale MM [INCH]
		dr	WENDY CHEN	062310	dwg no
		enr	JASON HSU	062310	sheet 4 of 5
		chr	GARY HSIEH	062310	20020130
		appd	JOSEPH HSIA	062310	A4
sheet index	revision sheet				type CUSTOMER Drawing



PRODUCT NUMBER	SERIES NAME	PITCH
20020130-HXXXXXLF	30-508	5.08 mm



PCB LAYOUT

A

POLE		2	3	4	5	6	7	8
DIM.L		11.56[.455]	16.64[.655]	21.72[.855]	26.8[1.055]	31.88[1.255]	36.96[1.455]	42.04[1.655]
DIM.B		5.08[.200]	10.16[.400]	15.24[.600]	20.32[.800]	25.4[1.000]	30.48[1.200]	35.56[1.400]
Tol.		±0.15[.006]						±0.25[.010]
POLE	9	10	11	12	13	14	15	16
DIM.L	47.12[1.855]	52.2[2.055]	57.28[2.255]	62.36[2.455]	67.44[2.655]	72.52[2.855]	77.6[3.055]	82.68[3.255]
DIM.B	40.64[1.600]	45.72[1.800]	50.8[2.000]	55.88[2.200]	60.96[2.400]	66.04[2.600]	71.12[2.800]	76.2[3.000]
Tol.	±0.25[.010]				±0.30[.012]			
POLE	17	18	19	20	21	22	23	24
DIM.L	87.76[3.455]	92.84[3.655]	97.92[3.855]	103.0[4.055]	108.08[4.255]	113.16[4.455]	118.24[4.655]	123.32[4.855]
DIM.B	81.28[3.200]	86.36[3.400]	91.44[3.600]	96.52[3.800]	101.6[4.000]	106.68[4.200]	111.76[4.400]	116.84[4.600]
Tol.	±0.30[.012]				±0.40[.016]			

mat'l. code		surface ASME Y14.5 ✓	tolerance ASME Y14.5	projection 	product family TERMINAL BLOCK
ltr	ecn no	dr	date	tolerances unless otherwise specified	title
c				angles X±1°	TERMINAL BLOCK PLUGGABLE SIGNAL, SOCKET 45° ANGLE
				tolerance X.X±0.5 X.X±0.3 X.XX±0.1	MM [INCH]
				scale	scale
		dr	WENDY CHEN	062310	dwg no
		enr	JASON HSU	062310	sheet 5 of 5
		chr	GARY HSIEH	062310	20020130
		appd	JOSEPH HSIA	062310	A4
sheet index	revision sheet				type CUSTOMER Drawing

B