

LED Holder for 3 mm and 5 mm LED



Approvals and Compliances

Description

- PCB Mounting
- Up to 8 holders possible
- Arrangement in-line and in blocks
- For 3 mm or 5 mm LED's

Weblinks

[html-datasheet](#), [CAD-Drawings](#), [Detailed request for product](#)

Technical Data

Climatical Data

| | |
|-----------------------|---------------|
| Operating Temperature | -25 to 85 °C |
| Storage Temperature | -55 to 100 °C |

Soldering Data

| | |
|------------------------------|--|
| Solderability | 235 °C / 2 sec acc. to IEC 60068-2-20 , Test Ta, method 1 |
| Resistance to Soldering Heat | 260 °C / 5 sec acc. to IEC 60068-2-20 , Test Tb, method 1A |

Material




| | |
|--------|---------------|
| Socket | Thermoplastic |
|--------|---------------|

Approvals and Compliances

Detailed information on product approvals, code requirements, usage instructions and detailed test conditions can be looked up in [Details about Approvals](#)

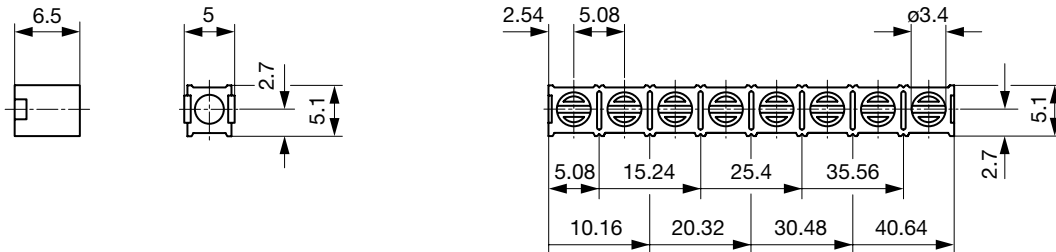
Compliances

The product complies with following Guide Lines

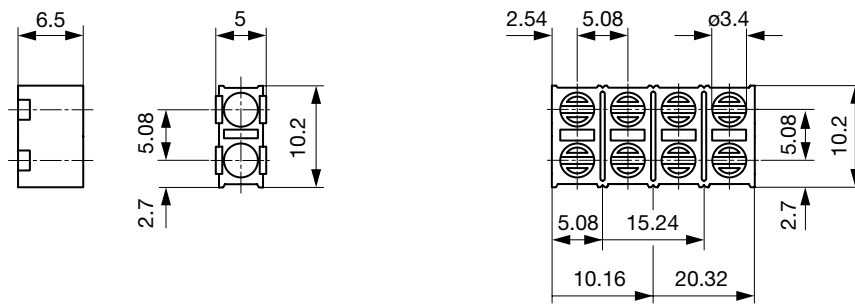
| Identification | Details | Initiator | Description |
|---|----------------------------|-------------|---|
|  | RoHS | SCHURTER AG | EU Directive RoHS 2011/65/EU |
|  | China RoHS | SCHURTER AG | The law SJ / T 11363-2006 (China RoHS) has been in force since 1 March 2007. It is similar to the EU directive RoHS. |
|  | REACH | SCHURTER AG | On 1 June 2007, Regulation (EC) No 1907/2006 on the Registration, Evaluation, Authorization and Restriction of Chemicals 1 (abbreviated as "REACH") entered into force. |

Dimension [mm]

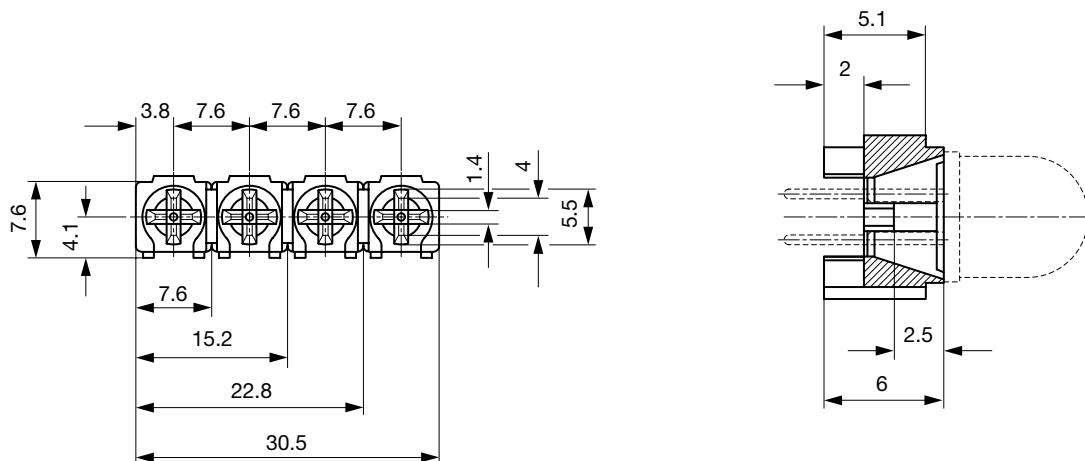
AST single 3 mm / AST row 3 mm



AST double 3 mm / AST double row 3 mm



AST row 5 mm



gerade Anschlüsse
 straight contacts



0035.9665.



0035.9666.



0035.9667.



0035.9668.

Anschlüsse abgewinkelt
 contacts angled 90°



0035.9675.



0035.9676.



0035.9677.



0035.9678.

Farbe der LED
 Colour of LED

Die Farbwahl erfolgt jeweils
 von unten nach oben.
 (Von links nach rechts)

The colour is advised from
 the bottom to the top.
 (From the left to the right)

| | | | | | |
|-----------|---------------|---|---|---|---|
| rot/rot | red/red | 1 | 1 | 1 | 1 |
| rot/grün | red/green | 2 | 2 | 2 | 2 |
| rot/gelb | red/yellow | 3 | 3 | 3 | 3 |
| grün/grün | green/green | 4 | 4 | 4 | 4 |
| grün/rot | green/red | 5 | 5 | 5 | 5 |
| grün/gelb | green/yellow | 6 | 6 | 6 | 6 |
| gelb/gelb | yellow/yellow | 7 | 7 | 7 | 7 |
| gelb/rot | yellow/red | 8 | 8 | 8 | 8 |
| gelb/grün | yellow/green | 9 | 9 | 9 | 9 |

All Variants

| Diameter LED | Type | Order Number |
|--------------|-----------|--------------|
| 5 mm | 1x4 Array | 0035.9203 |
| 5 mm | 1x3 Array | 0035.9204 |
| 5 mm | 1x2 Array | 0035.9205 |
| 5 mm | 1x1 Array | 0035.9206 |
| 3 mm | 1x1 Array | 0035.9610 |
| 3 mm | 1x2 Array | 0035.9611 |
| 3 mm | 1x3 Array | 0035.9612 |
| 3 mm | 1x4 Array | 0035.9613 |
| 3 mm | 1x5 Array | 0035.9614 |
| 3 mm | 1x7 Array | 0035.9616 |
| 3 mm | 1x8 Array | 0035.9617 |
| 3 mm | 2x1 Array | 0035.9660 |
| 3 mm | 2x2 Array | 0035.9661 |
| 3 mm | 2x3 Array | 0035.9662 |
| 3 mm | 2x4 Array | 0035.9663 |

 Most Popular.

Availability for all products can be searched real-time: <https://www.schurter.com/en/Stock-Check/Stock-Check-SCHURTER>

Packaging unit 100 pcs