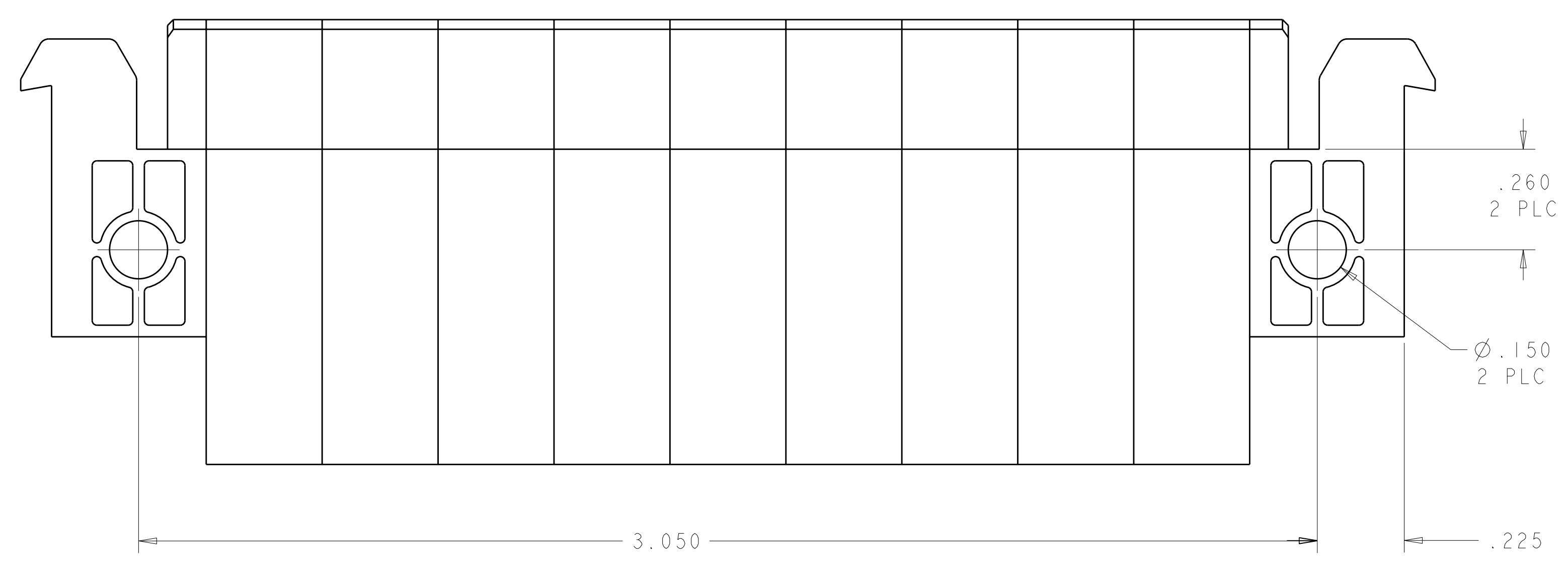
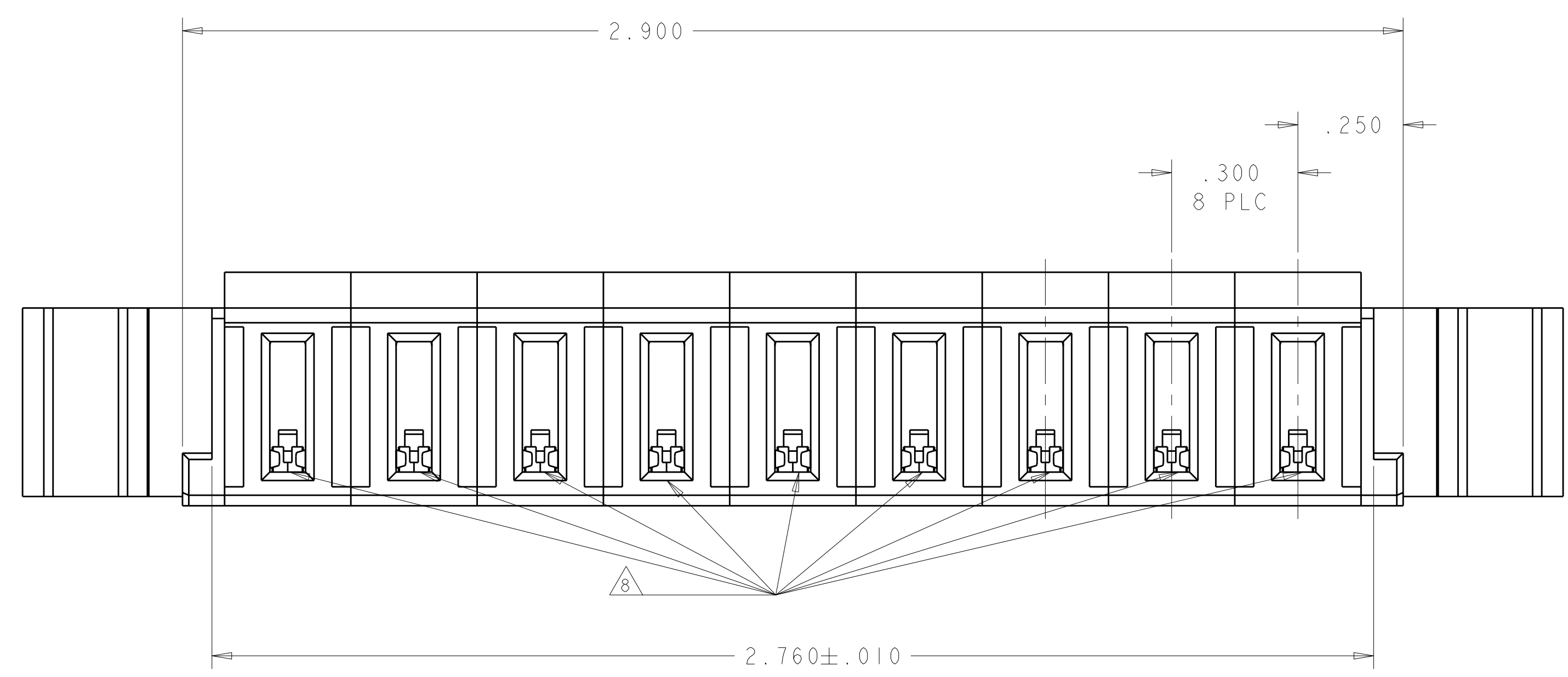
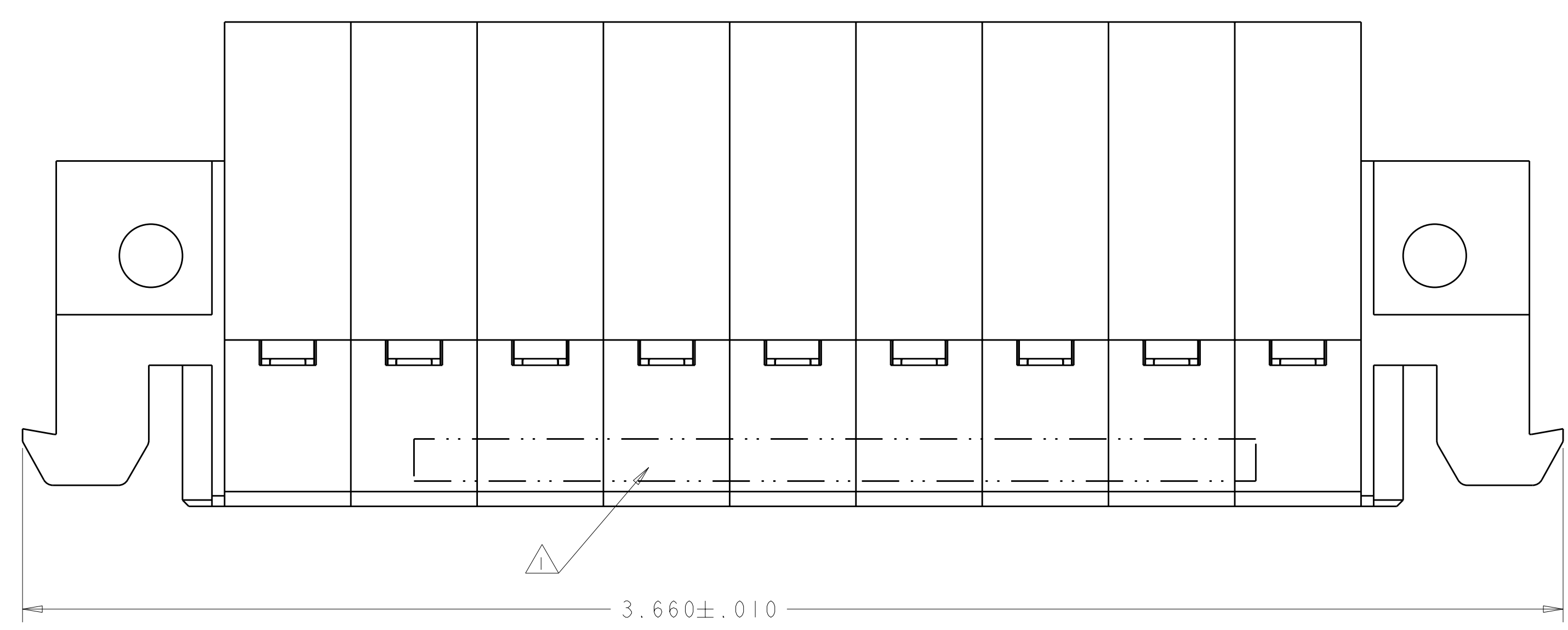
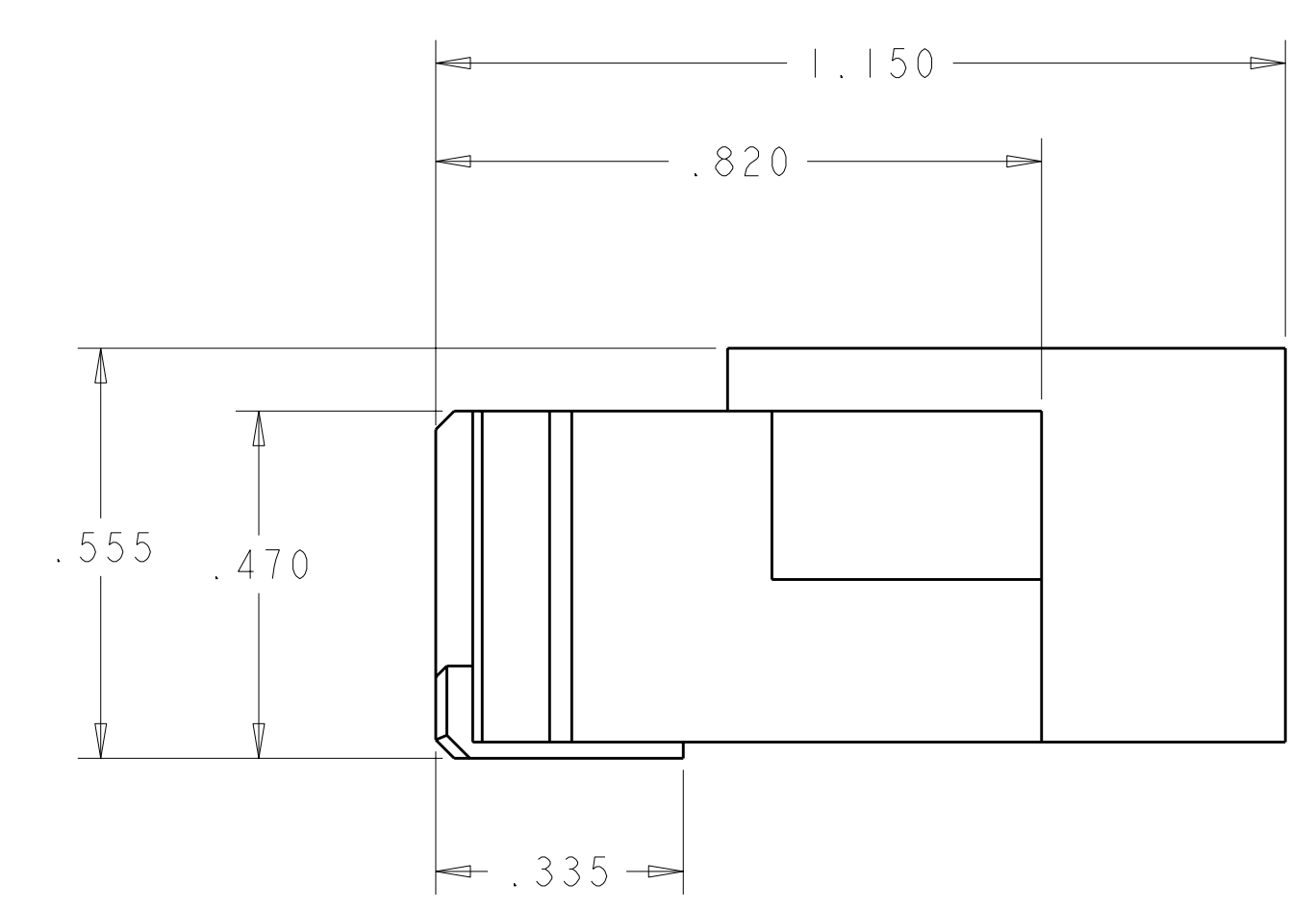


LOC	DIST	REVISIONS			
REV	DATE	DESCRIPTION	DATE	DWN	APVD
ES	00	A	REV PER ECR-06-029799	21DEC2006	CZ SY

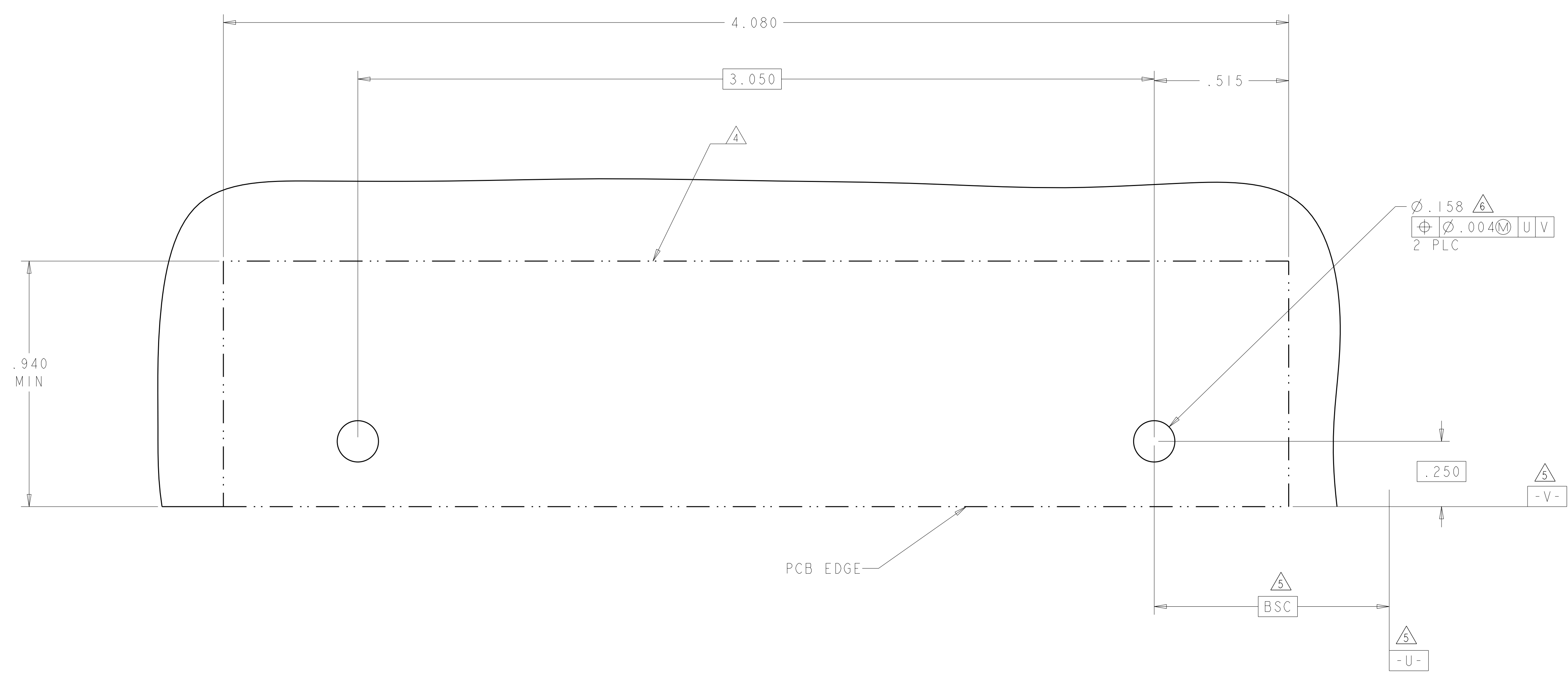
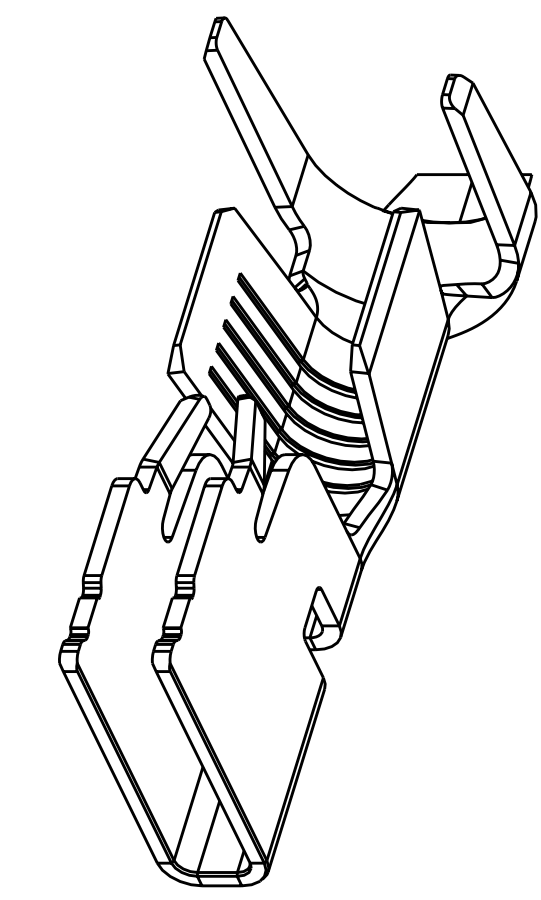
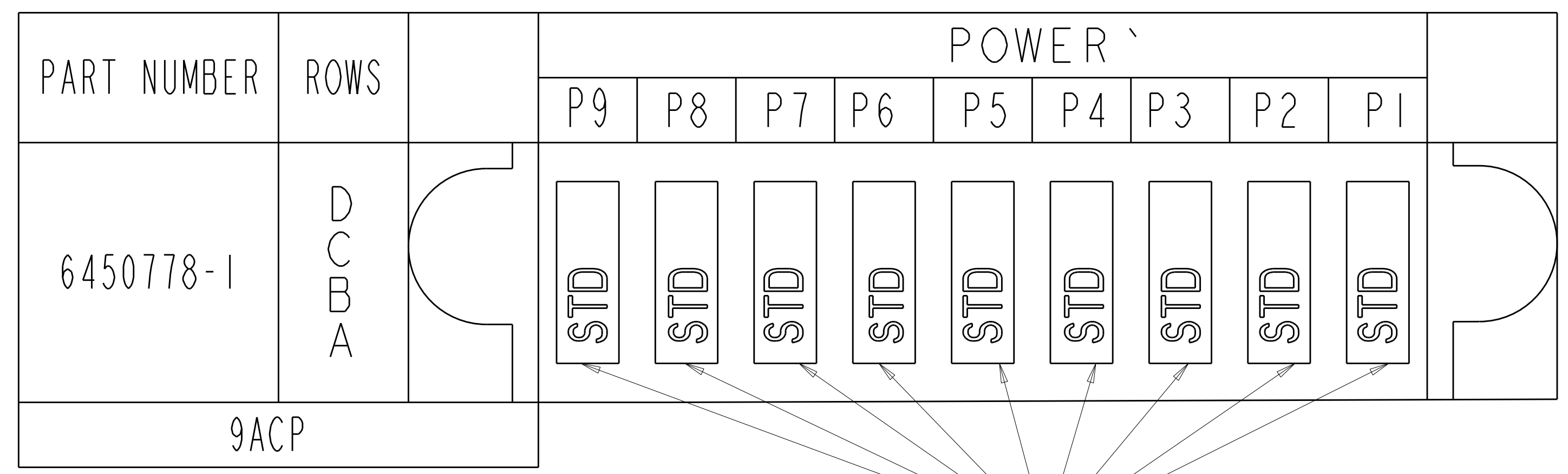


- △ "AMP", PART NUMBER AND DATE CODE TO BE MARKED
- △ MATERIAL: HOUSING - GLASS FILLED HIGH TEMP THERMO PLASTIC, UL94 V-0.
 SIGNAL CONTACT - HIGH CONDUCTIVITY COPPER ALLOY
 POWER CONTACT - HIGH CONDUCTIVITY COPPER ALLOY
- △ CONTACT PLATING: SIGNAL CONTACTS - .000050 MIN Ni UNDER ALL.
 .000030 MIN Au ON CONTACT AREA. .000100 MIN Sn AT PCB INTERFACE.
 POWER CONTACTS - .000050 MIN Ni UNDER ALL.
 .000030 MIN Au ON CONTACT AREA. .000100 MIN Sn AT PCB INTERFACE.
- △ MECHANICAL CONNECTOR KEEP OUT ZONE.
- △ DATUM AND BASIC DIMENSIONS ESTABLISHED BY CUSTOMER.
- △ PCB - ALL HOLE DIAMETERS ARE FINISHED HOLE SIZES
- △ PCB - .0453 ± .0010 DRILLED HOLES PLATED WITH .0003 MIN Sn OVER .001 TO .003 Cu PLATING TO ACHIEVE A .040 DIAMETER HOLE
- △ A/C POWER CABLE CONTACT LOADED IN THESE CAVITIES.



9ACP		6450778-1					
DESCRIPTION		PART NUMBER					
<table border="1"> <tr> <td> DIMENSIONS: INCHES 9 PLC ±. 2 PLC ±.01 5 PLC ±.005 4 PLC ±.0020 ANGLES #2 FINISH 2 3 </td> <td> TOLERANCES UNLESS OTHERWISE SPECIFIED: 9 PLC ±. 2 PLC ±.01 5 PLC ±.005 4 PLC ±.0020 ANGLES #2 FINISH 2 3 </td> <td> DWN CECILY.ZHOU 21NOV2006 CHK S.ZHAO 21NOV2006 APVD S.YAO PRODUCT SPEC 108-1973 APPLICATION SPEC 114-13038 WEIGHT CUSTOMER DRAWING </td> <td> Tyco Electronics incorporated Shanghai, P.R.China, 200233 NAME RIGHT ANGLE RECEPTACLE ASSEMBLY A/C PASS THRU W/LATCH RECEIVERS MULTI-BEAM XL SIZE CAGE CODE DRAWING NO A11 00779 C=6450778 RESTRICTED TO SCALE 4:1 SHEET 1 OF 2 REV A </td> </tr> </table>				DIMENSIONS: INCHES 9 PLC ±. 2 PLC ±.01 5 PLC ±.005 4 PLC ±.0020 ANGLES #2 FINISH 2 3	TOLERANCES UNLESS OTHERWISE SPECIFIED: 9 PLC ±. 2 PLC ±.01 5 PLC ±.005 4 PLC ±.0020 ANGLES #2 FINISH 2 3	DWN CECILY.ZHOU 21NOV2006 CHK S.ZHAO 21NOV2006 APVD S.YAO PRODUCT SPEC 108-1973 APPLICATION SPEC 114-13038 WEIGHT CUSTOMER DRAWING	Tyco Electronics incorporated Shanghai, P.R.China, 200233 NAME RIGHT ANGLE RECEPTACLE ASSEMBLY A/C PASS THRU W/LATCH RECEIVERS MULTI-BEAM XL SIZE CAGE CODE DRAWING NO A11 00779 C=6450778 RESTRICTED TO SCALE 4:1 SHEET 1 OF 2 REV A
DIMENSIONS: INCHES 9 PLC ±. 2 PLC ±.01 5 PLC ±.005 4 PLC ±.0020 ANGLES #2 FINISH 2 3	TOLERANCES UNLESS OTHERWISE SPECIFIED: 9 PLC ±. 2 PLC ±.01 5 PLC ±.005 4 PLC ±.0020 ANGLES #2 FINISH 2 3	DWN CECILY.ZHOU 21NOV2006 CHK S.ZHAO 21NOV2006 APVD S.YAO PRODUCT SPEC 108-1973 APPLICATION SPEC 114-13038 WEIGHT CUSTOMER DRAWING	Tyco Electronics incorporated Shanghai, P.R.China, 200233 NAME RIGHT ANGLE RECEPTACLE ASSEMBLY A/C PASS THRU W/LATCH RECEIVERS MULTI-BEAM XL SIZE CAGE CODE DRAWING NO A11 00779 C=6450778 RESTRICTED TO SCALE 4:1 SHEET 1 OF 2 REV A				

LOC	DIST	REVISIONS					
ES	00	P	LTR	DESCRIPTION	DATE	DWN	APVD
		-	-	SEE SHEET 1	-	-	-



<small>THIS DRAWING IS UNPUBLISHED. RELEASED FOR PUBLICATION. THIS IS SUBJECT TO CHANGE WITHOUT NOTICE AND WITHOUT OBLIGATION. SHOULD BE CONTACTED FOR THE LATEST REVISION.</small>		DWN: CECILY.ZHOU 21NOV2006 CHK: S.ZHAO 21NOV2006 APVD: S.YAO	tyco Electronics Tyco Electronics Incorporated Shanghai, P.R.China, 200233
DIMENSIONS: INCHES 	TOLERANCES UNLESS OTHERWISE SPECIFIED: 9 PLC ± 2 PLC ±.01 5 PLC ±.005 4 PLC ±.0020 ANGLES #2	NAME: RIGHT ANGLE RECEPTACLE ASSEMBLY PRODUCT SPEC: 108-1973 APPLICATION SPEC: 114-13038 WEIGHT: -	SIZE: A1 CAGE CODE: 00779 DRAWING NO: C=6450778 RESTRICTED TO: -
MATERIAL: -	FINISH: -	CUSTOMER DRAWING	SCALE: 4:1 SHEET 2 OF 2 REV A