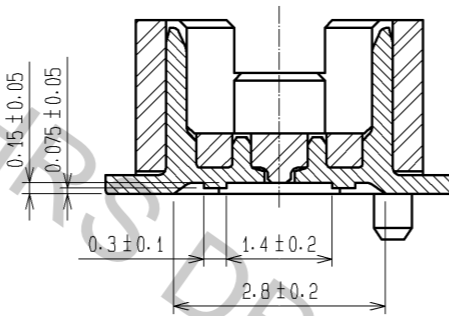
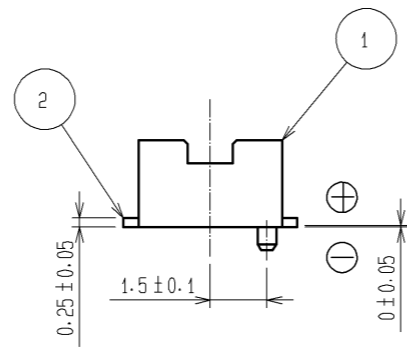
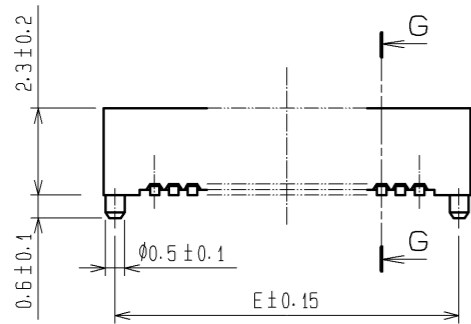


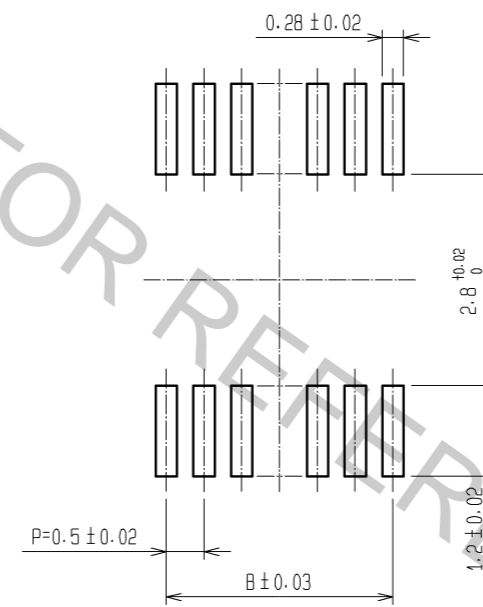
G-G (10:1)



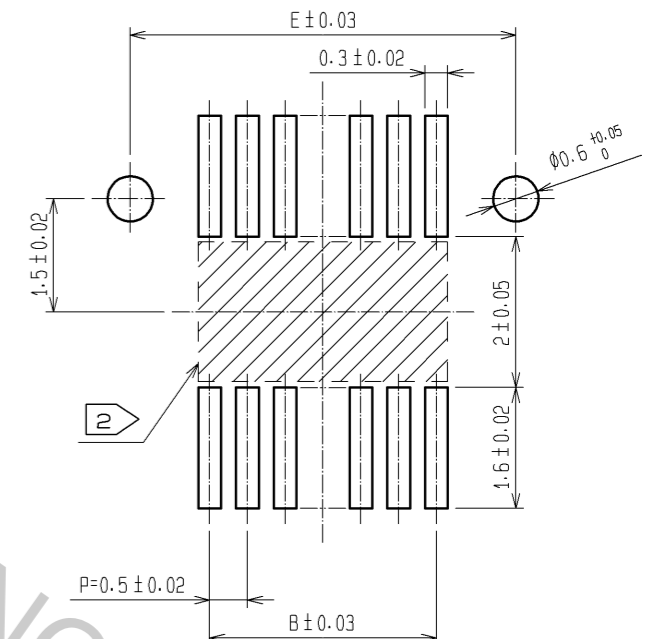
| CODE No. | CONTACT | A | B | C | D | E | F |
|-----------------|---------|------|------|------|------|------|------|
| CL537-0791-5-81 | 10 | 4.7 | 2.0 | 2.8 | 3.2 | 4.1 | 2.8 |
| CL537-0920-6-81 | 14 | 5.7 | 3.0 | 3.8 | 4.2 | 5.1 | 3.8 |
| CL537-0793-0-81 | 20 | 7.2 | 4.5 | 5.3 | 5.7 | 6.6 | 5.3 |
| CL537-0795-6-81 | 30 | 9.7 | 7.0 | 7.8 | 8.2 | 9.1 | 7.8 |
| CL537-0802-0-81 | 32 | 10.2 | 7.5 | 8.3 | 8.7 | 9.6 | 8.3 |
| CL537-0796-9-81 | 36 | 11.2 | 8.5 | 9.3 | 9.7 | 10.6 | 9.3 |
| CL537-0797-1-81 | 40 | 12.2 | 9.5 | 10.3 | 10.7 | 11.6 | 10.3 |
| CL537-0799-7-81 | 50 | 14.7 | 12.0 | 12.8 | 13.2 | 14.1 | 12.8 |
| CL537-0801-7-81 | 60 | 17.2 | 14.5 | 15.3 | 15.7 | 16.6 | 15.3 |
| CL537-0803-2-81 | 80 | 22.2 | 19.5 | 20.3 | 20.7 | 21.6 | 20.3 |



RECOMMEND METAL MASK PATTERN (10:1)

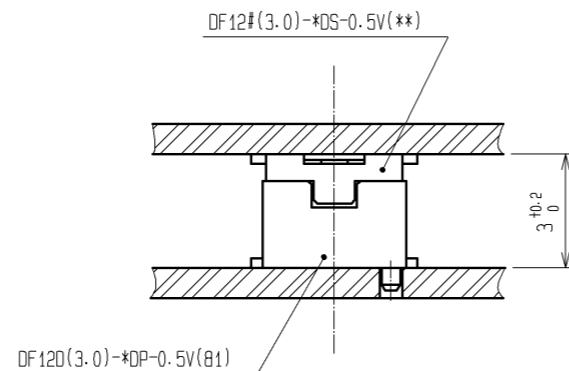
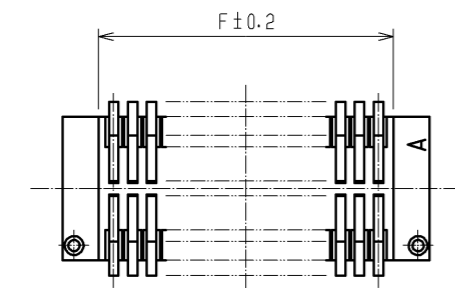


RECOMMENDED LAND PATTERN (10:1)



RECOMMENDED THICKNESS OF METAL MASK : 120 #m

RECOMMENDED THICKNESS OF SOLDER PASTE : 120 #m



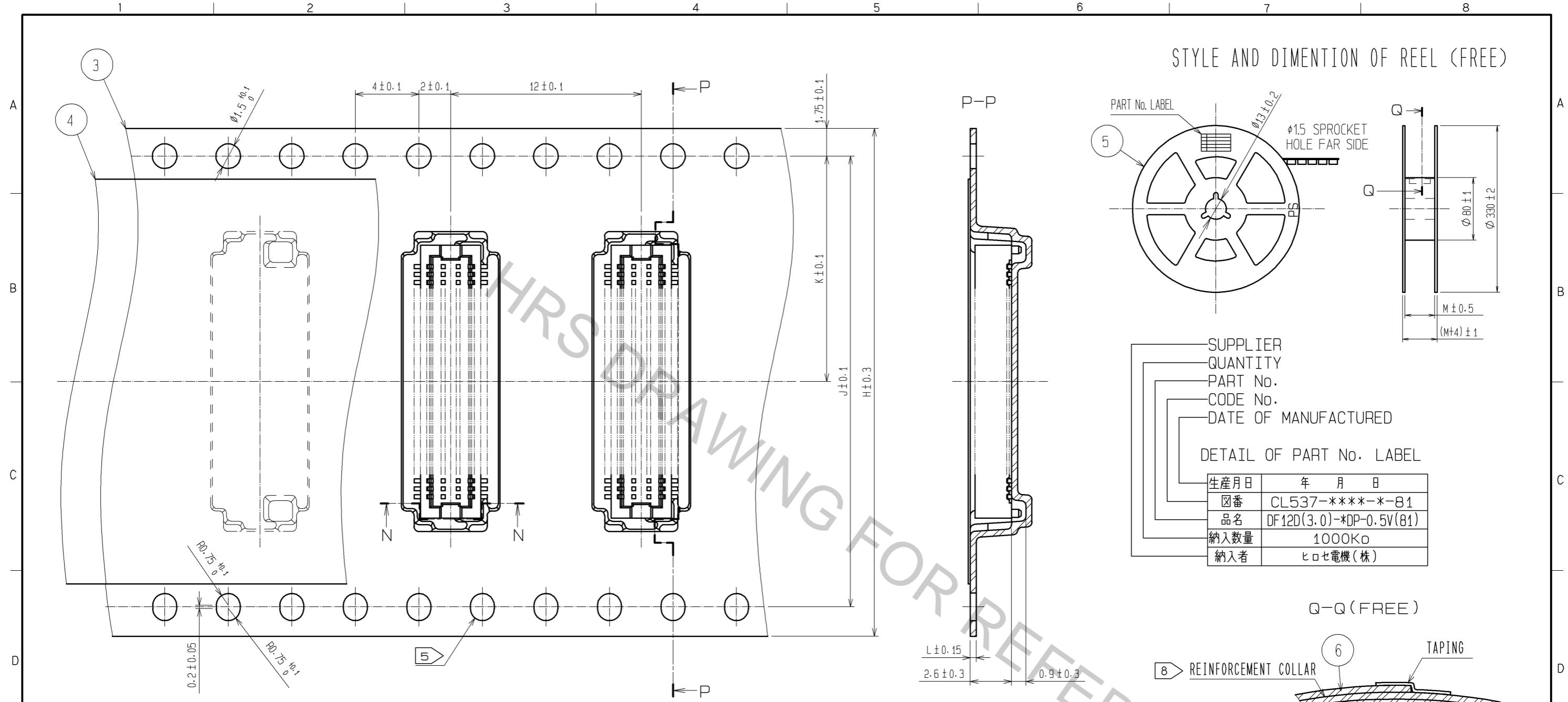
NOTES 1 LEAD CO-PLANARITY SHALL BE 0.08 mm MAX.
 2 IF THERE IS PATTERN ON PART, THERE IS A POSSIBILITY THAT IT WILL MAKE CONTACT WITH THE LEADS.

| NO. | MATERIAL | FINISH | REMARKS | NO. | MATERIAL | FINISH | REMARKS |
|-----|-----------------|--------|---|-----|-----------|--------|-------------------------------|
| 2 | PHOSPHOR BRONZE | | CONTACT AREA:GOLD PLATED 0.2#m min | 6 | PS | | CLEAR (REINFORCEMENT COLLAR) |
| | | | LEAD AREA:GOLD PLATED 0.015#m min | 5 | PS | | BLACK (PLASTIC REEL) |
| | | | OTHERS(UNDER PLATING):NICKEL PLATED 2#m min | 4 | POLYESTER | | CLEAR (COVER TAPE) |
| 1 | POLYAMIDE | | UL94V-0, NATURAL (BEIGE) | 3 | PS | | CLEAR (EMBOSSED CARRIER TAPE) |

| UNITS | SCALE | COUNT | DESCRIPTION OF REVISIONS | DESIGNED | CHECKED | DATE |
|-------|-------|-------|--------------------------|----------|---------|------|
| mm | 5:1 | △ | | | | |

| | | | |
|-------------------------|----------|-------------|-------------------------|
| APPROVED : KH. IKEDA | 13.08.19 | DRAWING NO. | EDC3-163508-77 |
| CHECED : YH. MICHIDA | 13.08.08 | PART NO. | DF12D(3.0)-*DP-0.5V(81) |
| DESIGNED : YN. SAKAMOTO | 13.08.08 | CODE NO. | CL537 |
| DRAWN : KR. AJITO | 13.08.08 | | |

STYLE AND DIMENTION OF REEL (FREE)

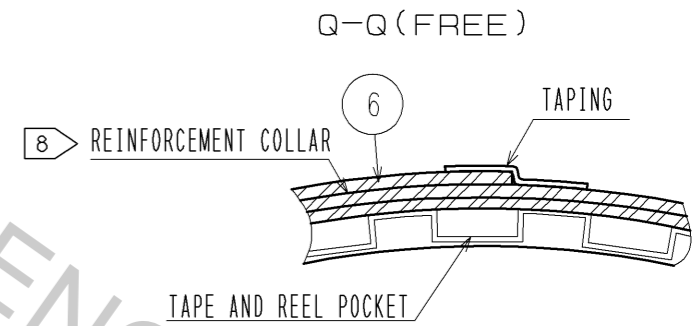


DIRECTION OF UNREELING →

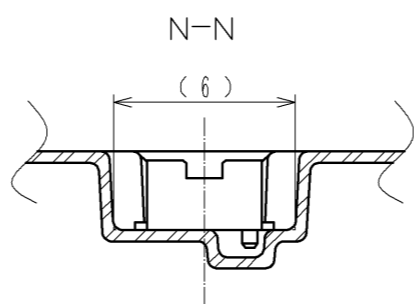
SUPPLIER
QUANTITY
PART No.
CODE No.
DATE OF MANUFACTURED

DETAIL OF PART No. LABEL

| | |
|------|-------------------------|
| 生産月日 | 年 月 日 |
| 図番 | CL537-****-*-81 |
| 品名 | DF12D(3.0)-*DP-0.5V(81) |
| 納入数量 | 1000K ϕ |
| 納入者 | ヒロセ電機(株) |



| CODE No. | CONTACT | H | J | K | L | M |
|-----------------|---------|----|------|------|------|------|
| CL537-0791-5-81 | 10 | 16 | - | 7.5 | 0.30 | 17.5 |
| CL537-0920-6-81 | 14 | 16 | - | 7.5 | 0.30 | 17.5 |
| CL537-0793-0-81 | 20 | 16 | - | 7.5 | 0.38 | 17.5 |
| CL537-0795-6-81 | 30 | 24 | - | 11.5 | 0.38 | 25.5 |
| CL537-0802-0-81 | 32 | 24 | - | 11.5 | 0.30 | 25.5 |
| CL537-0796-9-81 | 36 | 24 | - | 11.5 | 0.38 | 25.5 |
| CL537-0797-1-81 | 40 | 24 | - | 11.5 | 0.38 | 25.5 |
| CL537-0799-7-81 | 50 | 24 | - | 11.5 | 0.38 | 25.5 |
| CL537-0801-7-81 | 60 | 32 | 28.4 | 14.2 | 0.38 | 33.5 |
| CL537-0803-2-81 | 80 | 44 | 40.4 | 20.2 | 0.38 | 45.5 |



- NOTES 3 1 REEL 1000 CONNECTORS.
 4 AT THE BEGINNING OF THE REEL, 30 COMPONENTS SHALL BE EMPTY.
 AT THE END OF THE REEL, 20 COMPONENTS SHALL BE EMPTY.
 5 WHEN THE TAPE WIDTH IS 32 mm OR 44mm, SPROCKET HOLES SHALL BE SET ON BOTH SIDE OF REEL AS SHOWN ON THIS DRAWING.
 6 PEEL FORCE REFERS TO JIS C 0806. (IEC 60286-3)
 7 THE REEL IS PACKED WITH A POLYETHYLENE MATERIAL, TOGETHER WITH A DRYING AGENT.
 8 AFTER PACKING, ROLL 2 METERS OF THE REINFORCEMENT COLLAR TO OUTER CIRCUMFERENCE OF TAPE AND REEL POCKET, AND TAPE DOWN AT THE END THE COLLAR.

| | | |
|------------|-------------|-------------------------|
| HRS | DRAWING NO. | EDC3-163508-77 |
| | PART NO. | DF12D(3.0)-*DP-0.5V(81) |
| | CODE NO. | CL537 |
| | | △ 2/2 |