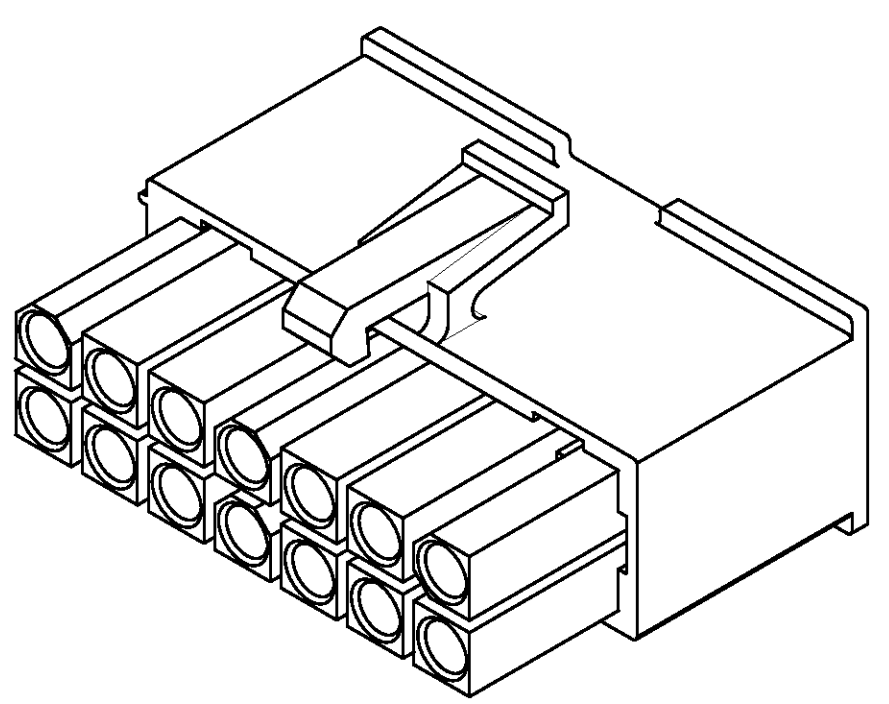
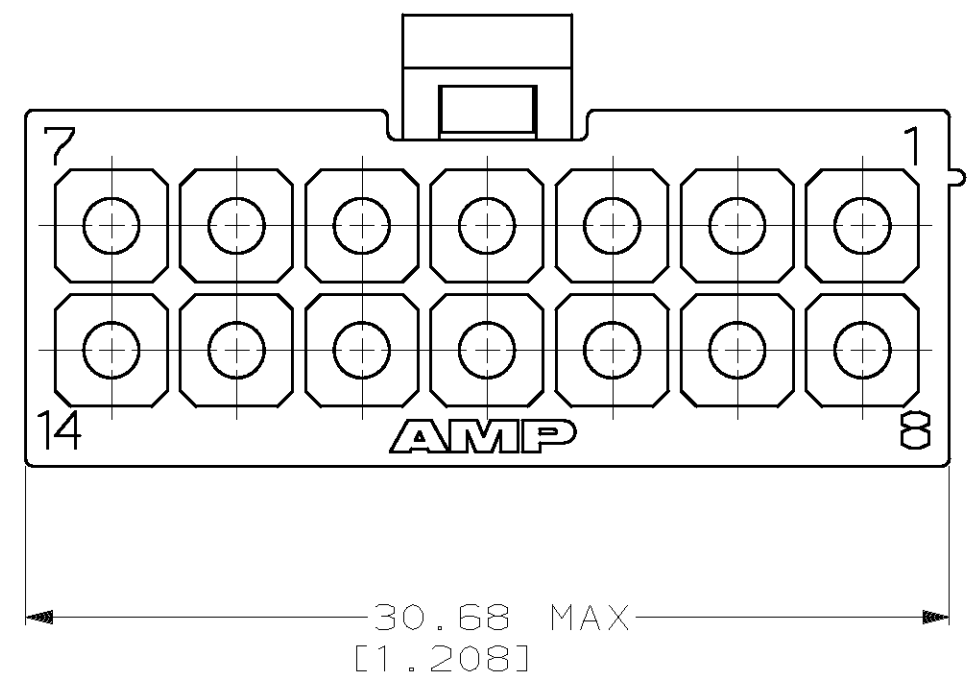
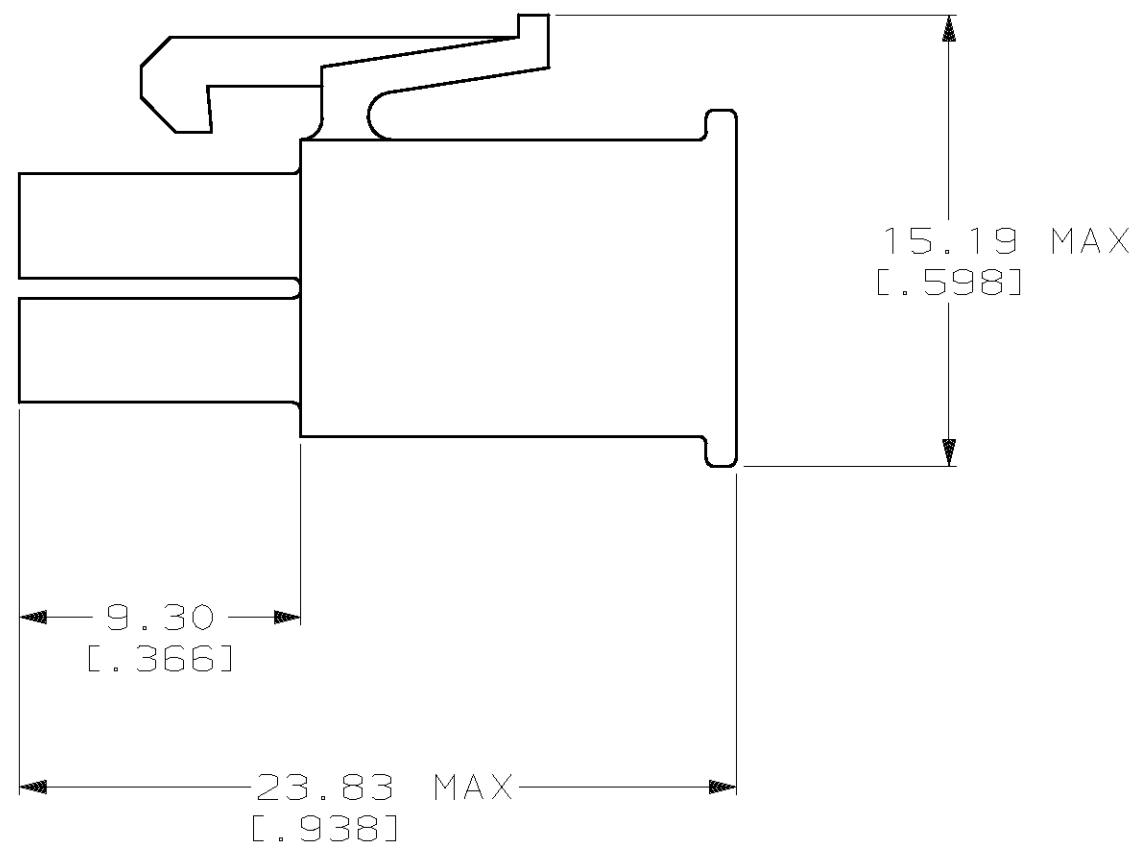
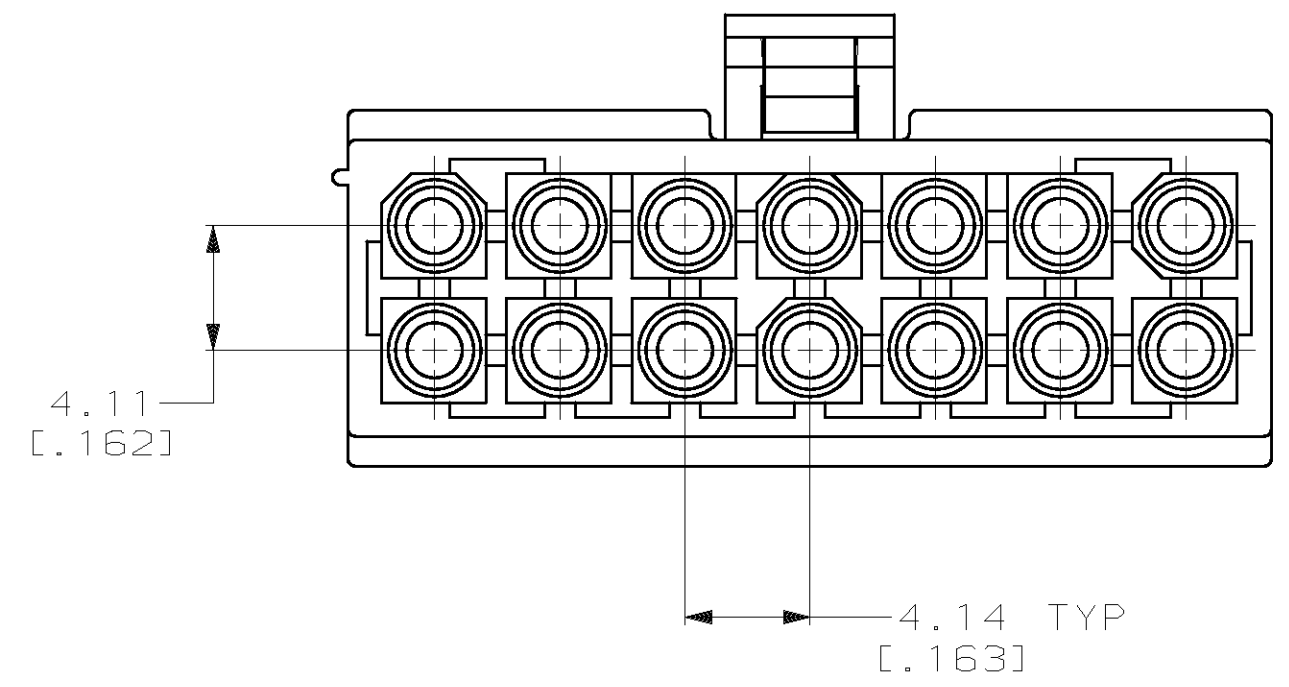


THIS DRAWING IS UNPUBLISHED. RELEASED FOR PUBLICATION, 19 .  
 © COPYRIGHT 19 BY AMP INCORPORATED. ALL INTERNATIONAL RIGHTS RESERVED.

LOC	DIST	P	F	ZONE	LTR	DESCRIPTION	DATE	APPD
CM	53					0 RLSD PER PR CM 97-64	5-12-97	BL RS

1. DIMENSIONS IN BRACKETS ARE IN INCHES.



3-DIMENSIONAL MODEL NTS

**METRIC**

DO NOT SCALE PRINT. UNLESS SPECIFIED DIMENSIONS IN mm [INCHES] TOLERANCES ON : 2 PLC DEC ± - 3 PLC DEC ± 0.13 [.005] ANGLES ± -		DR B. LEWIS 5-12-97	AMP INCORPORATED Harrisburg, Pa. 17105	
MATERIAL NYLON, UL 94V-0 BLACK	CHK R. SWING 5-12-97	APPD R. ORSTAD 5-12-97		
FINISH -	APPD R. ORSTAD 5-12-97	PRODUCT SPEC -	NAME PLUG, 14 CIRCUIT, MINI UNIVERSAL MATE-N-LOK™	
WEIGHT -	APPLICATION SPEC -	SCALE 4:1	SIZE C	CAGE CODE 00779
			DRAWING NO 794379	SHEET 1 OF 1

794379-1

PART NO

CUSTOMER DRAWING

794379