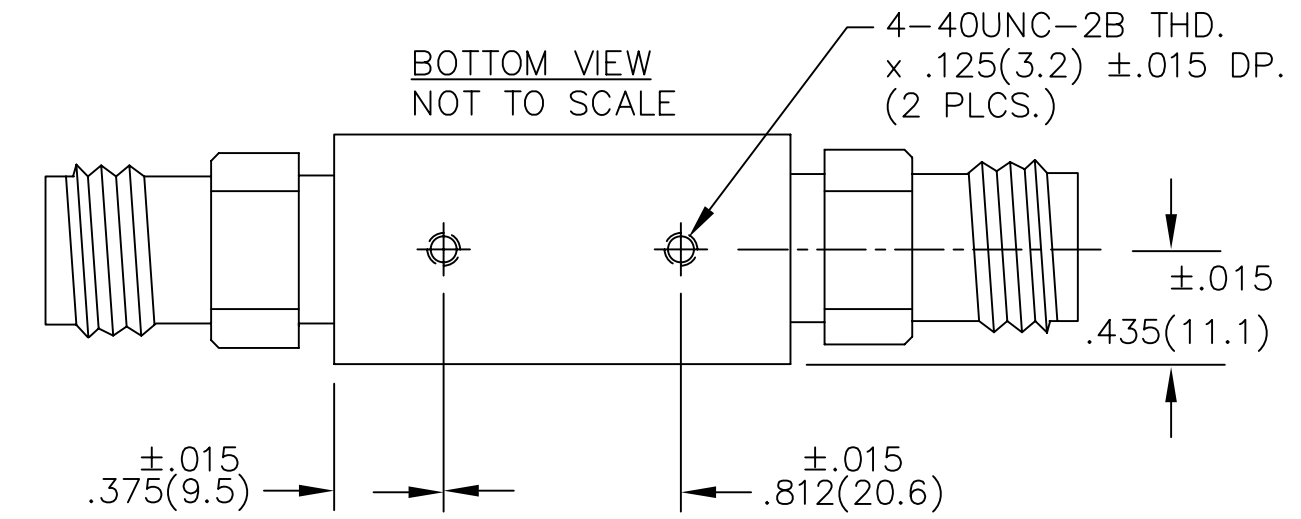
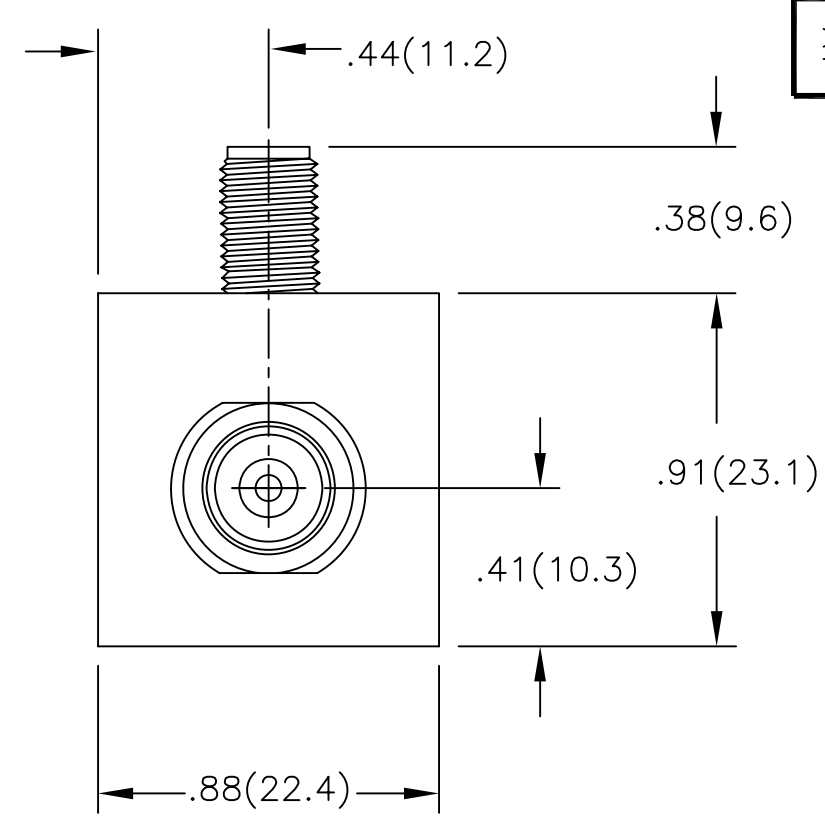
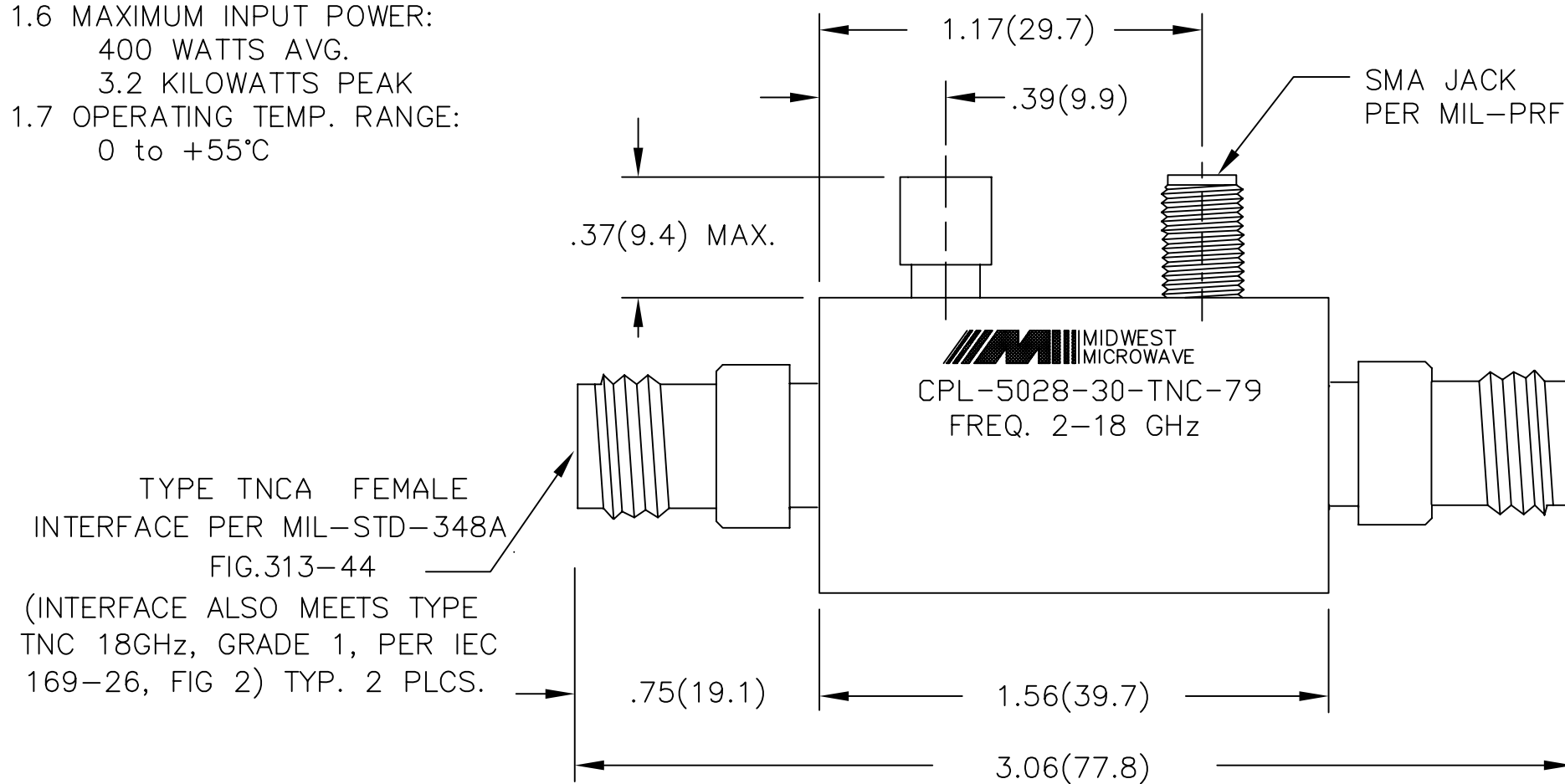
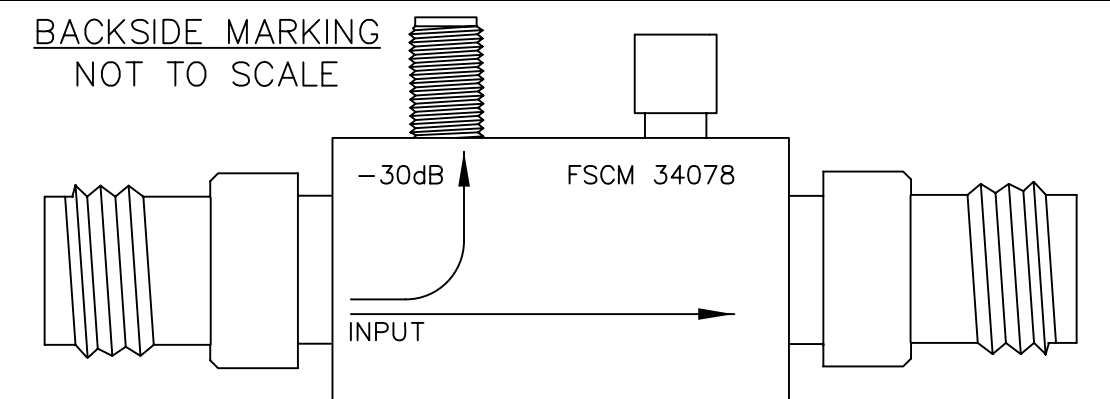


MODEL NUMBER
CPL-5028-30-TNC-79
REV.
A1

- NOTES:
- 1.0 ELECTRICAL SPECIFICATIONS:
 - 1.1 FREQUENCY RANGE: 2 to 18 GHz
 - 1.2 INSERTION LOSS: 0.6dB MAX.
 - 1.3 COUPLING:
 - 2 to 4 GHz: 30 ±5.0dB
 - 4 to 18 GHz: 30 ±2.0dB
 - 1.4 DIRECTIVITY: 10dB MIN.
 - 1.5 VSWR: 1.50:1 MAX.
 - 1.6 MAXIMUM INPUT POWER:
 - 400 WATTS AVG.
 - 3.2 KILOWATTS PEAK
 - 1.7 OPERATING TEMP. RANGE: 0 to +55°C

- 2.0 FINISHING:
 - 2.1 GREY PER MIL-E-15090 TYPE II, CLASS 2
OVER MIL-C-5541 CLASS 3A
MEETS MIL-F-14072
MEETS MIL-E-5400
 - 2.2 MARK UNIT AS SHOWN
(REF: SLK-01794-82-19)
- 3.0 DIMENSIONS IN PARENTHESIS ARE IN MILLIMETERS.



UNLESS OTHERWISE NOTED DIMENSIONS ARE IN INCHES AND TOLERANCES ARE:

3 PLACE DECIMALS ±.005
2 PLACE DECIMALS ±.02
FRACTIONS ±1/64
PARALLELITY: T.I.R. _____
FLATNESS: T.I.R. _____
CONCENTRICITY: T.I.R. _____
ANGLES AND PERPENDICULARITY: ±1°

FSCM NO. 34078		MIDWEST MICROWAVE	
NOTICE: The information contained in this drawing is proprietary and must not be used without the permission of Midwest Microwave		TITLE DIRECTIONAL COUPLER	
DRAWN/DATE D.GORTON 12/29/98	ENG./DATE P.GOODMAN 2/22/99	DRAWING NUMBER CPL-5028-30-TNC-79	
CHECKED/DATE	APPROVED/DATE	SCALE: 2=1	SHEET 1 of 1

DATE	12/29/98	2/19/99	4/13/05
DESCRIPTION	RELEASED	ECN 16988	ADDED TITLEBLOCK
REV.	-	A	A1