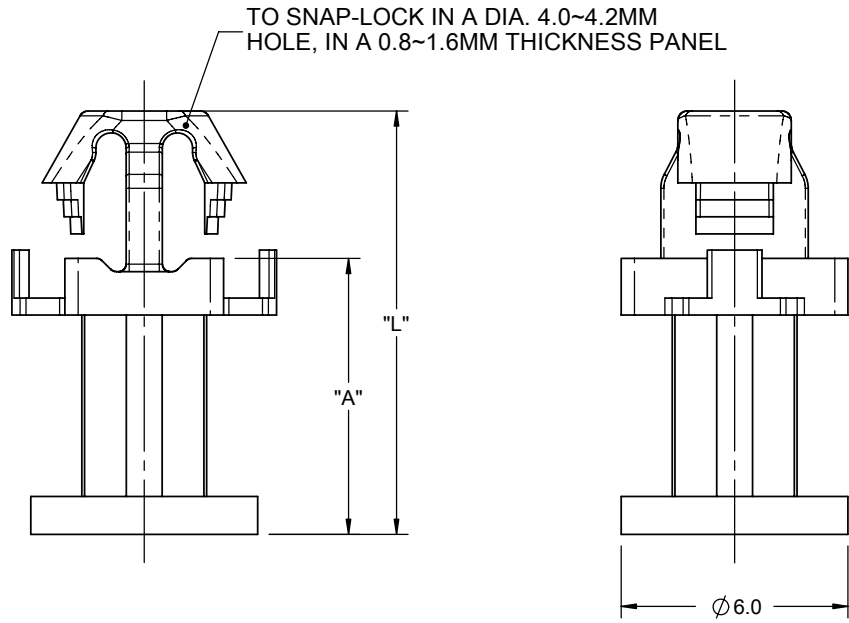


MATERIAL: NYLON 66 UL94 V-2 (RMS-01) COLOR: NATRUAL PART NO.	MATERIAL: NYLON 66 UL94 V-0 (RMS-19) COLOR: NATURAL PART NO.	"A"	"L"
PSE-3M-01	PSE-3M-19	3.0	6.9
PSE-4M-01	PSE-4M-19	4.0	7.9
PSE-5M-01	PSE-5M-19	5.0	8.9
PSE-6M-01	PSE-6M-19	6.0	9.9
PSE-7M-01	PSE-7M-19	7.0	10.9
PSE-7.3M-01	PSE-7.3M-19	7.3	11.2
PSE-8M-01	PSE-8M-19	8.0	11.9



DIMENSIONS	TOLERANCE
DIM ≤ 6.0	±0.2
6.0 < DIM ≤ 18.0	±0.3
18 < DIM ≤ 30	±0.4
30 < DIM ≤ 50	±0.5
50 < DIM ≤ 80	±0.6
80 < DIM ≤ 120	±0.8
DIM > 120	TBD

01	SEE CO220111 FOR CHANGES	J.T 07.06.12
A-B	SEE VERSION A-B	J.T 07.06.12
R E V	DESCRIPTION	ENGR. DATE

TITLE: CARD SPACER				
<small>CREATED USING SOLIDWORKS</small>	FILE #: PSE	DWN: J.T	APP: J.T	FINAL
<small>TOLERANCES UNLESS NOTED</small>	SHEET: 1 OF 1	SHEET SIZE: A	DT: 07.06.12	CHKD: A.F
<small>DIM ±: SEE TABLE ANG. = ±1°</small>	RE: RICHCO	RICHCO WWW.RICHCO-INC.COM (+86) 592-6884500		PART # SEE TABLE
				PRINT TYPE CA