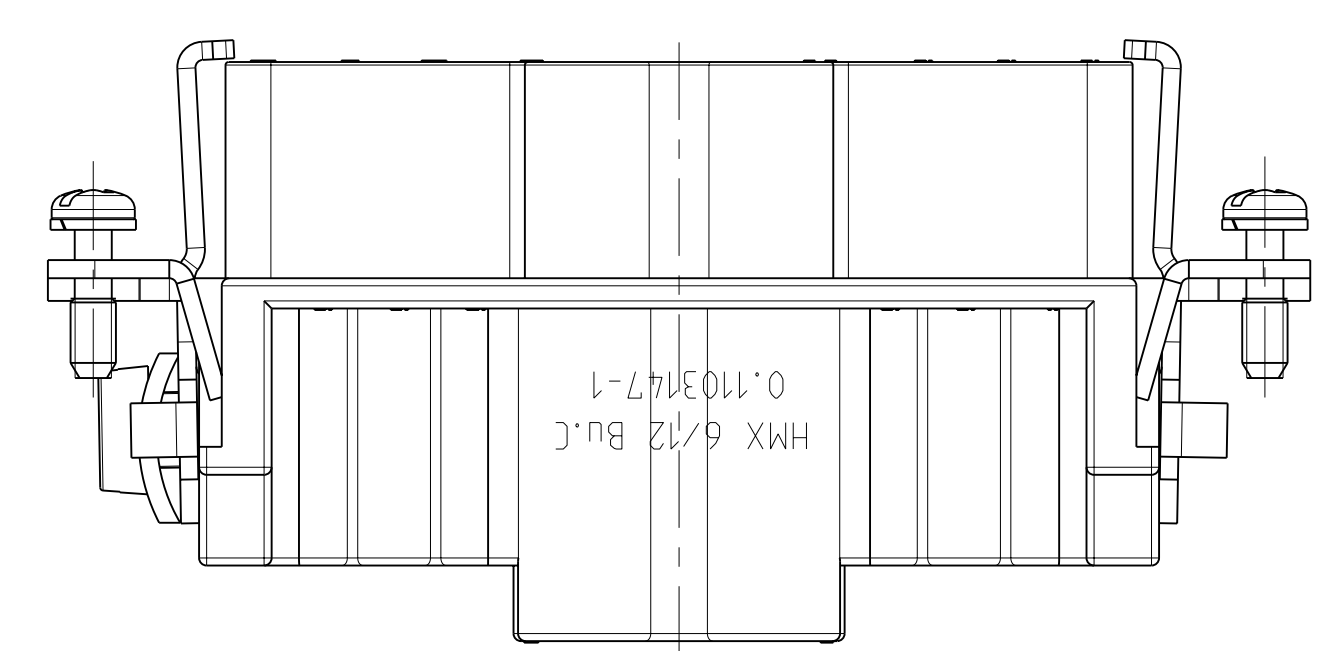
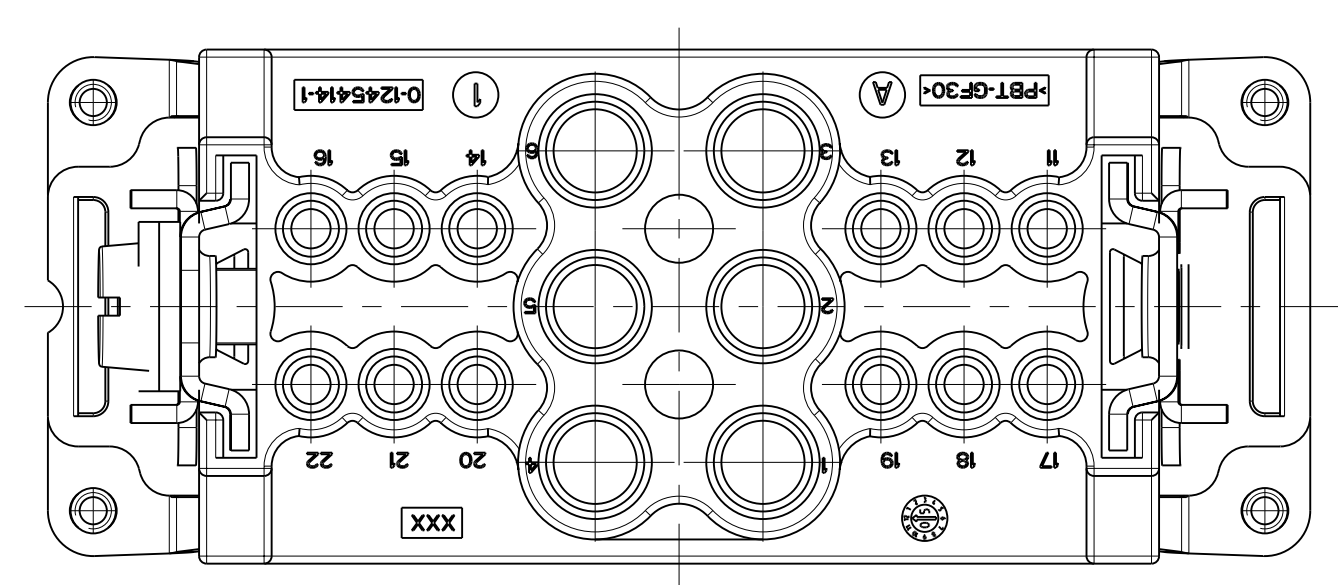
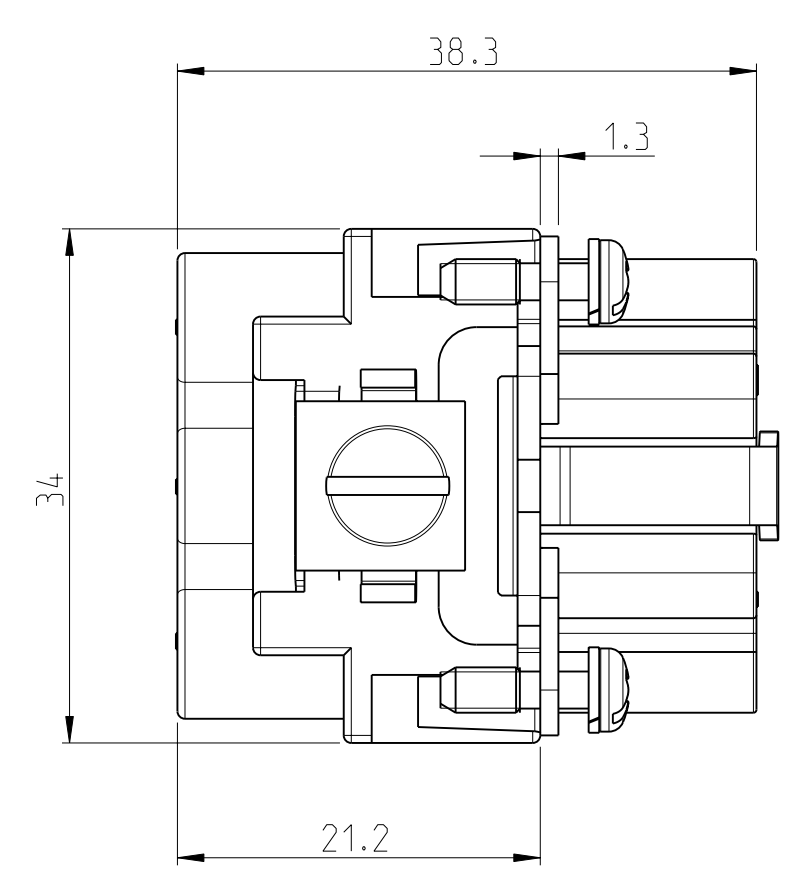
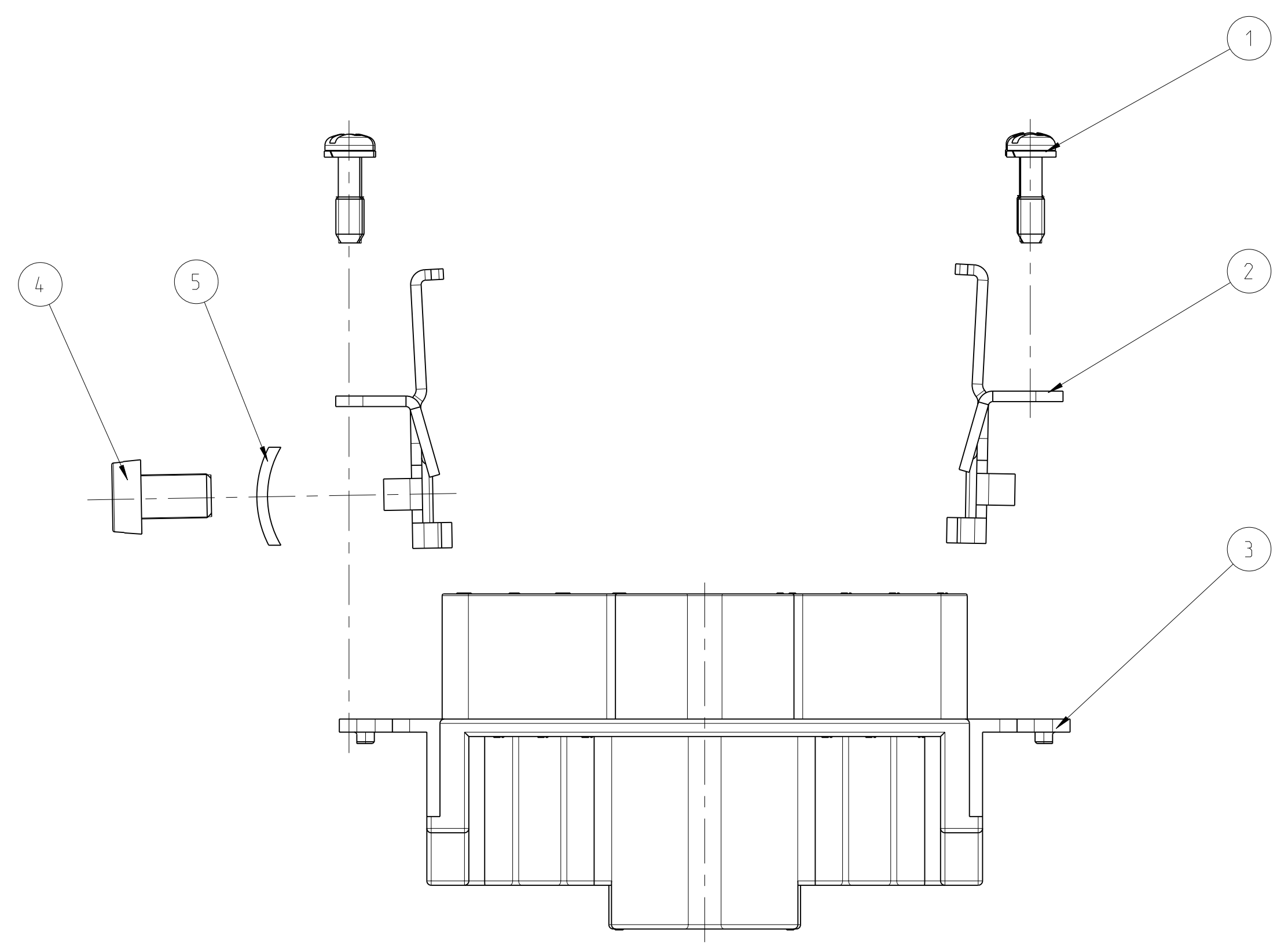
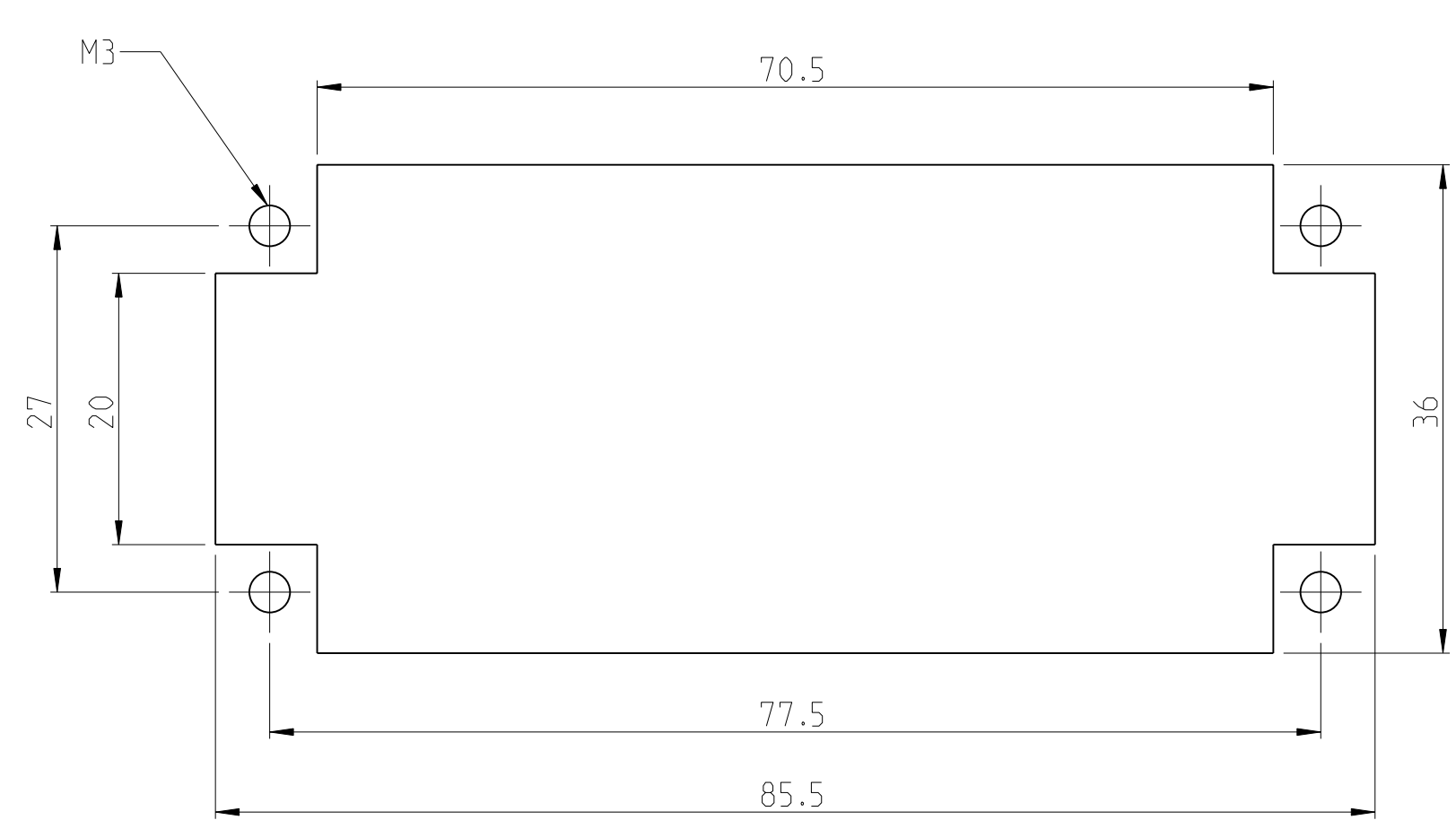
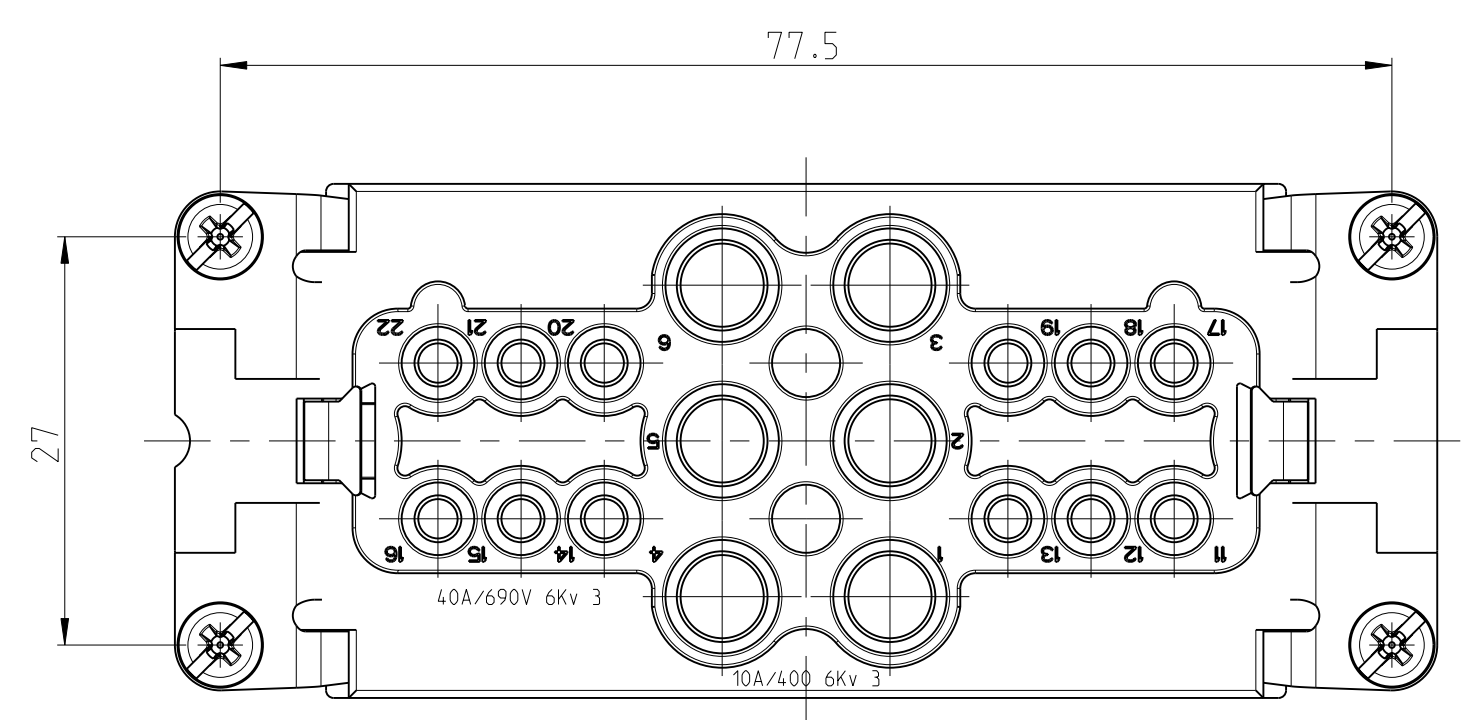


LOC	DIST	REV	DATE	BY	APPD
A1	-	C1	02FEB2010	SR	EM

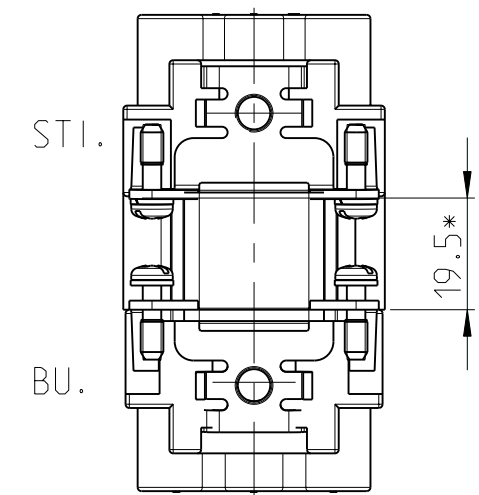
CONTACT ARRANGEMENT VIEW FROM TERMINATION SIDE



CONTACT ARRANGEMENT VIEW FROM CONNECTING SIDE

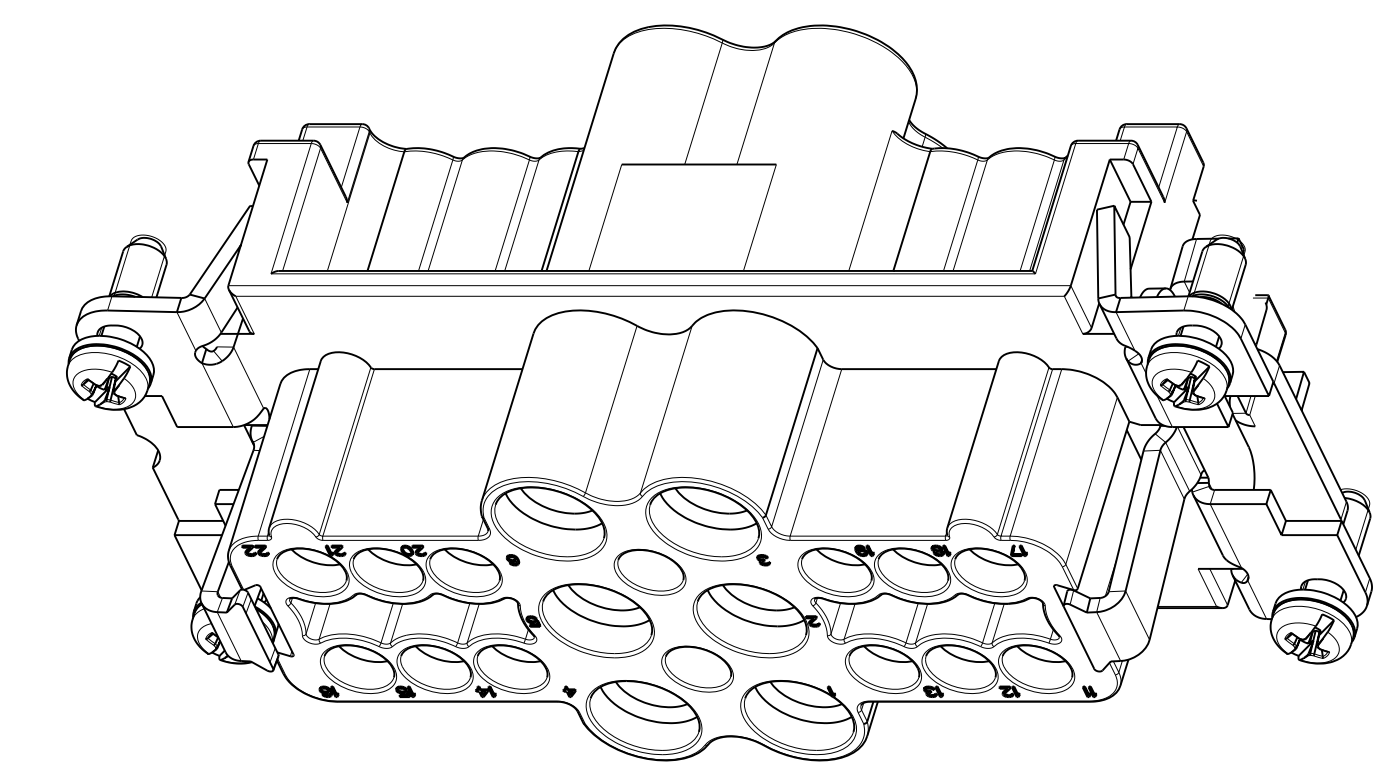


DISTANCE FOR QUARANTEED CONTACT: 21mm MAX.



NOTES

- POVER CONTACT : 1 TO 6
 OUTER DIMENSIONS OF INSULATION: MAX. 6.5MM
 SIGNAL CONTACT: 11 TO 22
 OUTER DIMENSIONS OF INSULATION: MAX. 3.2MM
- SUITABLE HOOD SIZE 6
 SERIES HB, HD, EMV, AND HIP
- STANDARDS:
 DIN EN 61984; DIN EN 60664-1
- PACKAGING:
 5 PIECES IN A CARTON BOX



QTY	DESCRIPTION	MATERIAL	SURFACE	ITEM
1	CLIP TAB	STEEL	NICKEL PLATED	5
1	CYLINDER SCREW . M5	STEEL	NICKEL PLATED	4
1	SOCKET HOUSING	VALOX 420SE0	VDI 3400-24	3
2	GRINDING CONTACT-SOCKET	Cu Zn37 F38	Cu/Ni 5b	2
4	FIXING SCREW ASSY	St.8.8	Ni	1
0-1	ORDERING TEXT: HMX.6/12BU.C			

THIS DRAWING IS A CONTROLLED DOCUMENT. DWG: R.SCHNEIDER 02FEB2010
 CHK: T.SCHNURPELL 02FEB2010
 APVD: T.SCHNURPELL

STE TE Connectivity

PRODUCT NAME: SOCKET ASSY HMX 6/12 BU.C

SIZE: A1 CAGE CODE: 00779 DRAWING NO: C=1103147

CUSTOMER DRAW ING SCALE: 2:1 SHEET: 1 OF 1 REV: C1