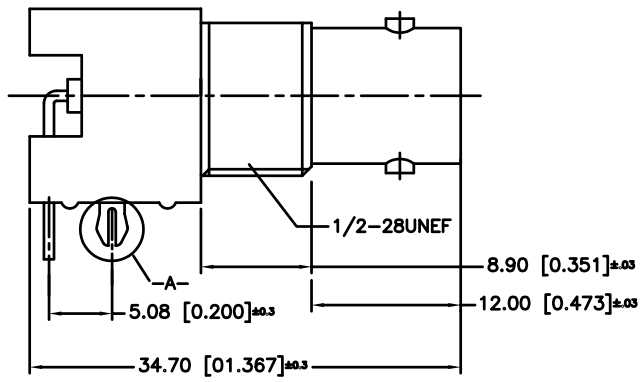
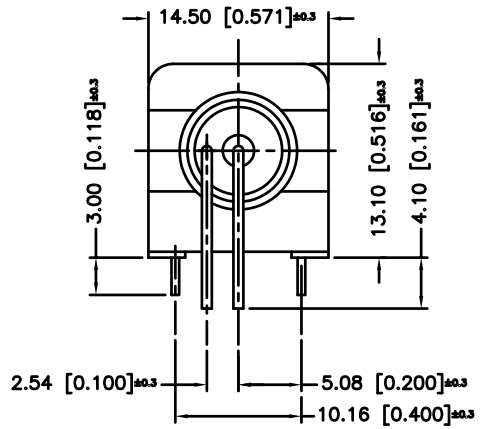
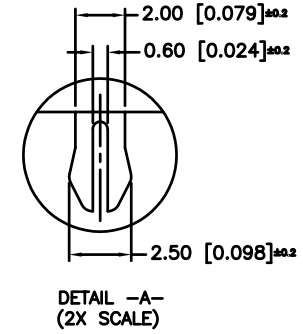
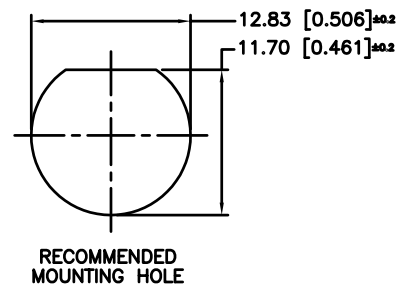
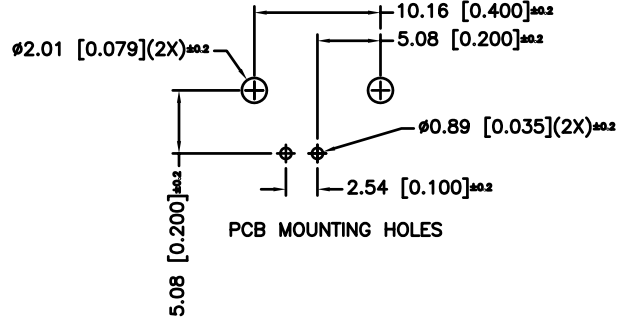


REV.	DATE	ECR.NO	DESCRIPTION
A	02/12/04	---	UPDATE DRAWING FORMAT/ MODIFY BODY
B	07/28/06	---	REVISE BODY HEIGHT TO 13.10
C	06/28/07	---	REVISE BACK HOUSING SHOWING BACK CONTACT PINS CAPTIVATED
D	09/27/10	2012	HARDWARES REMOVED



NOTE:  
1. MAX. PANEL THICKNESS = 5mm [0.197]

DESCRIPTION	MATERIAL	FINISH	QTY
5 MOUNTING POST	BRASS	TIN PLATE	1
4 CONTACT PIN	PHOS. BRONZE	GOLD	1
3 INSULATOR	P.P.	NATURAL	1
2 BODY	ZINC DIE CAST	NICKEL	1
1 HOUSING	P.B.T.	WHITE	1

UNLESS OTHERWISE SPECIFIED DIMENSIONS ARE IN MILLIMETERS. DIMENSIONS IN [ ] ARE IN INCHES AND FOR CUSTOMER REFERENCE ONLY.

UNLESS OTHERWISE SPECIFIED TOLERANCES FOR MILLIMETERS ARE:  
0.5 - 8mm ± 0.20mm  
8 - 30mm ± 0.40mm  
30 - 120mm ± 0.50mm

UNLESS OTHERWISE SPECIFIED TOLERANCES FOR INCHES ARE:  
.020 - .315 = ± 0.007"  
.315 - 1.180 = ± 0.015"  
1.180 - 4.724 = ± 0.020"

DO NOT SCALE DRAWING

APPROVALS	DATE
DRAWN G.R.S.	02/12/04
CHECKED	
ISSUED	
SHEET 1 OF 1	
CAD FILE	C:/112/112419.DWG

Amphenol Connex

PART DESCRIPTION  
**BNC R/A PC MOUNT RECEPT. JACK**

PART NO.  
**112419**

DWG. NO.	112419.DWG	REV.	D	SIZE	A	SCALE	NA
----------	------------	------	---	------	---	-------	----