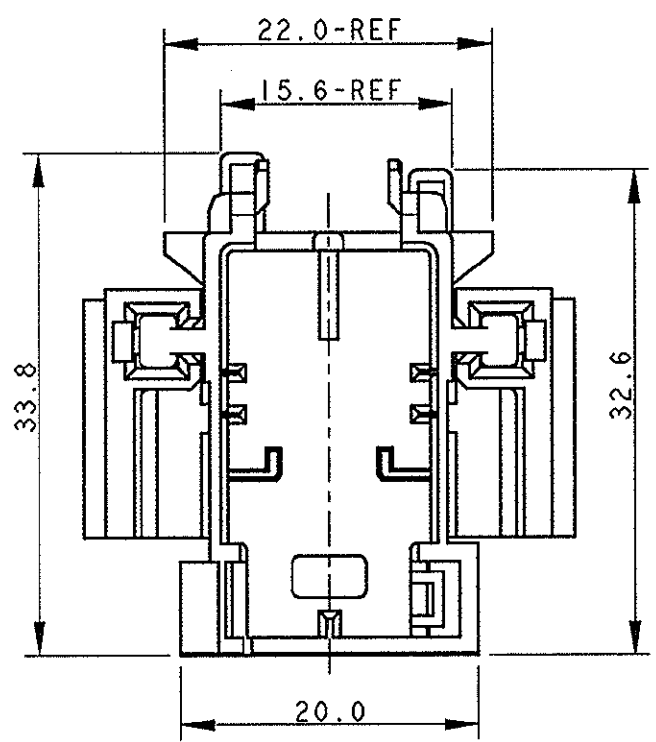
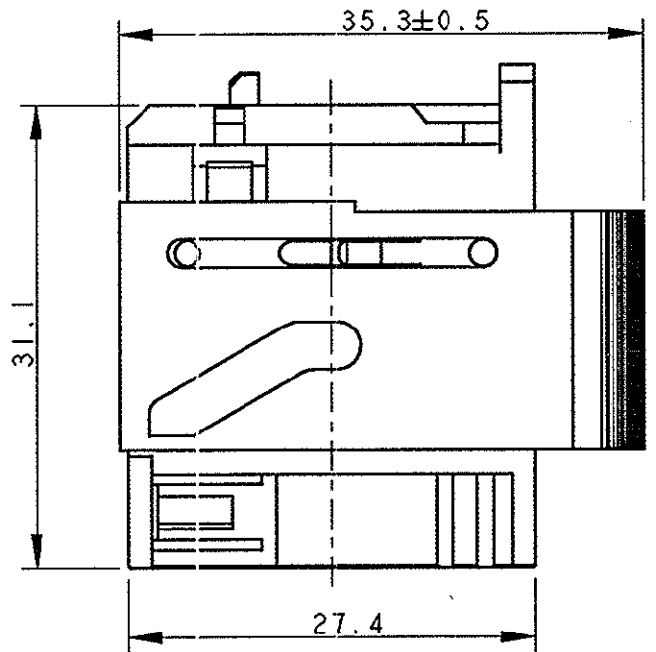
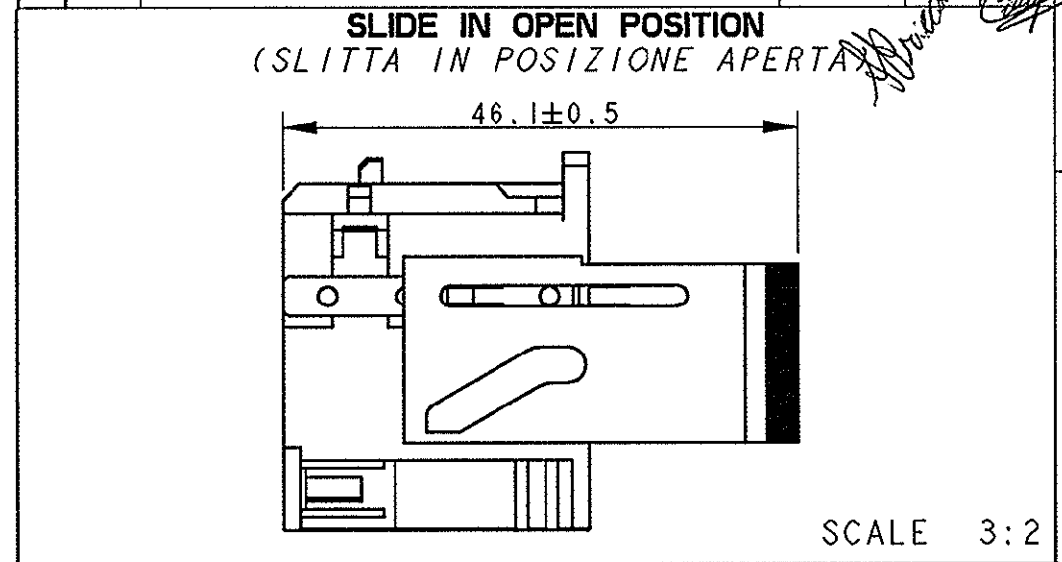
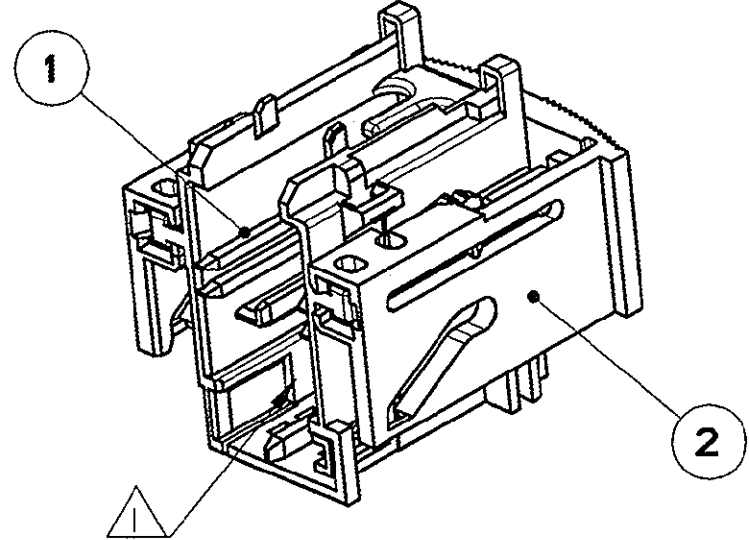
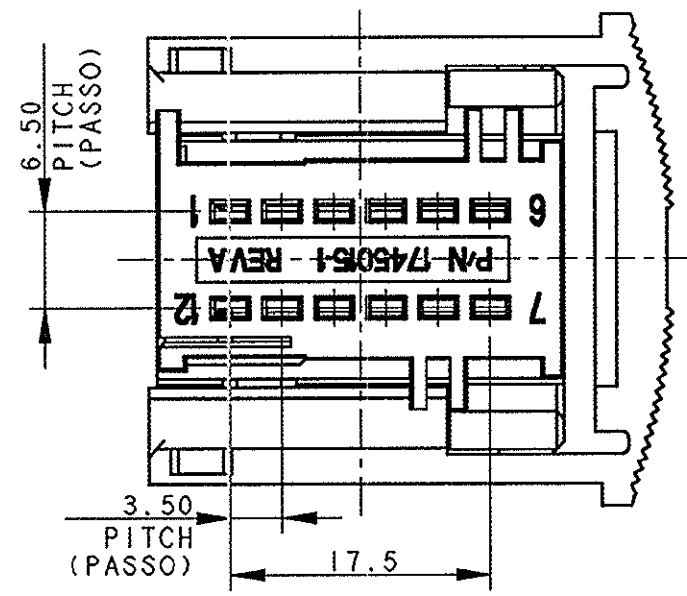


THIS DRAWING IS UNPUBLISHED. QUESTO DISEGNO NON DEVE ESSERE DIVULGATO O RIPRODOTTO.
 RELEASED FOR PUBLICATION E' CONSENTITA LA DIVULGAZIONE
 2003
 © COPYRIGHT 2003 BY TYCO ELECTRONICS CORPORATION. ALL RIGHTS RESERVED. TUTTI I DIRITTI SONO RISERVATI

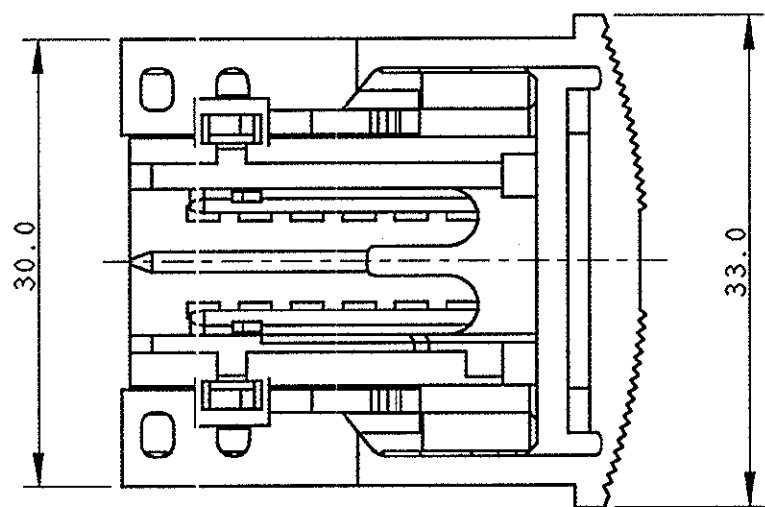
LOC	DIST	REVISIONS REVISIONI			
P	LTR REV	DESCRIPTION DESCRIZIONE	DATE DATA	DWN DIS.	APVD APP.
	0	PRELIMINARY ISSUE (EMISSIONE PRELIM.)	04APR2003	M.S.	O.C.
	1	WAS 03-51081-1	18DEC2003	M.S.	O.C.
	A	FIRST ISSUE (ET00-0022-04)	16FEB2004	A.B.	O.C.
	AI	RELEASED (ET00-0245-04)	03DEC2004	A.B.	O.C.



- 1) FRAME SUITABLE FOR P/N 1745013-1 12 POS. RECEPTACLE HOUSING FOR 070 NEW GENERATION CONTACT, PITCH 3.5 (CORAZZA ADATTA PER P/N 1745013-1 BLOCCETTO PORTACONTATTI 070 NEW GENERATION, PASSO 3.5)
- 2) SUPPLYING CONDITION: KIT MADE OF FRAME WITH SLIDE INTO CLOSED POSITION, PLUS COVER PUT IN THE PACKAGE (CONDIZIONI DI FORNITURA: KIT COMPOSTO DA CORAZZA CON LEVA IN POSIZIONE CHIUSA, PIU' COPERCHIO FORNITO NELLA CONFEZIONE)
- 3) FOR COUNTERPART DIMENSIONS REFER TO P/N 284795-1 SHEET 3 (PER LE DIMENSIONI DELLA CONTROPARTE USARE COME RIFERIMENTO IL P/N 284795-1 FOGLIO 3)

P/N 1745014-1 - AS SHOWN (COME MOSTRATO)

ITEM	DESCRIPTION (DESCRIZIONE)	MATERIAL (MATERIALE)	COLOUR (COLORE)	Q.TY (Q.TA')
1	12 POS. FRAME PITCH 3.5 (CORAZZA 12 VIE PASSO 3.5)	PA66 G.F.	BLACK (NERO)	1
2	SLIDE (SLITTA)	PA66 G.F.	RED (ROSSO)	1
3	COVER (COPERCHIO)	PA66 G.F.	BLACK (NERO)	1

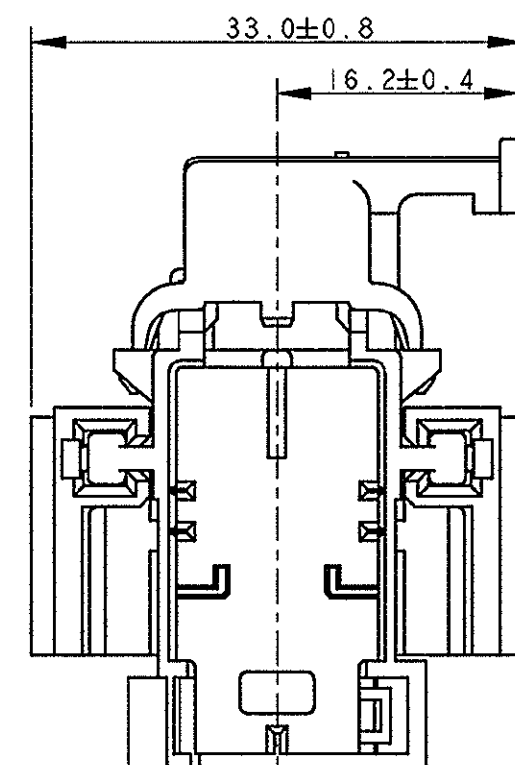
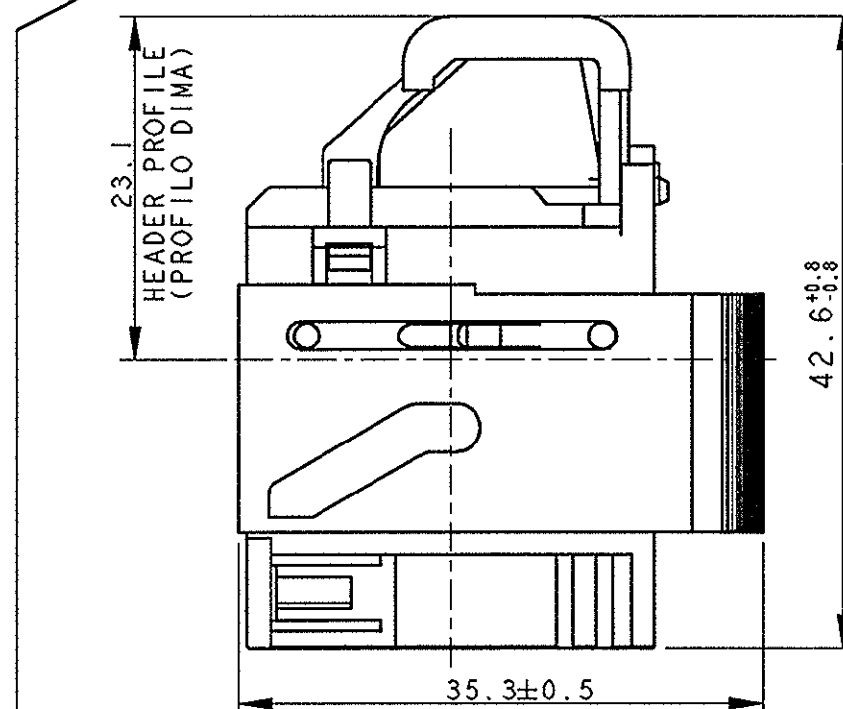
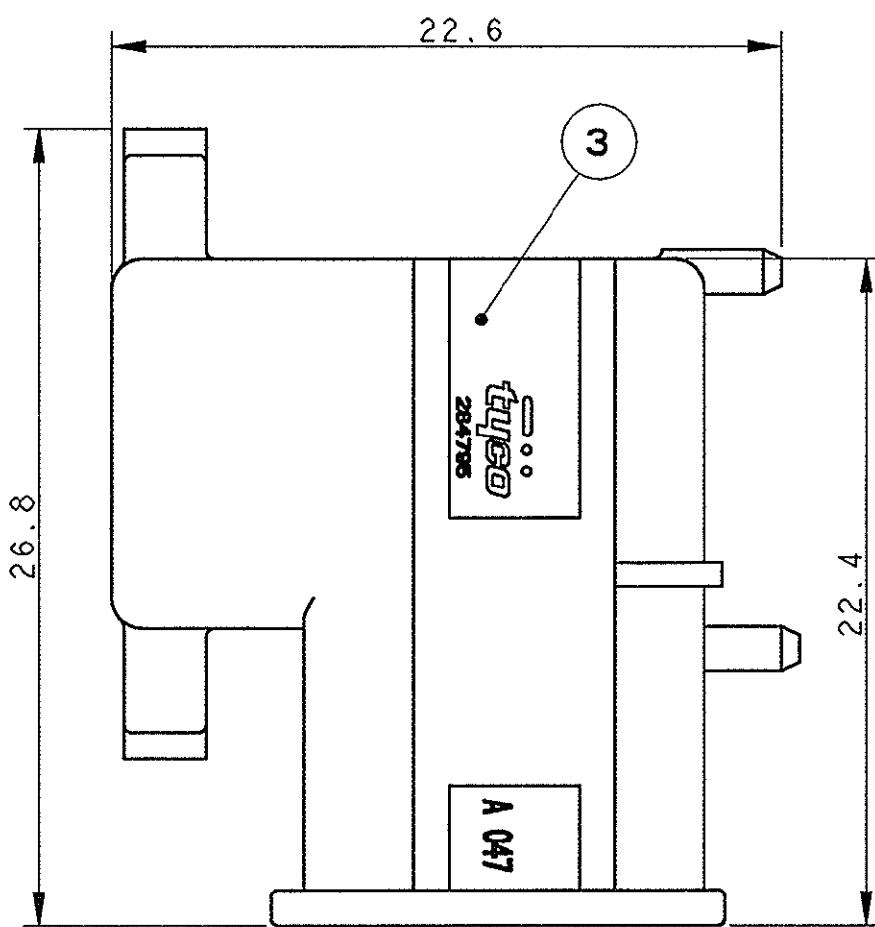
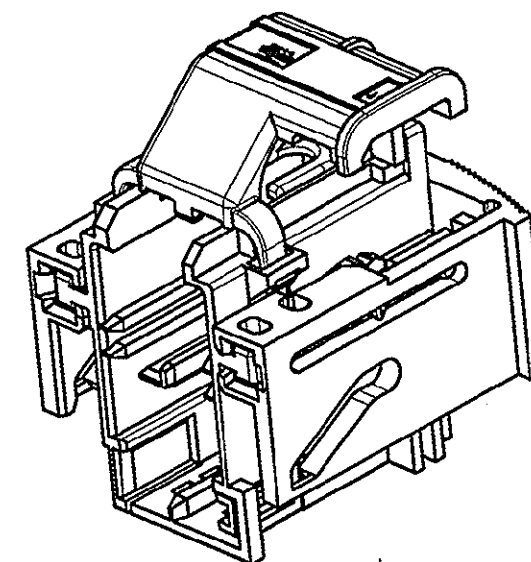
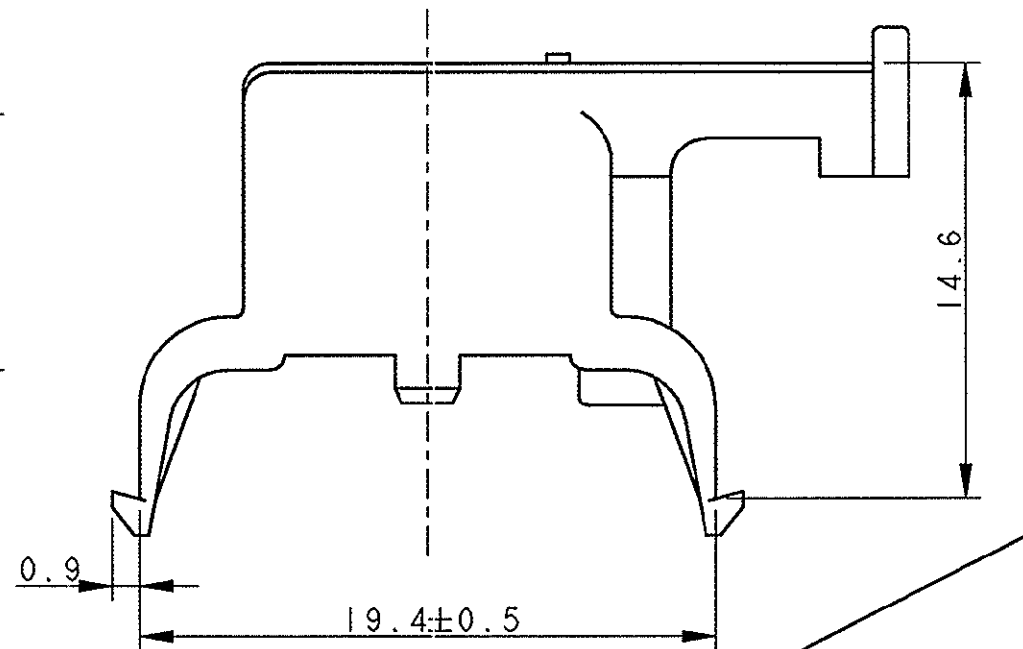
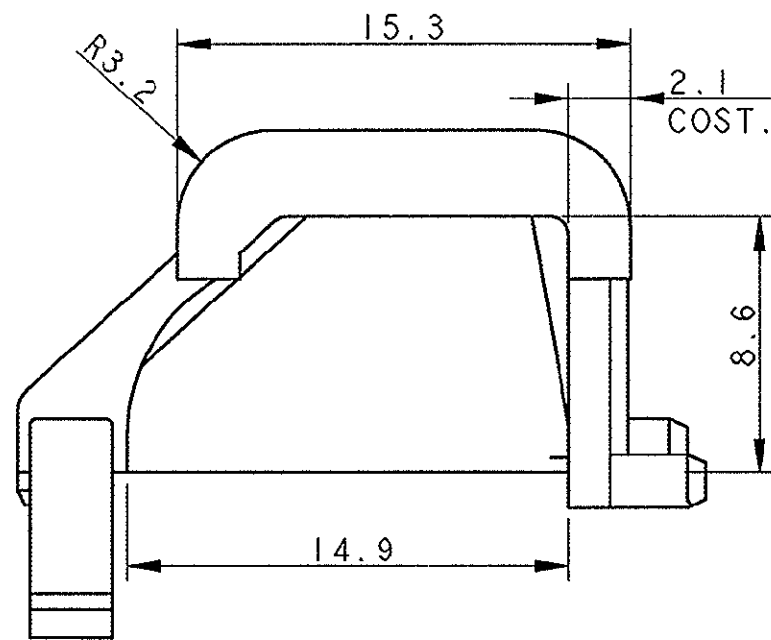


THIS DRAWING IS A CONTROLLED DOCUMENT FOR TYCO ELECTRONICS CORPORATION IT IS SUBJECT TO CHANGE AND THE CONTROLLING ENGINEERING ORGANIZATION SHOULD BE CONTACTED FOR THE LATEST REVISION.
 QUESTO DISEGNO È UN DOCUMENTO DI PROPRIETÀ E RESPONSABILITÀ DELL'AMP INCORPORATED. È SOGGETTO A VARIAZIONI. PER OTTENERE L'ULTIMA REVISIONE DEL DISEGNO CONTATTARE L'UFFICIO TECNICO RESPONSABILE.

DIMENSIONS: DIMENSIONI: mm	TOLERANCES UNLESS OTHERWISE SPECIFIED: TOLLERANZE: SE NON DIVERSAMENTE SPECIFICATO	DWN/DIS. 04APR2003	Tyco Electronics AMP Italia C.so F.lli Cervi, 15 Collegno TO
		CHK/CONT. 04APR2003	
		APVD/APP. 04APR2003	NAME: KIT 12 POS. 070 NEW GEN. PITCH 3.5 (KIT 12 VIE PASSO 3.5 PER CONTATTI 070 NEW GENERATION)
		PRODUCT SPEC SPEC DI PRODOTTO 108-20251	
		APPLICATION SPEC SPEC DI APPLICAZIONE 411-20076	RESTRICTED TO
MATERIAL SEE TABLE (VEDI TAB.)	FINISH FINITURA SEE TABLE (VEDI TAB.)	WEIGHT PESO	SIZE A3 CAGE CODE 00779 DRAWING NO. 1745014
		CUSTOMER DRAWING	DISEGNO PER CLIENTE SOLO PER RIFERIMENTO
		SCALE 2:1	SHEET 1 OF 2 REV A1

THIS DRAWING IS UNPUBLISHED. RELEASED FOR PUBLICATION 2003
 © COPYRIGHT 2003 BY TYCO ELECTRONICS CORPORATION. ALL RIGHTS RESERVED.

LOC	DIST	REVISIONS			
P	LTR	DESCRIPTION	DATE	DWN	APVD
1		SEE SHEET 1	-	-	-



SCALE 4:1

SCALE 2:1

<small>THIS DRAWING IS A CONTROLLED DOCUMENT FOR TYCO ELECTRONICS CORPORATION IT IS SUBJECT TO CHANGE AND THE CONTROLLING ENGINEERING ORGANIZATION SHOULD BE CONTACTED FOR THE LATEST REVISION.</small>		DWN M. SARDI 04APR2003 CHK O. CANUTO 04APR2003 APVD A. GENTA 04APR2003	tyco Electronics Tyco Electronics AMP Italia C.so F.lli Cervi, 15 Collegno TO
DIMENSIONS: mm	TOLERANCES UNLESS OTHERWISE SPECIFIED: 0 PLC ±0.5 1 PLC ±0.3 2 PLC ±0.1 3 PLC ± 4 PLC ± ANGLES ±1°	PRODUCT SPEC APPLICATION SPEC WEIGHT	NAME KIT 12 POS. 070 NEW GEN. PITCH 3.5 (KIT 12 VIE PASSO 3.5 PER CONTATTI 070 NEW GENERATION)
MATERIAL -	FINISH -	SIZE A3 CAGE CODE 00779 DRAWING NO C=1745014	RESTRICTED TO
CUSTOMER DRAWING		SCALE 5:1	SHEET 2 OF 2 REV A1