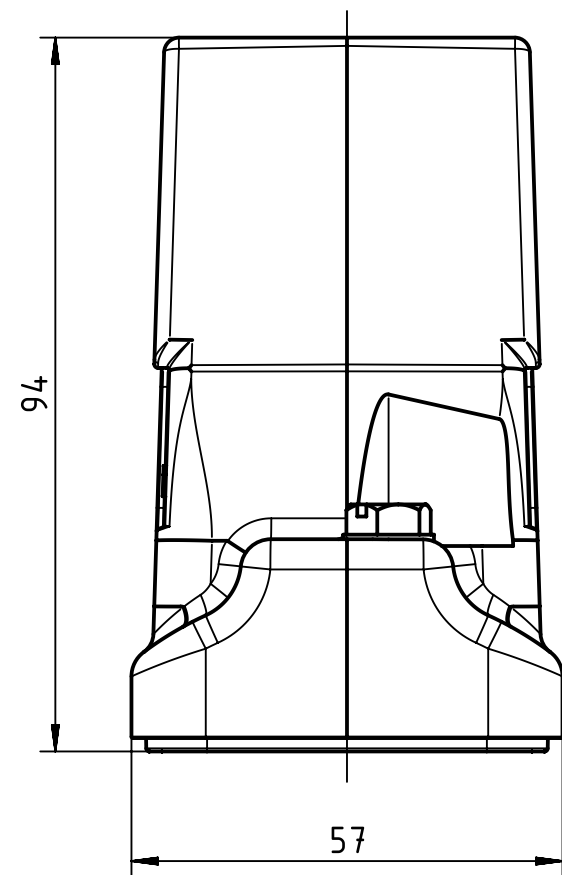
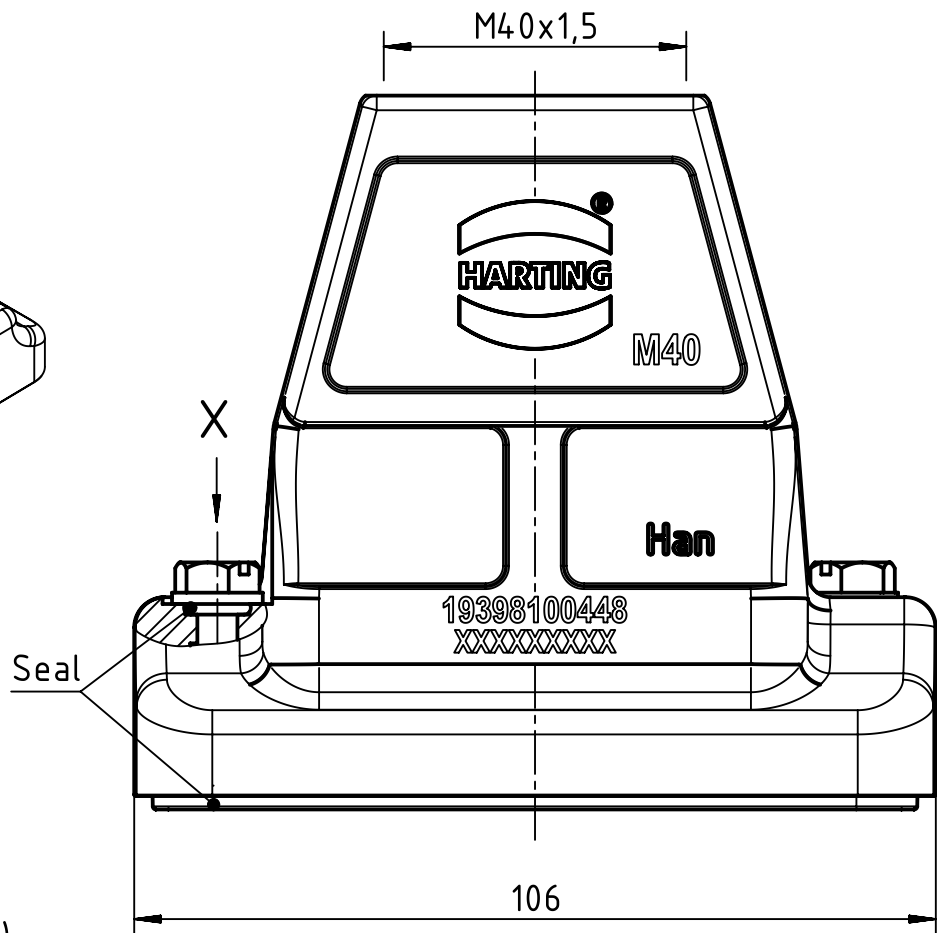
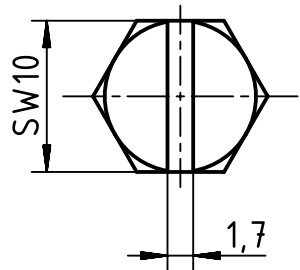
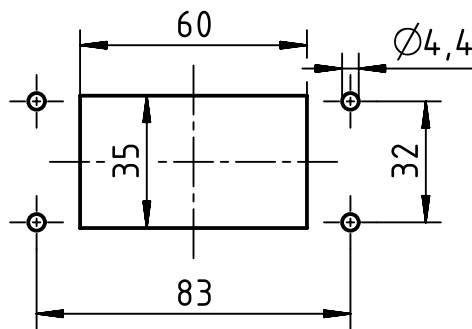


X (2:1)



Panel cut out (1:2)



All Dimensions in mm Original Size DIN A4		Scale 1:1		Free size tol.		Ref.	
All rights reserved Department EL PD - CN		Created by LONGL		Inspected by WENE		Standardisation SCHMIDTM	
HARTING (Zhuhai) Manufacturing Co., Ltd. 519085 Zhuhai, China		Title Han 10HP Direct/EMV-HTE-M40				Date 2017-03-20	
		Type TB		Number 19 39 810 0448		State Final Release	
						Doc-Key / ECM-Nr. 100665106/UGD/005/C 500000116965	
						Rev. C	
						Page 1/1	