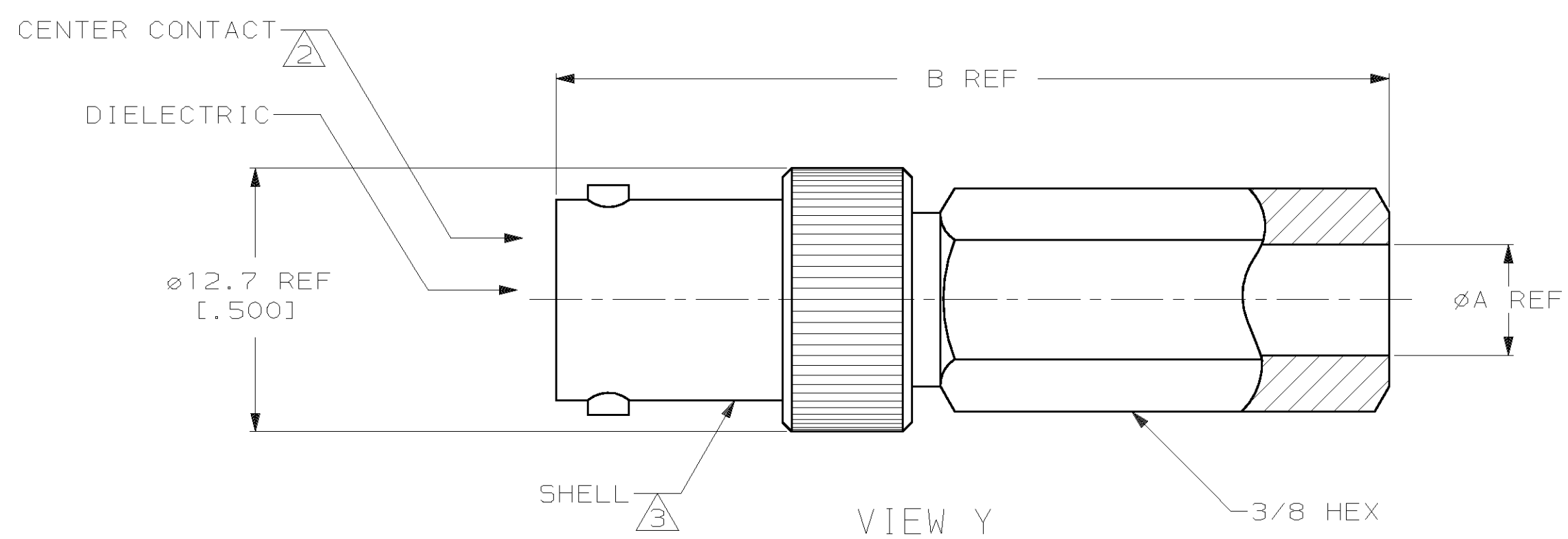
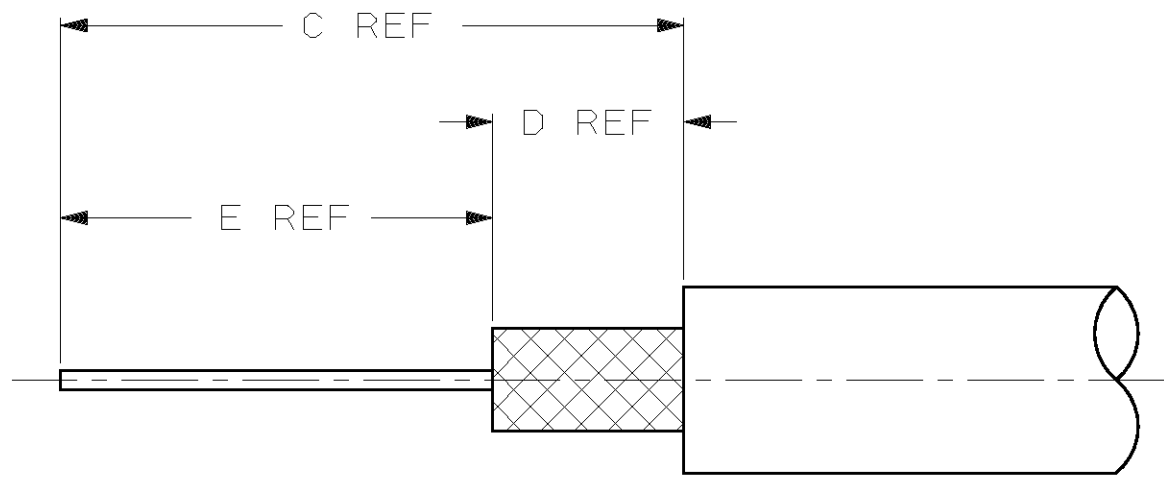
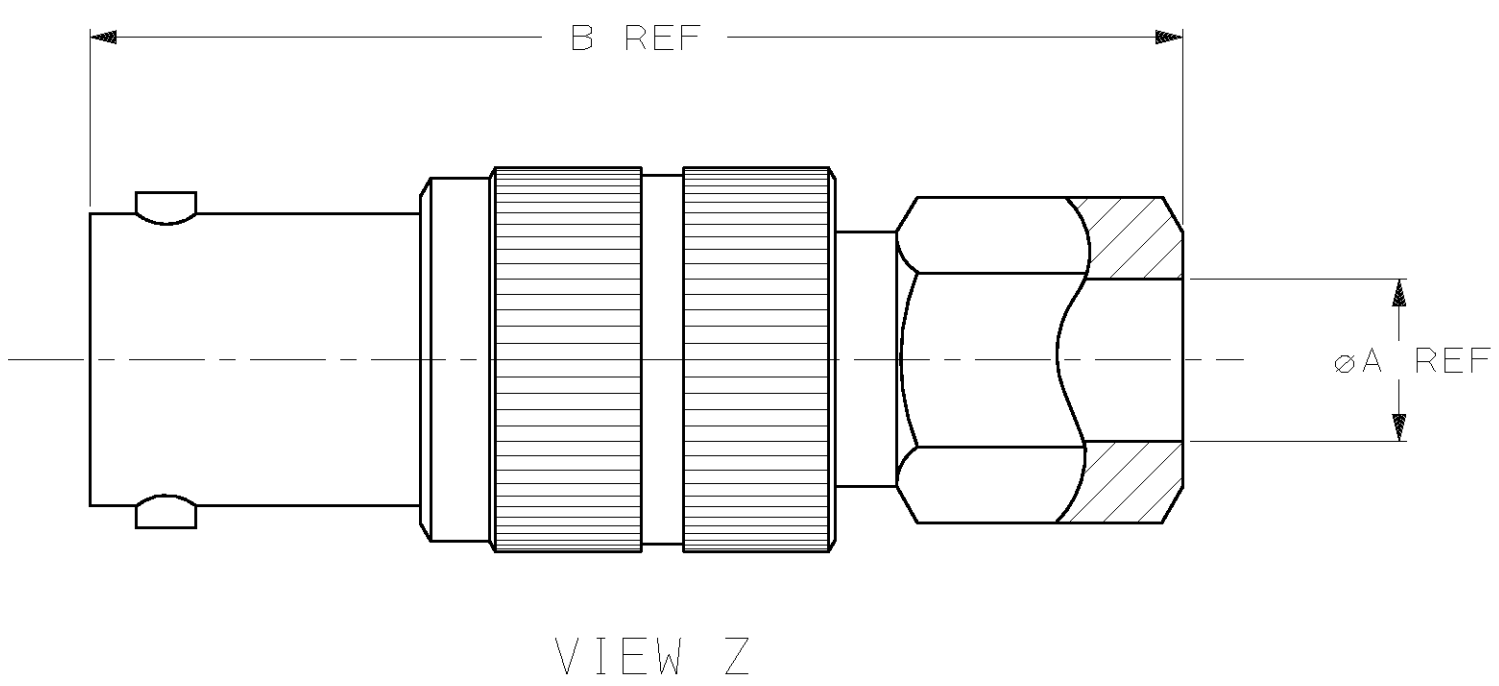


THIS DRAWING IS UNPUBLISHED. RELEASED FOR PUBLICATION  
 © COPYRIGHT 19 BY AMP INCORPORATED. ALL INTERNATIONAL RIGHTS RESERVED.

LOC	DIST	P	F	REVISIONS			DATE	APPD
AJ	16			ZONE	LTR	DESCRIPTION		
					H	OBS -7 PER 0U20-0076-01	23FEB01	M0



- 1 MATERIAL:  
SHELL: BRASS  
CENTER CONTACT: PHOSPHOR BRONZE  
DIELECTRIC: SEE TABLE
- 2 GOLD PLATING
- 3 NICKEL PLATING
- 4. PRODUCT MADE IN TAIWAN
- 5. SEE I.S. 6996



	OBSOLETE	BELDEN 88241	ACETAL	14.30 [.563]	6.35 [.250]	20.65 [.813]	40.13 [1.580]	.193	Y	1-222428-3
	OBSOLETE	BELDEN 88240	ACETAL	14.30 [.563]	6.35 [.250]	20.65 [.813]	40.13 [1.580]	.165	Y	1-222428-1
	SUPERSEDED BY 222428-1	RG-59/U, 59A/U, 59B/U, 62/U, 62A/U	PTFE	14.30 [.563]	6.35 [.250]	20.65 [.813]	40.13 [1.580]	.224	Y	1-222428-0
	SUPERSEDED BY 222428-1	RG-59/U, 59A/U, 59B/U, 62/U, 62A/U	ACETAL	10.49 [.413]	3.18 [.125]	14.48 [.570]	36.07 [1.420]	.217	Z	222428-9
	OBSOLETE	RG-58/U, 58B/U	ACETAL	14.30 [.563]	6.35 [.250]	20.65 [.813]	40.13 [1.580]	.185	Y	222428-7
	OBSOLETE	BELDEN 8281	ACETAL	14.30 [.563]	6.35 [.250]	20.65 [.813]	40.13 [1.580]	.287	Y	222428-5
	SUPERSEDED BY 222428-1	RG-59/U, 59A/U, 59B/U, 62/U, 62A/U	PTFE	14.30 [.563]	6.35 [.250]	20.65 [.813]	40.13 [1.580]	.224	Y	222428-2
		RG-59/U, 59A/U, 59B/U, 62/U, 62A/U	ACETAL	10.49 [.413]	3.18 [.125]	14.48 [.570]	36.07 [1.420]	.217	Z	222428-1
		FOR USE WITH CABLE	DIELECTRIC	E REF	D REF	C REF	B REF	øA	VIEW	PART NUMBER

DO NOT SCALE PRINT. UNLESS SPECIFIED DIMENSIONS IN mm [INCHES] TOLERANCES ON : 2 PLC DEC ± - 3 PLC DEC ± - ANGLES ± -		DR 1-25-91 M.E. COWHER		AMP Incorporated Harrisburg, PA 17105-3608	
MATERIAL		CHK 2-19-91 M. PHILLIPS			
FINISH		APPD 2-19-91 M. PHILLIPS		NAME	
1 2 3		APPD 2-19-91 M.E. COWHER		JACK, TWIST-ON, COMMERCIAL BNC	
APPLICATION SPEC		PRODUCT SPEC		SIZE	CAGE CODE
-		-		C	00779
WEIGHT		-		DRAWING NO	
-		-		222428	
		SCALE 4:1		SHEET	1 OF 1