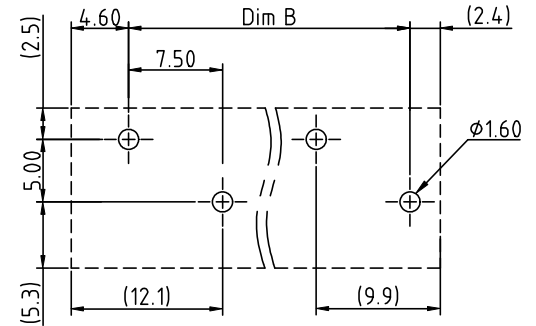
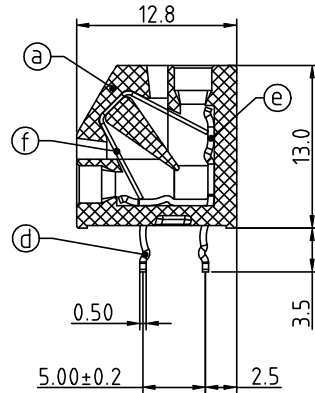
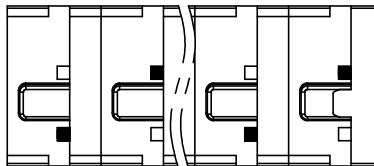
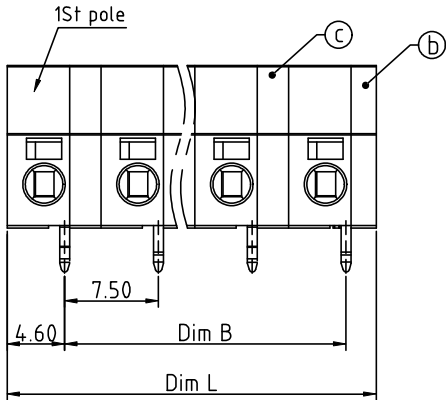
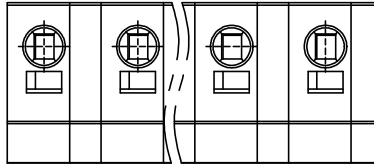


PRODUCT NUMBER	PITCH
H7xx10x300J0G	7.50 mm



RECOMMENDED P.C.B LAYOUT  
TOP VIEW

Material:

- Item@Insulating body: Thermoplastic ( UL94V-0 )
- ItemⓓInsulating cover: Thermoplastic ( UL94V-0 )
- Itemⓐpad board: Thermoplastic ( UL94V-0 )
- ItemⓐContact on entry pin: Brass, Tin plated
- ItemⓐContact on back pin: Brass, Tin plated
- ItemⓕSpring clamp: Stainless steel

Electrical cULus

- Voltage rating: 300VAC
- Current rating: 8A
- Wire range:
- Solid wire(AWG): 16-20
- Stranded wire(AWG): 16-20
- Wire strip length: 7-8mm
- Withstanding Voltage: 1.6KV
- Operating temperature: -40°C to +115°C
- Soldering temperature: 260°C±5°C/5 Sec
- Safety Approval:

PART NO.: H7 xx 10 x 3 00J0 G

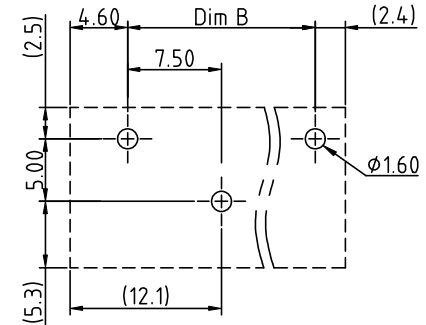
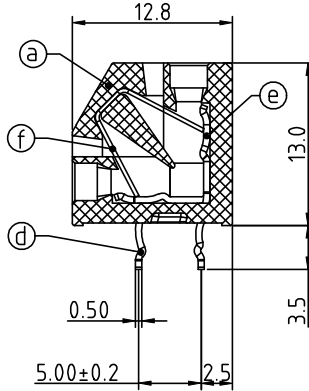
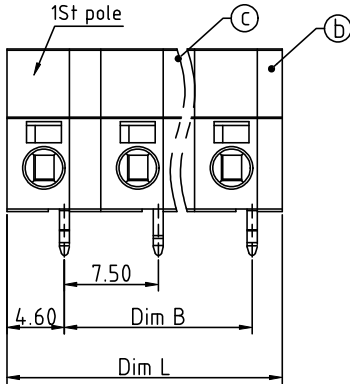
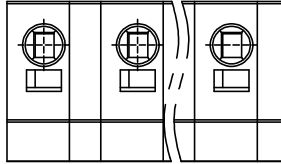
N=Number of poles  
Dim L=N×7.5-0.5  
Dim B=(N-1)×7.5

POLES	Tolerance
2p/4p/6p/8p	±0.20
10p/12p/14p/16p	±0.30

End stackable	No. of poles	Color	RoHS compliant (lead<4%) In copper Alloy
0	2	Black (RAL9005)	
2	4	Red (RAL3001/D)	
3	...	Orange(RAL2011/P)	
4	...	Yellow(RAL1018/A)	
5	...	Green(RAL6018/T)	
6	...	Blue (RAL5015/A)	
8	...	Grey(RAL7004/P)	
9	...	White(RAL1102)	
C	...	Multiple colors	

mat'l. code				surface ASME Y14.5 ✓		tolerance ASME Y14.5		projection		product family	
tr				ecn no		dr		date		TERMINAL BLOCK	
										title	
										TERMINAL BLOCK	
										SPRING CLAMP,90D AND 180D WIRE INLET,EVEN POLES	
										scale	
										sheet no	
										sheet 1 of 2 size	
										H7xx10x300J0G	
										A4	
										type	
										CUSTOMER Drawing	
sheet index		revision sheet		A		1					

PRODUCT NUMBER	PITCH
H7xx10x300J0G	7.50 mm



RECOMMENDED P.C.B. LAYOUT  
TOP VIEW

Material:

- Item@Insulating body: Thermoplastic ( UL94V-0 )
- ItemⓅInsulating cover: Thermoplastic ( UL94V-0 )
- ItemⓄPad board: Thermoplastic ( UL94V-0 )
- ItemⓂContact on entry pin: Brass, Tin plated
- ItemⓂContact on back pin: Brass, Tin plated
- ItemⓈSpring clamp: Stainless steel

Electrical cULus

- Voltage rating: 300VAC
- Current rating: 8A
- Wire range:
- Solid wire(AWG): 16-20
- Stranded wire(AWG): 16-20
- Wire strip length: 7-8mm
- Withstanding Voltage: 1.6KV
- Operating temperature: -40°C to +115°C
- Soldering temperature: 260°C±5°C/5 Sec
- Safety Approval:

PART NO.: H7 xx 10 x 3 00J0 G

N=Number of poles

Dim L=N×7.5-0.5

Dim B=(N-1)×7.5

POLES	Tolerance
3p/5p/7p/9p	±0.20
11p/13p/15p	±0.30

End stackable	No. of poles	Color	RoHS compliant (lead<4%) In copper Alloy
0	2	Black (RAL9005)	
	3	Red (RAL3001/D)	
	3	Orange(RAL2011/P)	
	4	Yellow(RAL1018/A)	
	5	Green(RAL6018/T)	
	5	Blue (RAL5015/A)	
	6	Grey(RAL7004/P)	
	8	White(RAL1102)	
	9	Multiple colors	

mat'l. code		surface ASME Y14.5	tolerance ASME Y14.5	projection	product family
ltr		tolerances unless otherwise specified		MM	TERMINAL BLOCK
ecn no	dr	date	angles	scale	title
			X±0.5		TERMINAL BLOCK
			X.X±0.3		SPRING CLAMP,90D AND 180D WIRE INLET,ODD POLES
			X'±1"		scale
			X.XX±0.1		dwg no
					sheet 2 of 2 size
					H7xx10x300J0G
					A4
					type
					CUSTOMER Drawing
sheet index	revision sheet	A	2		