



PRODUCT NUMBER
20020035-XXXXXXLF

20020035-□ □ □ □ B 0 □ L F

PITCH  
 G: 5.00 mm  
 H: 5.08 mm

POLES  
 02: 2 POLES  
 03: 3 POLES  
 .....  
 24: 24 POLES

LF : DENOTED RoHS COMPATIBLE  
 1 : STANDARD PRODUCT  
 W/ BOX PACKING

PROPERTY TABLE				
FCI SERIES NAME		35-500	35-508	
PITCH (mm)		5.00	5.08	
VOLTAGE RATING (VAC)		300	300	
CURRENT RATING (A)		10	10	
APPLICABLE WIRE RANGE (AWG)	1-WIRE	12~26	12~26	
	2-WIRE	NA	NA	
WIRE CROSS SECTION (mm <sup>2</sup> )	SOLID	1-WIRE	2.5	2.5
		2-WIRE	NA	NA
	STRANDED	1-WIRE	2.5	2.5
		2-WIRE	NA	NA
OPENING CONTACT HOUSING(mm <sup>2</sup> )		2.4x3.0	2.2x3.0	
WIRE STRIP LENGTH(mm)		8~9	8~9	
WITHSTANDING VOLTAGE (kV)		1.6	1.6	
OPERATING TEMP. (°C)		-40~+115	-40~+115	
POLES AVAILABLE		02~24	02~24	
SAFETY CERTIFICATE				

HOUSING CODE		
CODE	COLOR	AVAILABILITY
1	GREEN(RAL 6018/T)	STANDARD
2	BLACK	ON REQUEST ONLY
3	GREY(RAL 7004/P)	ON REQUEST ONLY
4	BLUE(RAL 5015/A)	ON REQUEST ONLY

- NOTES:  
 1. MATERIALS  
 1-1 HOUSING: THERMALPLASTIC RESIN, UL 94V-0 RATED.  
 1-2 INSULATING LEVER: THERMALPLASTIC RESIN, UL 94V-0 RATED.  
 1-3 WIRE GUARD : STAINLESS STEEL.  
 1-4 TERMINAL: COPPER ALLOY, TIN PLATED.  
 1-5 SCREW: STEEL, ZINC PLATED.  
 2. PRODUCT SPECIFICATION REFER TO FCI GS-12-625.  
 3. PRODUCT PACKING SPECIFICATION REFER TO FCI GS-14-1394.  
 4. FCI, SAFETY CERTIFICATE LOGO AND SERIES NAME TO BE SHOWN ON PRODUCT SURFACE.  
 5. THE PRODUCTS WHERE THE PART NUMBER END IN "LF" MEET THE EUROPEAN UNION DIRECTIVE AND OTHER COUNTRY REGULATIONS AS DESCRIBED IN GS-22-008.

mat'l. code		surface ASME Y14.5		tolerance ASME Y14.5		projection		product family	
ltr		ecn no	dr	date		tolerances unless otherwise specified		TERMINAL BLOCK	
A		T11-0004	WL	011811		X.±0.5		title	
B		T-005306	WL	082311		X.X±0.3		TERMINAL BLOCK	
						X°±1'		PLUGGABLE SIGNAL PLUG, DOWNSIDE CONTACT W/FLANGE	
						X.XX±0.1		scale	
				dr		WENDY CHEN		113010	
				enr		JASON HSU		113010	
				chr		JASON HSU		113010	
				appd		JASON HSU		113010	
sheet index		revision sheet		B	B	B			
				1	2	3			





Copyright FCI.



FCIconnect.com

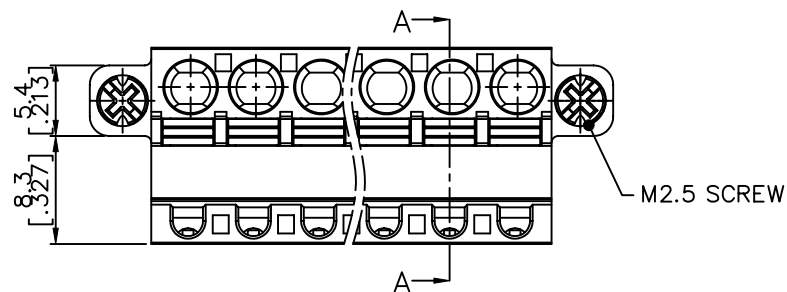


3



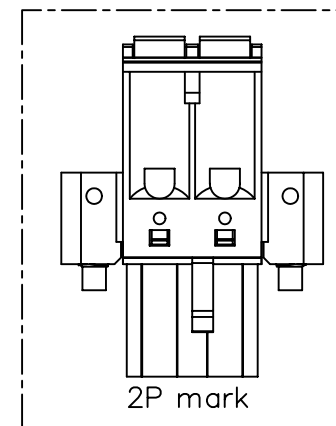
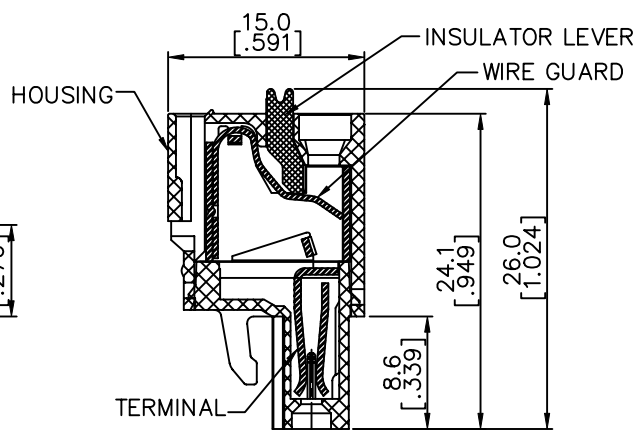
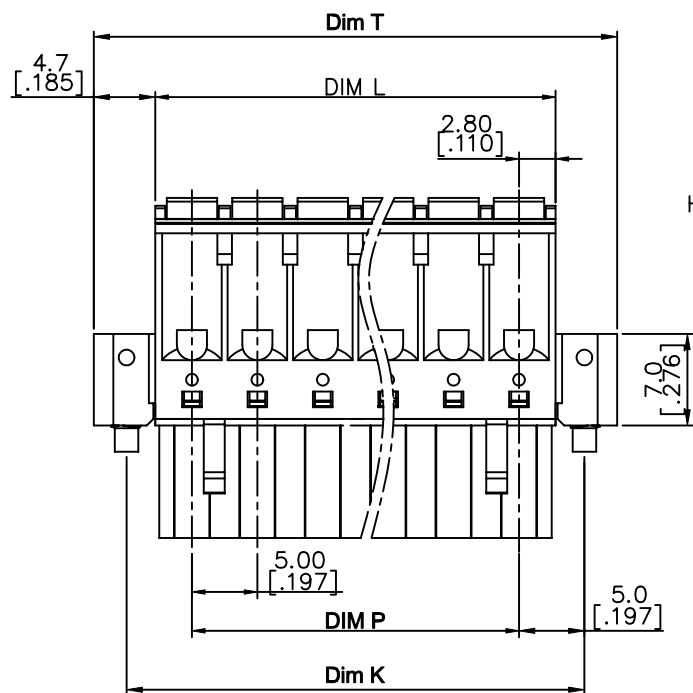
4

PRODUCT NUMBER	SERIES NAME	PITCH
20020035-GXXXXXXLF	35-500	5.00 mm



N = Number of poles  
 DIM. L =  $(N \times 5.00 [0.197]) + 0.6 [0.024]$   
 DIM. P =  $(N - 1) \times 5.00 [0.197]$   
 DIM. T =  $(N \times 5.00 [0.197]) + 10.02 [0.394]$   
 DIM. K =  $(N + 1) \times 5.00 [0.197]$

POLES	DIM. L & P	DIM. T & K
2-6p	$\pm 0.15 [0.006]$	$\pm 0.15 [0.006]$
7-12p	$\pm 0.20 [0.008]$	$\pm 0.25 [0.010]$
13-18p	$\pm 0.25 [0.010]$	$\pm 0.30 [0.012]$
19-24p	$\pm 0.30 [0.012]$	$\pm 0.40 [0.016]$



mat'l. code		surface ASME Y14.5	tolerance ASME Y14.5	projection 	product family TERMINAL BLOCK
ltr	ecn no	dr	date	title TERMINAL BLOCK PLUGGABLE SIGNAL PLUG, DOWNSIDE CONTACT W/FLANGE	
B				angles X $\pm$ 1°	scale MM [INCH]
				dr	sheet 2 of 3 size
				enr	20020035
				chr	A4
				appd	type CUSTOMER Drawing
sheet index	revision sheet				



Copyright FCI.



FCIconnect.com

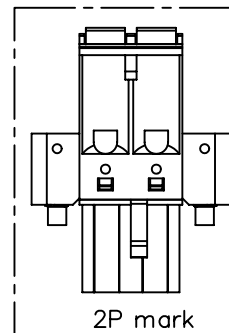
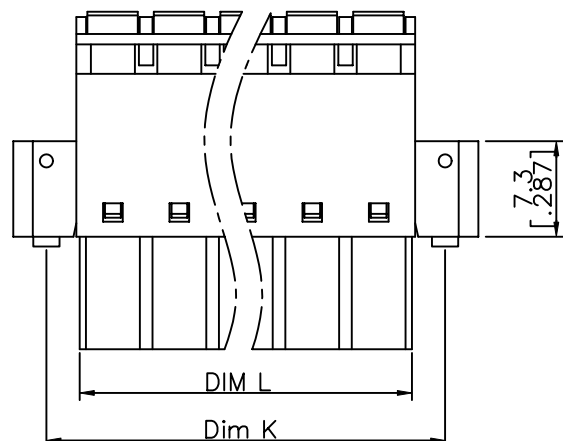
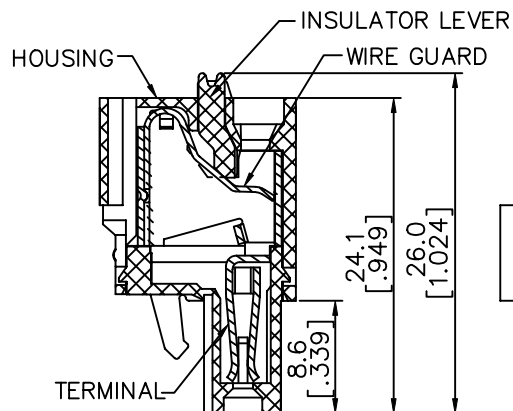
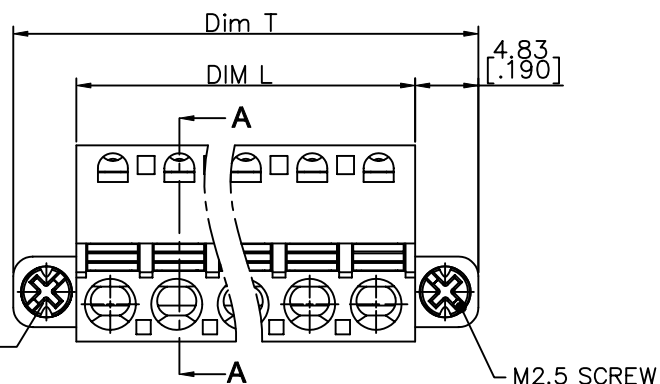


3



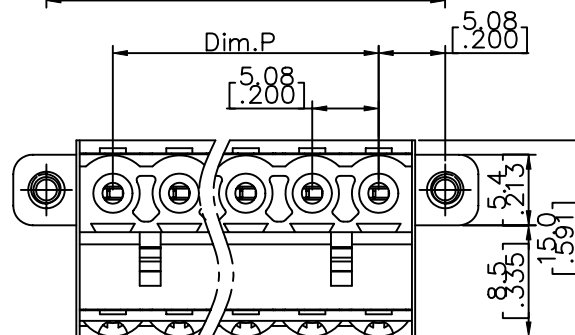
4

PRODUCT NUMBER	SERIES NAME	PITCH
20020035-HXXXXXLFF	35-508	5.08 mm



N = Number of poles  
 DIM. L = (N x 5.08 [.200]) + 0.5 [.020]  
 DIM. P = (N - 1) x 5.08 [.200]  
 DIM. T = (N x 5.08 [.200]) + T0.16 [.400]  
 DIM. K = (N + 1) x 5.08 [.200]

POLES	DIM. L & P	DIM. T & K
2-6p	±0.15 [.006]	±0.15 [.006]
7-12p	±0.20 [.008]	±0.25 [.010]
13-18p	±0.25 [.010]	±0.30 [.012]
19-24p	±0.30 [.012]	±0.40 [.016]



mat'l. code		surface ASME Y14.5	tolerance ASME Y14.5	projection	product family TERMINAL BLOCK
ltr	ecn no	dr	date	tolerances unless otherwise specified	title
B				angles X ± 1°	TERMINAL BLOCK PLUGGABLE SIGNAL PLUG, DOWNSIDE CONTACT W/FLANGE
				scale	MM [INCH]
		dr	WENDY CHEN	113010	dwg no
		enr	JASON HSU	113010	sheet 3 of 3
		chr	JASON HSU	113010	size
		appd	JASON HSU	113010	20020035
					A4
sheet index	revision sheet				type CUSTOMER Drawing

