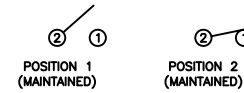


**SCHEMATIC**



**SPECIFICATIONS**

**FUNCTION:**  
1P1T OFF-ON

**RATINGS:**  
ANSI/UL 1054 and CAN/CSA C22.2 No. 55 (E194579):  
10A 125VAC [UR, cUR]  
EN 61058-1:2002:  
6A 250V~ μ 1E4 T85/55 [ENEC14, SEMKO]

**CONTACT RESISTANCE:**  
Initial: 35mΩ Max. at 50VAC

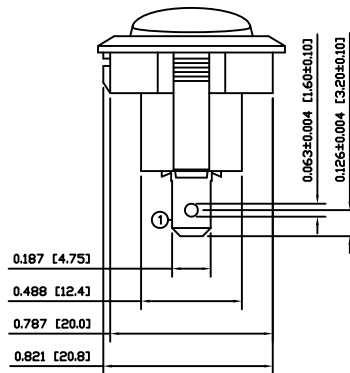
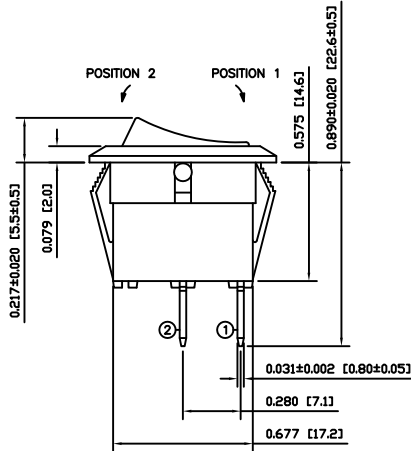
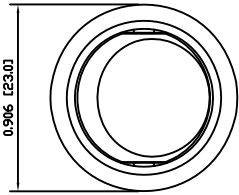
**INSULATION RESISTANCE:**  
100MΩ Min. at 500VDC

**DIELECTRIC STRENGTH:**  
1,500VAC For 1 Minute

**ELECTRICAL LIFE:**  
6,000 Cycles [UR, cUR]  
10,000 Cycles [ENEC14, SEMKO]

**TEMPERATURE:**  
Operating: -20°C to 105°C [UR, cUR]  
Operating: -20°C to 85°C [ENEC14, SEMKO]

**APPROVALS:**



**COLORS AND MARKINGS**

**BODY:**  
Black

**ACTUATOR:**  
Black

**MARKINGS:**  
None

**MARKING COLOR:**  
None

**MATERIALS**

**BODY:**  
Polyamide 6/6 (PA66), UL94 V-2

**ACTUATOR:**  
Polyamide 6/6 (PA66), UL94 V-2

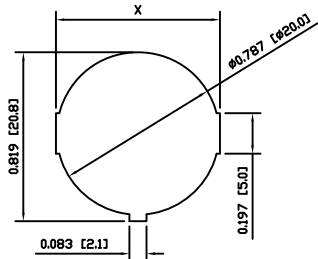
**SPRING:**  
Steel

**SPRING COVER:**  
Steel

**CONTACTS:**  
Silver Alloy Plated Copper

**TERMINALS:**  
Silver Plated Copper

**SUGGESTED PANEL CUTOUT**



| PANEL THICKNESS         | X            |
|-------------------------|--------------|
| 0.030~0.049 [0.75~1.25] | 0.795 [20.2] |
| 0.049~0.079 [1.25~2.00] | 0.803 [20.4] |
| 0.079~0.118 [2.00~3.00] | 0.811 [20.6] |

| ACTUATOR       | A    | 09/08/10 | CAB |
|----------------|------|----------|-----|
| BODY           | B    | 10/03/31 | CAB |
| COLORS         | A    | 09/08/10 | CAB |
| MATERIALS      | A    | 09/08/10 | CAB |
| SPECIFICATIONS | B    | 10/04/01 | CAB |
| REFERENCE      | REV. | DATE     | BY  |

THE INFORMATION CONTAINED IN THIS DOCUMENT IS PROPRIETARY TO E-SWITCH-LAMB INDUSTRIES AND IS NOT TO BE COPIED OR TRANSFERRED

| INITIAL RELEASE | 19456 | 10/11/17 | CAB      |
|-----------------|-------|----------|----------|
| DESCRIPTION     | PCR   | DATE     | DRAWN BY |

| DIMENSIONS           | TITLE         |
|----------------------|---------------|
| INCHES [MILLIMETERS] | RR11131100    |
| GENERAL TOLERANCES   |               |
| ±0.008 [±0.2] / ±1'  |               |
| SCALE                | PROJECTION    |
| DRAWING NOT TO SCALE | 38-RR11131100 |

RR11131100

|                   |          |  |
|-------------------|----------|--|
| DATE              | REVISION |  |
| NOVEMBER 17, 2010 | A        |  |