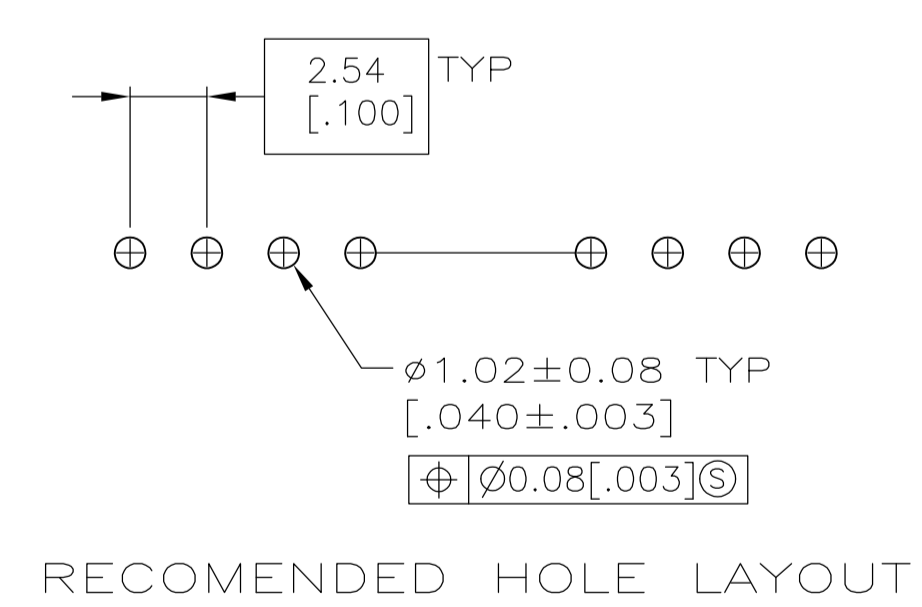
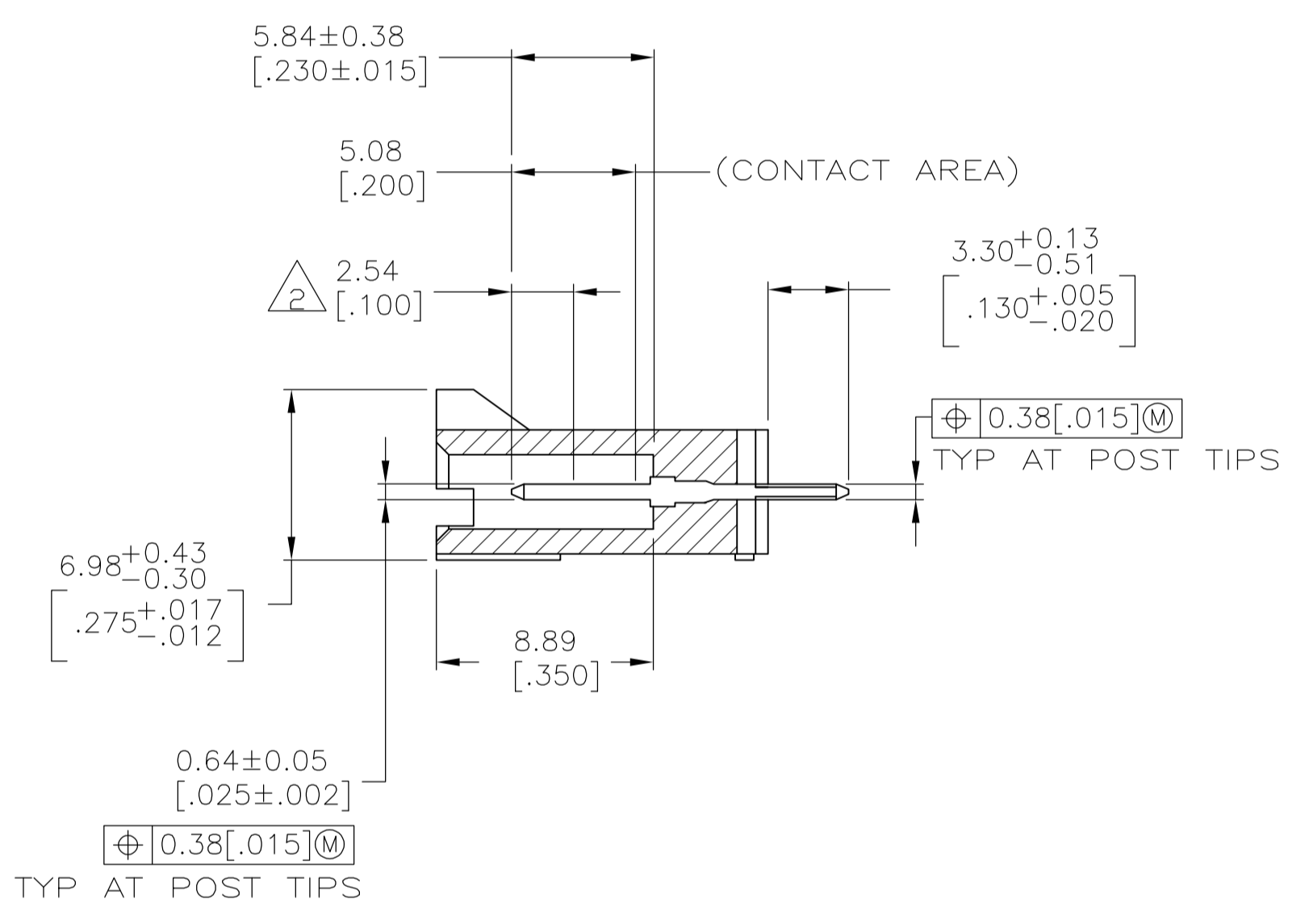
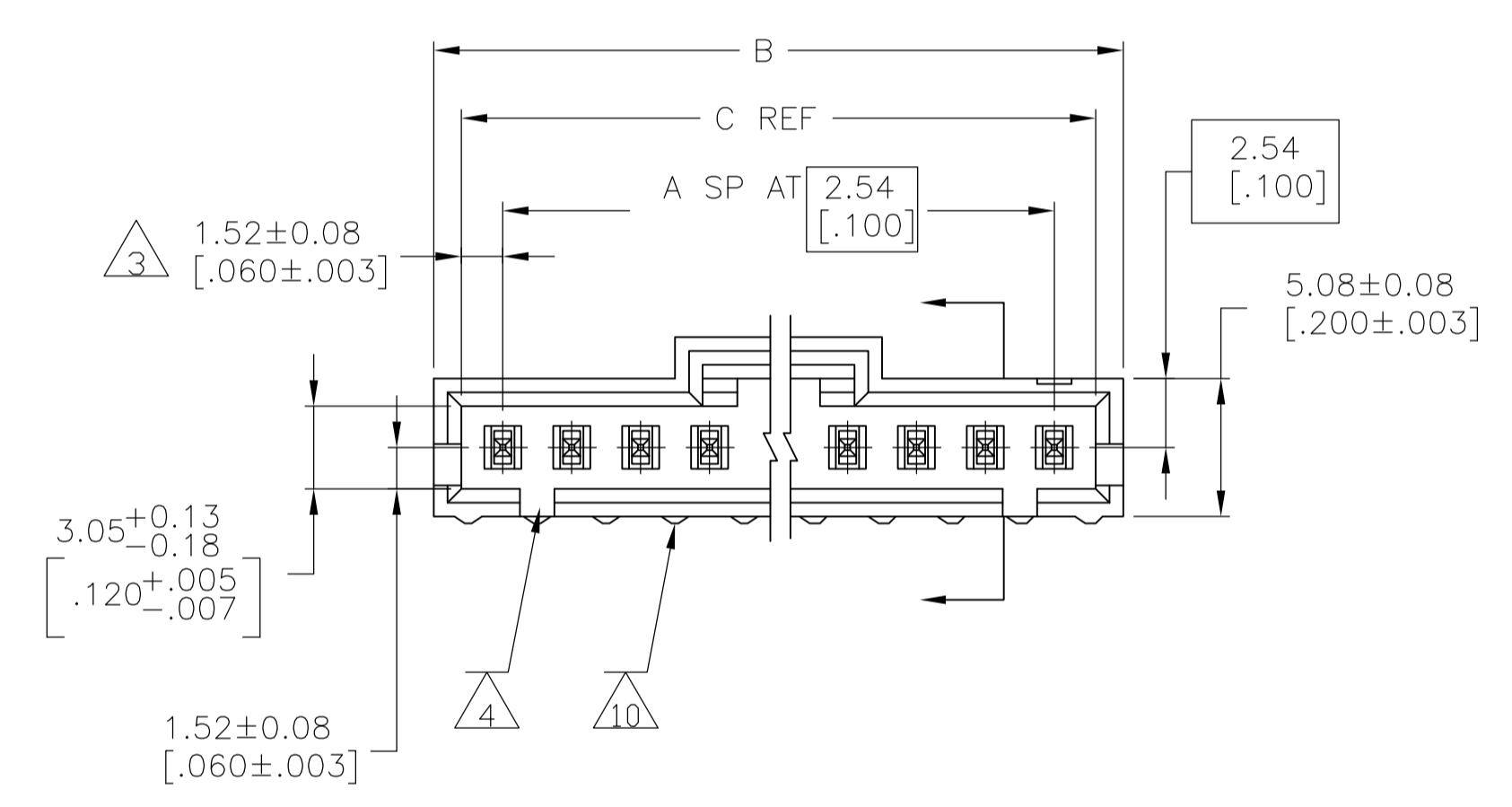
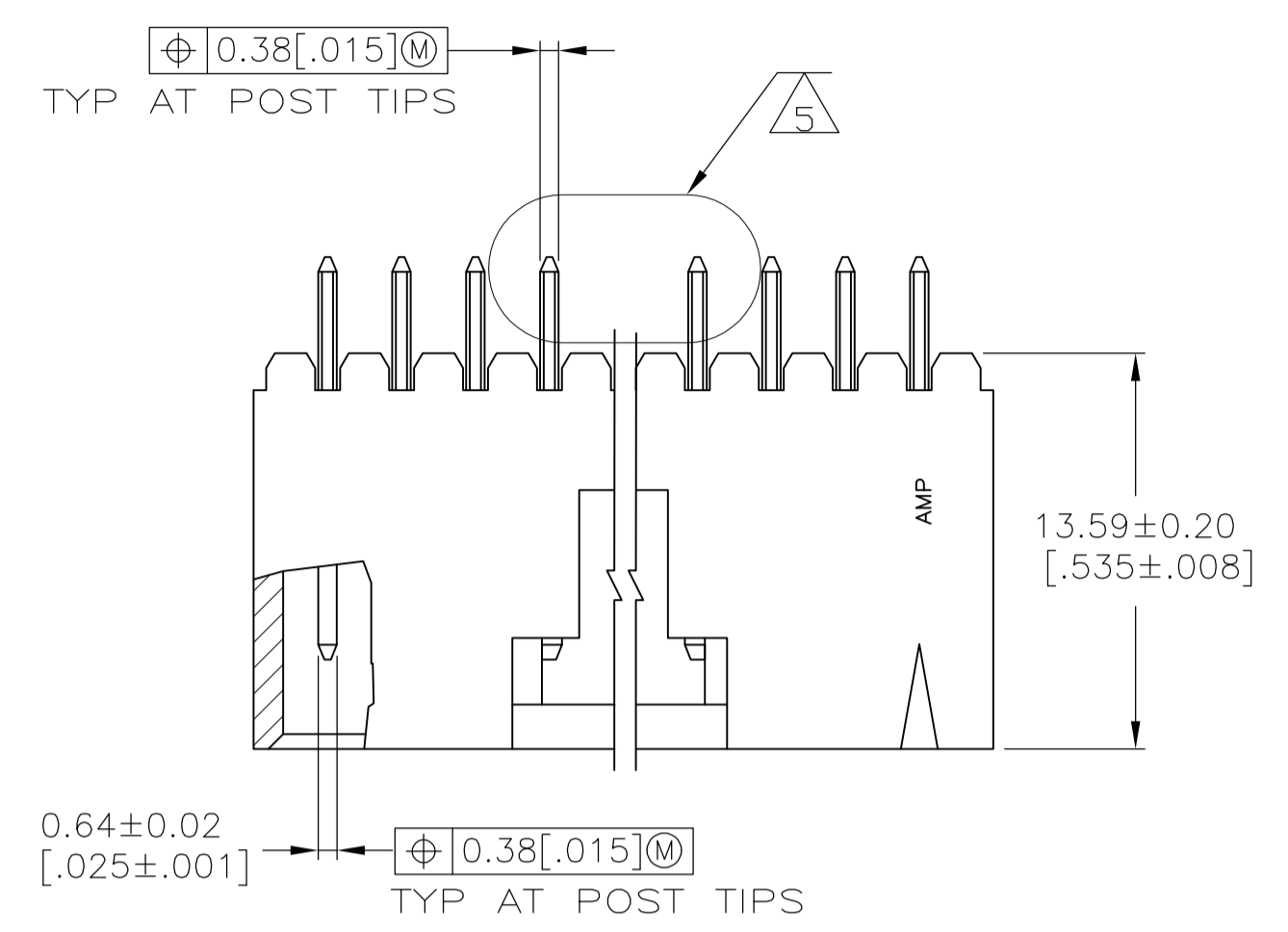


LOC		DIST		REVISIONS			
AD	39	REV	DATE	BY	CHK	APPV	
B	EC 063C 0789 04		05FEB05	BSV	JLG		
B1	REVISED PER ECO-09-021826		02SEP09	KK	AEG		

- 1 .00254[.000100] BRIGHT TIN OVER .00127[.000050] NICKEL.
- 2 POINT OF MEASUREMENT FOR PLATING THICKNESS.
- 3 THE NOTED DIMENSIONS APPLY AT THE INTERSECTION OF THE POST AND THE HOUSING.
- 4 ON ASSEMBLIES WITH FOUR OR MORE POSITIONS, TWO POLARIZATION SLOTS. ON ASSEMBLIES WITH TWO OR THREE POSITIONS, ONE POLARIZATION SLOT.
- 5 SELECT POST TAILS FORMED TO PROVIDE CONNECTOR HOLD DOWN UNTIL SOLDERED. CONFIGURATION ACCEPTS 0.69[.027]-2.03[.080] THICK PRINTED CIRCUIT BOARD. (SEE DETAIL Z).
- 6 PARTS TO BE PACKAGED IN A SINGLE OUT TUBE.
- 7 MATERIAL: HOUSING: FLAME RETARDANT THERMOPLASTIC, COLOR - BLACK. CONTACTS: BRASS.
- 8 .00254[.000100] MATTE TIN OVER .00127[.000050] NICKEL.
- 9 HIGH TEMPERATURE CONFIGURATION
- 10 STANDOFFS NOT PRESENT ON UNDERSIDE OF ASSEMBLY
- 11 OBSOLETE PARTS: OBSOLETE CIS STREAMLINING PER D.RENAUD/D.SINISI



REMARKS	PLATING	C	B	A	NO. OF POSN	PART NO.
OBSOLETE	9 10	8	36.07 [1.420]	38.10 [1.500]	13 14	5-147060-2
	9 10	8	8.13 [.320]	10.16 [.400]	2 3	5-147060-1
OBSOLETE		1	36.07 [1.420]	38.10 [1.500]	13 14	147060-2
		1	8.13 [.320]	10.16 [.400]	2 3	147060-1

THIS DRAWING IS A CONTROLLED DOCUMENT.

DIMENSIONS: mm [INCHES]
 TOLERANCES UNLESS OTHERWISE SPECIFIED:
 0 PLC ± -
 1 PLC ± -
 2 PLC ± 0.13[.005]
 3 PLC ± -
 4 PLC ± -
 ANGLES ± -

MATERIAL: 7
 FINISH: SEE TABLE

THIS DRAWING IS A CONTROLLED DOCUMENT.
 DWG: S. SHUEY 3-5-91
 CHK: M. RIDER 2-14-92
 APPV:

Tyco Electronics Corporation
 Harrisburg, Pa 17105-3608

NAME: HDR ASSY, VERT, SINGLE ROW 2.54[.100]CL, 0.64[.025] SQ POST, WITH PLZN & RETENTIVE POSTS.
 PRODUCT SPEC: 108-25034
 APPLICATION SPEC: 114-25026
 SIZE: A1
 CAGE CODE: 00779
 DRAWING NO: 147060
 RESTRICTED TO:

WEIGHT: -
 CUSTOMER DRAWING
 SCALE: 4:1
 SHEET: 1 OF 1
 REV: B1