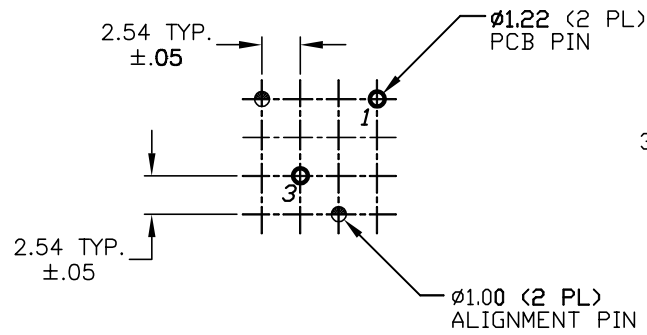
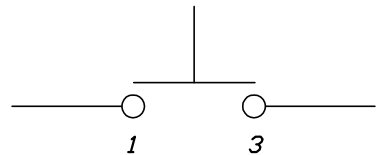
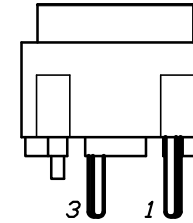
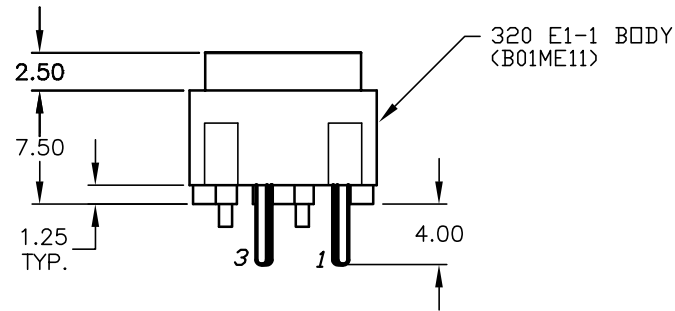
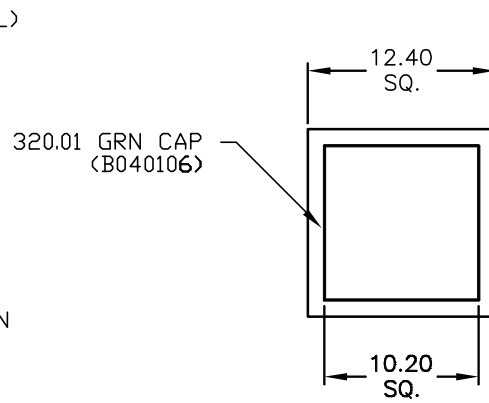


TOP VIEW -SHOW ORIENTATION OF LEGENDS  
IN RESPECT TO THE PCB PIN TERMINALS.



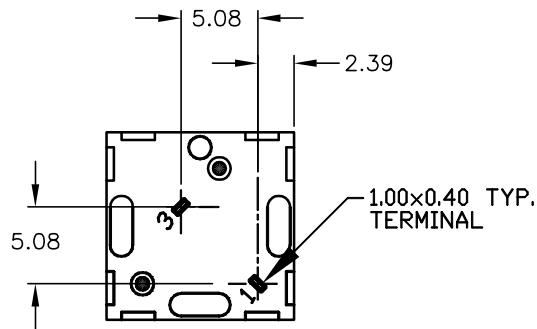
RECOMMENDED P.C.B. LAYOUT



CIRCUIT: SPST  
CONTACT CONFIGURATION

NOTES:

1. ALL DIMENSIONS IN MM
2. GENERAL TOLERANCE: X.X=±0.4  
X.XX=±0.25
3. TERMINAL NO'S FOR REFERENCE ONLY.
4. RATING: 25mA, @50VDC
5. OPERATING FORCE: 120gF
6. TRAVEL TO MAKE: 0.7mm
7. USES CONTACT DOME:  
[B050001] 320E11 CONTACT DOME



**E-SWITCH®**

|                 |         |    |         |     |
|-----------------|---------|----|---------|-----|
| TITLE           |         |    |         |     |
| 320.01 E1-1 GRN |         |    |         |     |
| SCALE           | DATE    | DR | DWG     | REV |
| 2:1             | 10/7/03 | AR | XB0046P | A   |

|      |         |                         |         |      |
|------|---------|-------------------------|---------|------|
| A    | 13512   | RELEASED FOR PRODUCTION | 10/7/03 | AR   |
| REV. | ECN No. | DESCRIPTION             | DATE    | CHKD |

THE INFORMATION CONTAINED IN THIS DOCUMENT  
IS PROPRIETARY TO E-SWITCH AND IS  
NOT TO BE COPIED OR TRANSFERRED