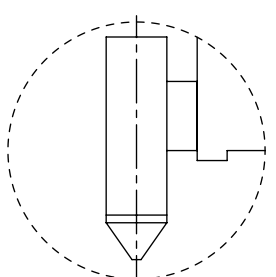
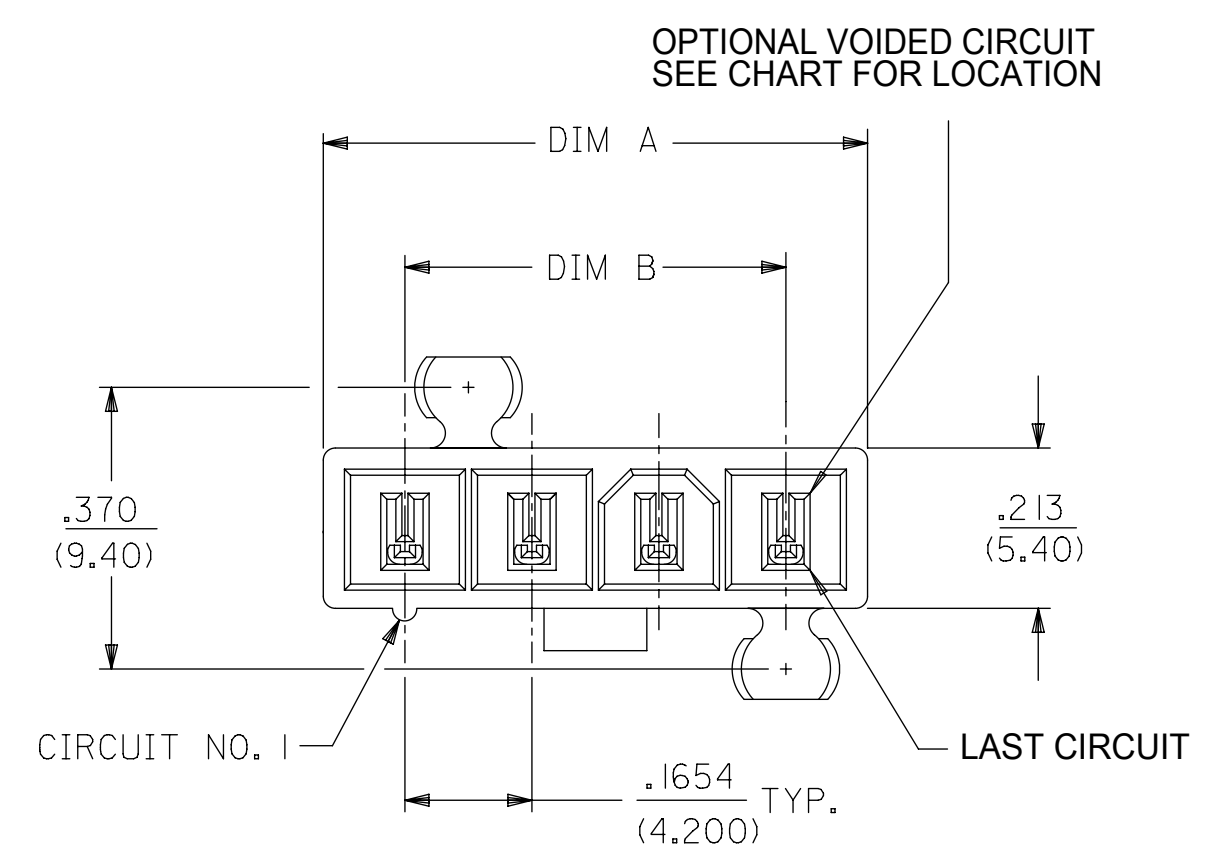
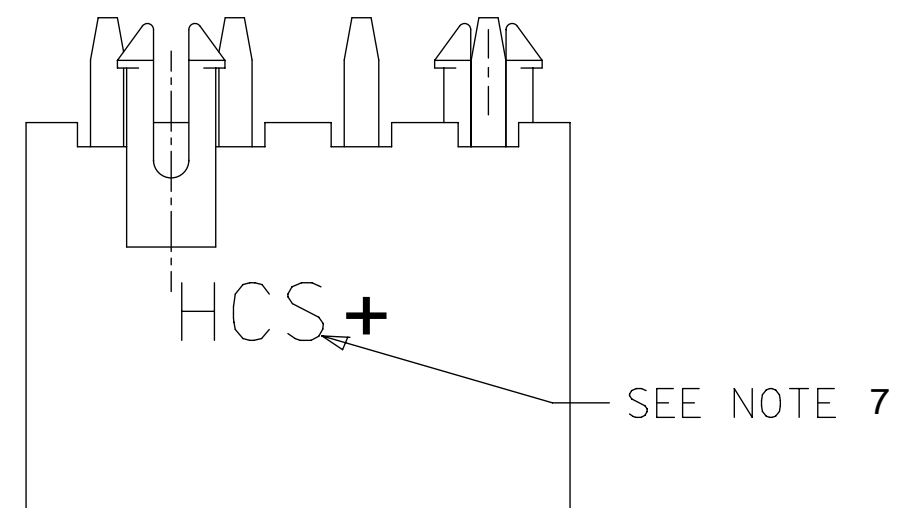
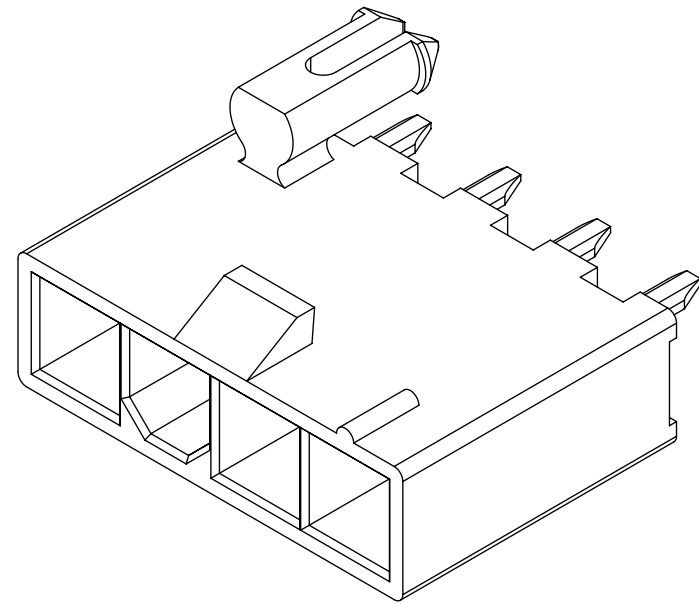


ITEM NO.	CKT SIZE	HOUSING MATERIAL	PLATING	DIM A	DIM B	VOIDED CIRCUITS
46014-0204	2	V-0	TIN	.378 (9.60)	.165 (4.20)	NONE
46014-0205		V-2				
46014-0206		V-0	GOLD			
46014-0207		V-2				
46014-0404	4	V-0	TIN	.709 (18.00)	.496 (12.60)	
46014-0405		V-2				
46014-0406		V-0	GOLD			
46014-0407		V-2				
46014-0503	5	V-0	TIN	.874 (22.20)	.661 (16.80)	
46014-0504		V-0	GOLD			
46014-0604	6	V-0	TIN	1.039 (26.40)	.827 (21.00)	
46014-0605		V-2				
46014-0606		V-0	GOLD			
46014-0607		V-2				

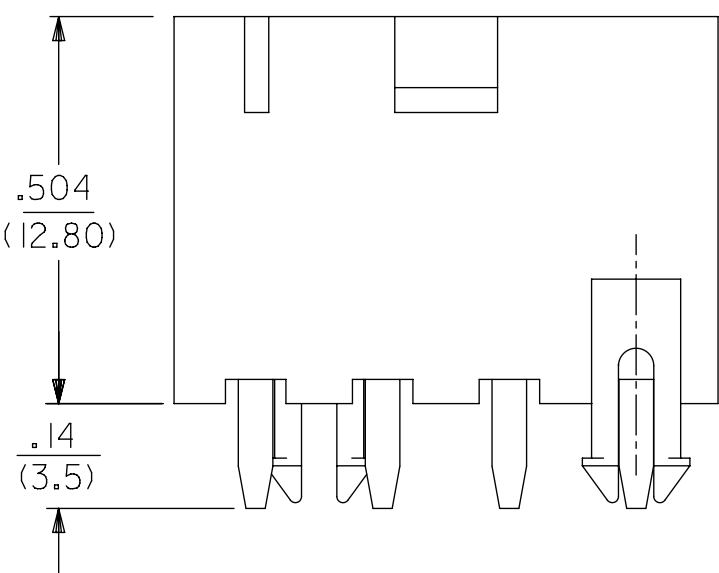
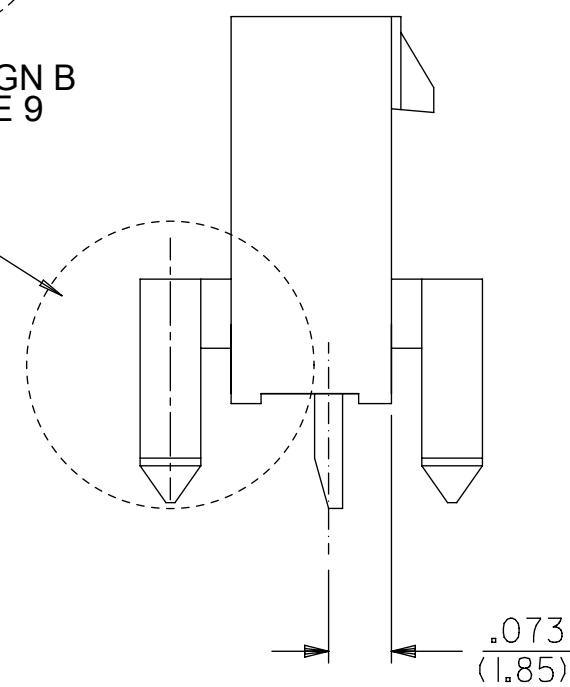
PART NUMBERS WITH VOIDED CIRCUITS						
ITEM NO.	CKT SIZE	HOUSING MATERIAL	PLATING	DIM A	DIM B	VOIDED CIRCUITS
46014-5001	5	V-0	GOLD	.874 (22.20)	.661 (16.80)	3
46014-5002	5	V-0	GOLD	.874 (22.20)	.661 (16.80)	2 & 4
46014-5003	5	V-0	TIN	.874 (22.20)	.661 (16.80)	3
46014-5004	5	V-0	TIN	.874 (22.20)	.661 (16.80)	2 & 4

- NOTES:
- MATERIALS:
HOUSING: 1 - NYLON 6/6, UL 94V-2, COLOR: NATURAL
2 - NYLON 6/6, UL 94V-0, COLOR: NATURAL
TERMINALS: COPPER ALLOY
 - TERMINAL PLATING:
1 - .000100/(.00254) MIN. MATTE TIN OVER
.000050(.00127) MIN. NICKEL OVERALL
2 - .000030/(.00076) MIN. SELECT GOLD AND
.000100/(.00254) MIN. SELECT MATTE TIN OVER
.000050/(.00127) MIN. NICKEL OVERALL
 - PRODUCT SPECIFICATION: PS-45750-001
 - PACKAGING: TRAY PACK PER PK-5566-002
 - PART MATES WITH WITH MINI-FIT JR. RECEPTACLE #5557.
 - PART IS NOT DESIGNED FOR CURRENT SHARING.
 - PARTS TO HAVE "HCS+" MARKING.
 - PART CONFORMS TO CLASS "B" REQUIREMENTS OF COSMETIC SPECIFICATION PS-45499-002.
 - 5 CIRCUIT PARTS HAVE PEG DESIGN B. ALL OTHER CIRCUIT SIZES HAVE PEG DESIGN A.
 - TEXT ON PART IS FOR REFERENCE ONLY. TEXT AND TEXT LOCATION MAY VARY DEPENDING ON PART NUMBER AND/OR TOOL.

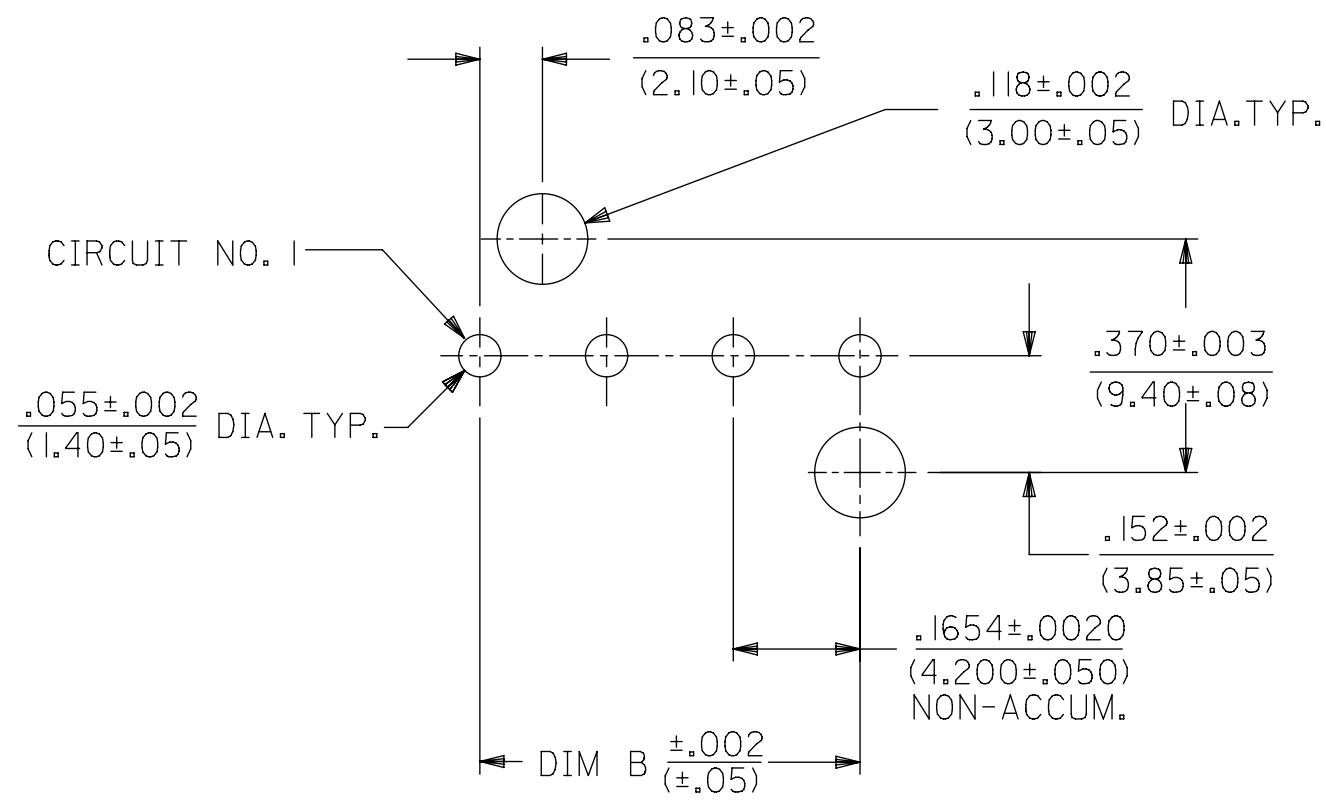


PEG DESIGN B
SEE NOTE 9

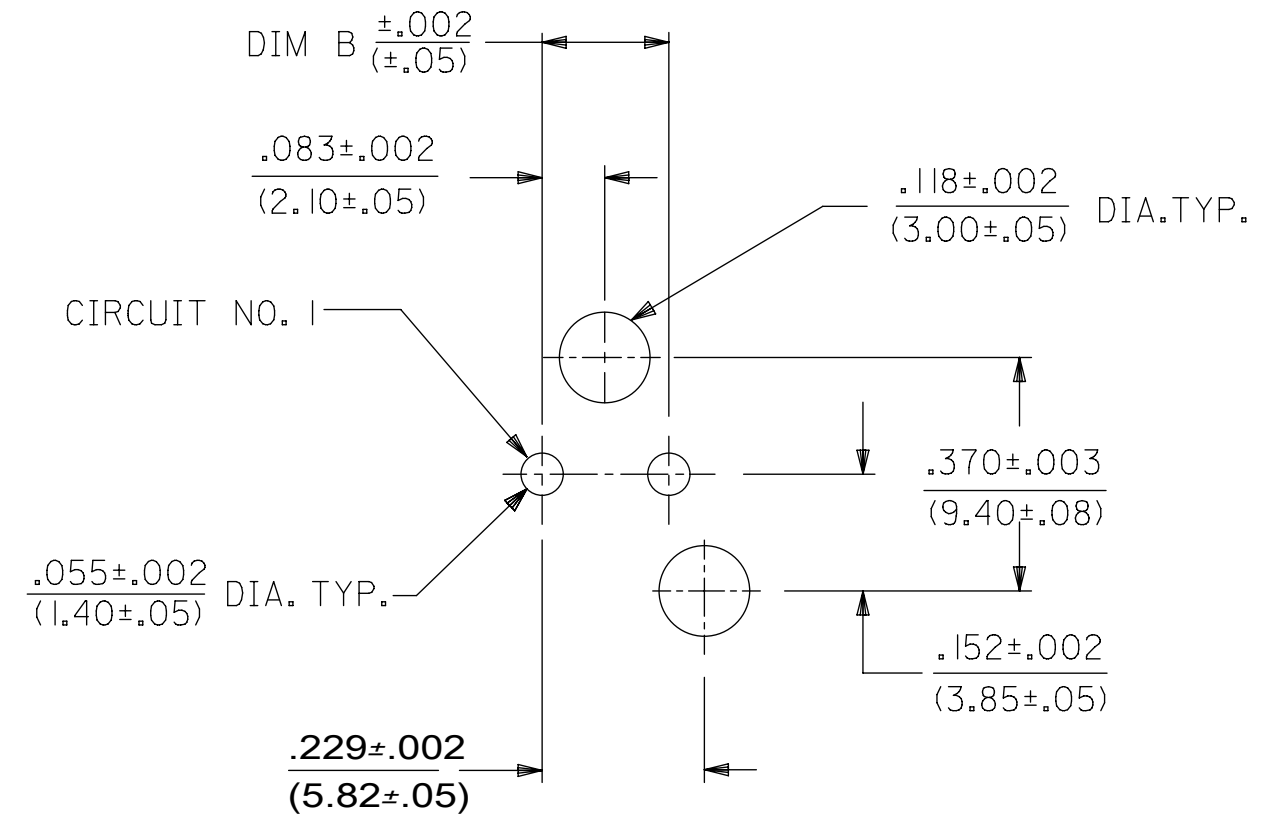
PEG DESIGN A
SEE NOTE 9



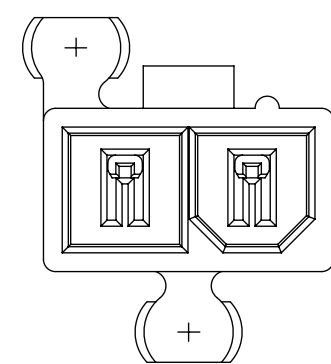
QUALITY SYMBOLS 		THIS DRAWING CONTAINS INFORMATION THAT IS PROPRIETARY TO MOLEX ELECTRONIC TECHNOLOGIES, LLC AND SHOULD NOT BE USED WITHOUT WRITTEN PERMISSION				GENERAL TOLERANCES (UNLESS SPECIFIED) DIMENSION UNITS: IN/MM SCALE: 4:1			
EC NO: 107626 DRWN: CSLAFTER CHKD: JBELL REV: APPR: FSMITH		2016/08/23 2016/09/29 2016/10/03		DRWN BY: TGREGORI DATE: 2006/04/27		CHK'D BY: JCOMERCI DATE: 2006/04/27			
ADD 46014-5004		4 PLACES ± ± 3 PLACES ± ± 0.01 2 PLACES ± 0.25 ± 0.02 1 PLACES ± 0.5 ± 0 PLACES ± ±		APPR BY: FSMITH DATE: 2012/02/02		PRODUCT CUSTOMER DRAWING		SERIES: 46014 MATERIAL NUMBER: SEE CHART CUSTOMER: GENERAL MARKET	
B7		ANGULAR TOL = 0.5		DRAFTING SIZE: C THIRD ANGLE PROJECTION		DOCUMENT NUMBER: SD-46014-001		DOC TYPE: PSD DOC PART: 000 SHEET NUMBER: 1 OF 2	



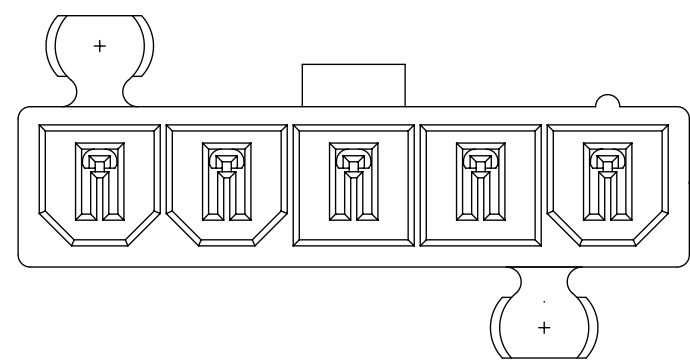
RECOMMENDED HOLE LAYOUT FOR
.070/(1.78) MAX. THICK P.C. BOARD
VIEWED FROM COMPONENT SIDE
3-6 CIRCUIT PARTS



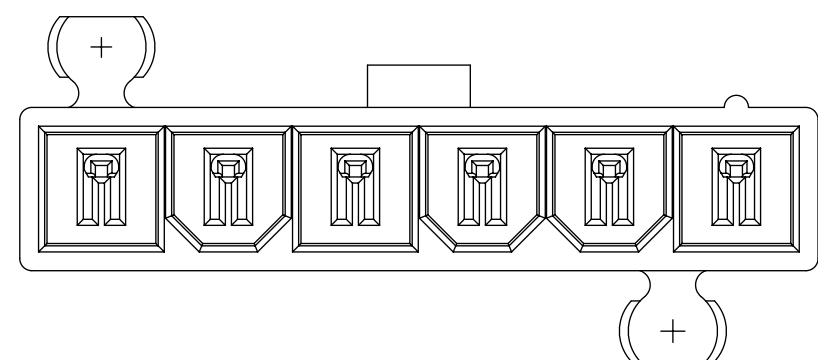
RECOMMENDED HOLE LAYOUT FOR
.070/(1.78) MAX. THICK P.C. BOARD
VIEWED FROM COMPONENT SIDE
2 CIRCUIT PARTS



POLARIZATION FOR 2 CIRCUIT



POLARIZATION FOR 5 CKT.



POLARIZATION FOR 6 CIRCUIT

QUALITY SYMBOLS		THIS DRAWING CONTAINS INFORMATION THAT IS PROPRIETARY TO MOLEX ELECTRONIC TECHNOLOGIES, LLC AND SHOULD NOT BE USED WITHOUT WRITTEN PERMISSION				DIMENSION UNITS		SCALE	
▽ = 0	▽ = 0	GENERAL TOLERANCES (UNLESS SPECIFIED)		IN/MM		4:1		molex	
▽ = 0	▽ = 0			MM INCH					
▽ = 0	▽ = 0			DRWN BY		DATE		VERTICAL HEADER ASSEMBLY SINGLE ROW, MINI-FIT PLUS HCS SERIES	
▽ = 0	▽ = 0			TGREGORI		2006/04/27			
▽ = 0	▽ = 0			CHK'D BY		DATE		PRODUCT CUSTOMER DRAWING	
▽ = 0	▽ = 0			JCOMERCI		2006/04/27			
▽ = 0	▽ = 0			APPR BY		DATE		SERIES MATERIAL NUMBER CUSTOMER 46014 SEE CHART GENERAL MARKET	
▽ = 0	▽ = 0			FSMITH		2012/02/02			
▽ = 0	▽ = 0			DRAWING SIZE		THIRD ANGLE PROJECTION		DOCUMENT NUMBER DOC TYPE DOC PART SHEET NUMBER SD-46014-001 PSD 000 2 OF 2	
▽ = 0	▽ = 0			C		C			
▽ = 0	▽ = 0			ANGULAR TOL = 0.5					
▽ = 0	▽ = 0			DRAFT WHERE APPLICABLE MUST REMAIN WITHIN DIMENSIONS					
▽ = 0	▽ = 0								